



OPERATOR'S MANUAL FOR  
*CAW-2004-0ME1*  
*CAW-2004-0ME3*  
*CAW-3004-0ME1*  
*CAW-3004-0ME3*  
*CAW-4004-0ME1*  
COLD WATER ELECTRIC WALL MOUNT  
PRESSURE WASHER



©Copyright 2018, Mi-T-M Corporation



CAUTION

RISK OF INJURY!

READ MANUAL BEFORE OPERATING!


This manual is an important part of the pressure washer and  
must remain with this unit!

Form #37-1473-E/S-013120

# TABLE OF CONTENTS

<b>INTRODUCTION</b> .....	<b>3</b>
<b>IMPORTANT SAFETY WARNINGS</b> .....	<b>4</b>
<b>FEATURES (2004 AND 3004)</b> .....	<b>8</b>
<b>FEATURES (4004)</b> .....	<b>9</b>
<b>SAFETY DECALS &amp; PLACEMENT</b> .....	<b>10</b>
<b>INSTALLATION &amp; PREPARATION</b> .....	<b>11</b>
ATTIRE: .....	11
SETUP: .....	11
POWER CORD CONNECTION: .....	11
NOZZLE REVIEW: .....	12
NOZZLE CONNECTION: .....	12
WATER SUPPLY: .....	13
UNLOADER: .....	13
THERMAL RELIEF VALVE: .....	13
PRE-START INSPECTION PROCEDURES: .....	14
<b>OPERATING INSTRUCTIONS</b> .....	<b>15</b>
PRIMING THE PUMP: .....	15
START-UP: .....	15
CLEANING WITH DETERGENTS: .....	16
SHUTDOWN: .....	16
TIME DELAY SHUTDOWN: .....	16
AUTO START OPTION (CX-0069): .....	16
<b>STORAGE &amp; MAINTENANCE</b> .....	<b>17</b>
SPECIFIC MAINTENANCE: .....	17
WINTERIZING: .....	17
STARTING UNIT AFTER EXTENDED STORAGE: .....	18
<b>WALL-MOUNT BRACKET INSTRUCTIONS</b> .....	<b>19</b>
<b>UNIT WALL MOUNTING</b> .....	<b>20</b>
<b>ELECTRIC BOX MOUNTING</b> .....	<b>21</b>
<b>WALL MOUNTING INSTRUCTIONS</b> .....	<b>22</b>
MOUNTING THE SPACER & WALL BRACKETS: .....	22
MOUNTING UNIT ON BRACKETS: .....	22
MOUNTING HOSE HANGER BRACKET: .....	22
MOUNTING ELECTRIC BOX: .....	22
<b>TROUBLESHOOTING</b> .....	<b>23</b>
<b>STATEMENT OF WARRANTY</b> .....	<b>25</b>

## **WARNING**

 **WARNING:** This product can expose you to chemicals including Lead, which is known to the State of California to cause cancer and birth defects or other reproductive harm. For more information go to [www.P65Warnings.ca.gov](http://www.P65Warnings.ca.gov)

# INTRODUCTION

Congratulations on the purchase of your pressure washer! You can be assured your pressure washer was constructed and designed with quality and performance in mind. Each component has been rigorously tested to ensure the highest level of acceptance.

This operator's manual was compiled for your benefit. By reading and following the simple safety, installation, operation, maintenance and troubleshooting steps described in this manual, you will receive years of trouble free operation from your pressure washer. The contents of this manual are based on the latest product information available at the time of publication. The manufacturer reserves the right to make changes in price, color, materials, equipment, specifications or models at any time without notice.

## **! IMPORTANT !**

**THESE PARAGRAPHS ARE SURROUNDED BY A "SAFETY ALERT BOX". THIS BOX IS USED TO DESIGNATE AND EMPHASIZE SAFETY WARNINGS THAT MUST BE FOLLOWED WHEN OPERATING THIS PRESSURE WASHER.**

**ACCOMPANYING THE SAFETY WARNINGS ARE "SIGNAL WORDS" WHICH DESIGNATE THE DEGREE OR LEVEL OF HAZARD SERIOUSNESS. THE "SIGNAL WORDS" USED IN THIS MANUAL ARE AS FOLLOWS:**

***DANGER:* INDICATES AN IMMINENTLY HAZARDOUS SITUATION WHICH, IF NOT AVOIDED, WILL RESULT IN DEATH OR SERIOUS INJURY.**

***WARNING:* INDICATES A POTENTIALLY HAZARDOUS SITUATION WHICH, IF NOT AVOIDED, COULD RESULT IN DEATH OR SERIOUS INJURY.**

***CAUTION:* INDICATES A POTENTIALLY HAZARDOUS SITUATION WHICH, IF NOT AVOIDED MAY RESULT IN MINOR OR MODERATE INJURY.**



**THE SYMBOLS SET TO THE LEFT OF THIS PARAGRAPH ARE "SAFETY ALERT SYMBOLS". THESE SYMBOLS ARE USED TO CALL ATTENTION TO ITEMS OR PROCEDURES THAT COULD BE DANGEROUS TO YOU OR OTHER PERSONS USING THIS EQUIPMENT.**



**ALWAYS PROVIDE A COPY OF THIS MANUAL TO ANYONE USING THIS EQUIPMENT. READ ALL INSTRUCTIONS BEFORE OPERATING THIS PRESSURE WASHER AND ESPECIALLY POINT OUT THE "SAFETY WARNINGS" TO PREVENT THE POSSIBILITY OF PERSONAL INJURY TO THE OPERATOR.**



Once the unit has been removed from the box, immediately write in the serial number of your unit in the space provided below.

**SERIAL NUMBER \_\_\_\_\_**

Inspect for signs of obvious or concealed freight damage. If damage does exist, file a claim with the transportation company immediately. Be sure that all damaged parts are replaced and that the mechanical problems are corrected prior to operation of the unit. If you require service, contact Customer Service at 800-648-8478.

Please have the following information available for all service calls:

1. Model Number
2. Serial Number
3. Date and Place of Purchase

# **IMPORTANT SAFETY WARNINGS**



## **ELECTRICAL PRECAUTIONS:**

### **RISK OF ELECTRIC SHOCK OR ELECTROCUTION:**

#### **WARNING**

**Serious injury or death could occur if the pressure washer is not properly grounded. Your pressure washer is powered by electricity and may cause electric shock or electrocution if not used properly.**

1. This product must be grounded. The pressure washer must be plugged into a receptacle that is protected by a GFCI. Disconnect when not in use.
2. Always be certain the unit is receiving proper voltage. Disconnect when not in use.

#### **WARNING**

**Electrical shock may occur from electrical cord.**

3. Check power cord for signs of crushing, cutting or heat damage. If replacement of cord is needed use only identical replacement parts
4. Keep all connections dry and off the ground. Do not allow electrical cords to lay in water or in such a position where water could come in contact with them.

#### **WARNING**

**Electrical shock may occur if pressure washer is not operated properly.**

5. DO NOT direct spray on or into electrical installations of any kind! This includes electrical outlets, light bulbs, fuse boxes, transformers, the unit itself, etc.
6. DO NOT allow metal components of the pressure washer to come in contact with live electrical components.
7. Never operate the pressure washer with safety guards/covers removed or damaged.

#### **WARNING**

**Serious injury or death may occur if unqualified persons attempt electrical repairs.**

8. Any electrical wiring or repairs performed on this pressure washer should be done by Authorized Service Personnel in accordance with National and Local electrical codes.
9. Before opening any electrical enclosure, always shut off the pressure washer, relieve pressure and unplug the pressure washer from the power source. Allow the pressure washer to cool down. Never assume the pressure washer is safe to work on just because it is not operating. It could restart at any time! Service in a clean, dry, flat area.

# ! IMPORTANT SAFETY WARNINGS !

## ! SPRAY PRECAUTIONS

### ! DANGER

#### RISK OF INJECTION OR SEVERE CUTTING INJURY:

Keep clear of nozzle. Do not direct discharge stream at persons or pets. When using this product, basic precautions should always be observed, including the following:

1. Keep clear of the nozzle and spray! Never put your hand, fingers or body directly over the spray nozzle.
2. Never point the high pressure spray at yourself or anyone else.
3. This product is to be used only by trained operators.
4. Always keep operating area clear of all persons.
5. Never allow children or adolescents to operate this unit.
6. SEEK EMERGENCY MEDICAL CARE if the spray appears to have penetrated the skin! DO NOT TREAT AS A SIMPLE CUT!
7. High pressure hoses should be inspected daily for signs of wear. If evidence of failure exist, promptly replace all suspect hoses to prevent the possibility of injury from the high pressure spray. If a hose or fitting is leaking, NEVER PLACE YOUR HAND DIRECTLY ON THE LEAK.
8. NEVER operate the gun with the trigger wired in the open position. To prevent accidental discharge, the trigger gun should be securely locked when not in use.
9. Do not move the unit by pulling on the hose
10. Before removing the spray nozzle or servicing the unit, ALWAYS shut off the unit and trigger the gun to release trapped pressure. (Even after you shut off the unit, there is high pressure water left in the pump, hose and gun until you release it by triggering the gun.)
11. Do not leave pressurized unit unattended. Shut off the pressure washer and relieve trapped pressure before leaving.

## ! MISCELLANEOUS SAFETY PRECAUTIONS

### RISK OF EXPLOSION OR FIRE:

#### WARNING

Serious injury or death may occur from normal sparks in the motor and electrical system.

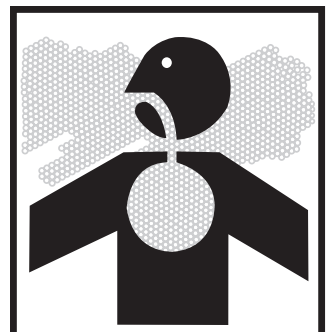
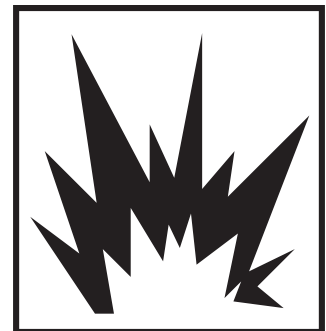
1. DO NOT operate unit in an area where flammable gas vapors may be present. An electric spark may cause an explosion or fire.
2. DO NOT spray flammable liquids. Do not spray in an area containing combustible dust, liquids or vapors.

### RISK OF ASPHYXIATION:

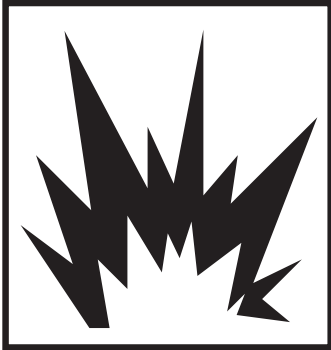
#### WARNING

Serious injury or death may occur from inhaling dangerous vapors.

1. Follow all safety instructions provided with the materials you are spraying. Use of a respirator may be required when working with some materials. Do not use this pressure washer to dispense hazardous detergents.



# ! IMPORTANT SAFETY WARNINGS !



## ! MISCELLANEOUS SAFETY PRECAUTIONS, CONT'D.

### RISK OF BURSTING:

#### **WARNING**

**Serious injury may occur from a pressure washer malfunction or exploding accessories if incorrect system components, attachments or accessories are used.**

1. Never exceed manufacturers maximum allowable pressure rating of attachments.
2. Use only manufacturer recommended repair parts for your pressure washer.

#### **WARNING**

**Serious injury or death may occur if attempting to start the pressure washer when the pump is frozen.**

3. In freezing temperatures, the unit must always be warm enough to ensure there is no ice formation in the pump. Do not start the pressure washer if it has been transported in an open or underheated vehicle without first allowing the pump to thaw.

### RISK FROM MOVING PARTS:

#### **WARNING**

**Serious injury may occur to the operator from moving parts on the pressure washer.**

1. Do not operate the unit without all protective covers in place.
2. Before servicing the pressure washer, turn the unit off, disconnect from the power source, relieve the water pressure and allow the unit to cool down. Service in a clean, dry, flat area.
3. Follow the maintenance instructions specified in the manual.

### RISK OF BODILY INJURY:

#### **WARNING**

**Serious injury can occur from loose debris being propelled at high speed from the spray gun.**

1. Always wear protective goggles when operating the unit to shield the eyes from flying debris and detergents.
2. Do not direct spray toward fragile materials such as glass. Shattering could result in serious injury.

#### **WARNING**

**Injury may occur if the operator loses balance caused by the thrust of water traveling through the spray nozzle.**

1. Stay alert-watch what you are doing. Do not operate the unit when fatigued or under the influence of alcohol or drugs.
2. Never squeeze the trigger unless securely braced. DO NOT overreach or stand on unstable support. Wet surfaces can be slippery, wear protective foot gear and keep good footing and balance at all times. Never trigger the gun while on a ladder or roof.

#### **WARNING**

### INJURY MAY OCCUR FROM THE PRESSURE WASHER.

1. Always hold on firmly to the gun/lance assembly when starting and operating the unit. Failure to do so can cause the lance to fall and whip dangerously.
2. Know how to stop the pressure washer and bleed pressures quickly. Be thoroughly familiar with controls.



# **IMPORTANT SAFETY WARNINGS**

## **DETERGENT CLEANING PRECAUTIONS**

### **RISK OF BODILY INJURY:**

#### **WARNING**

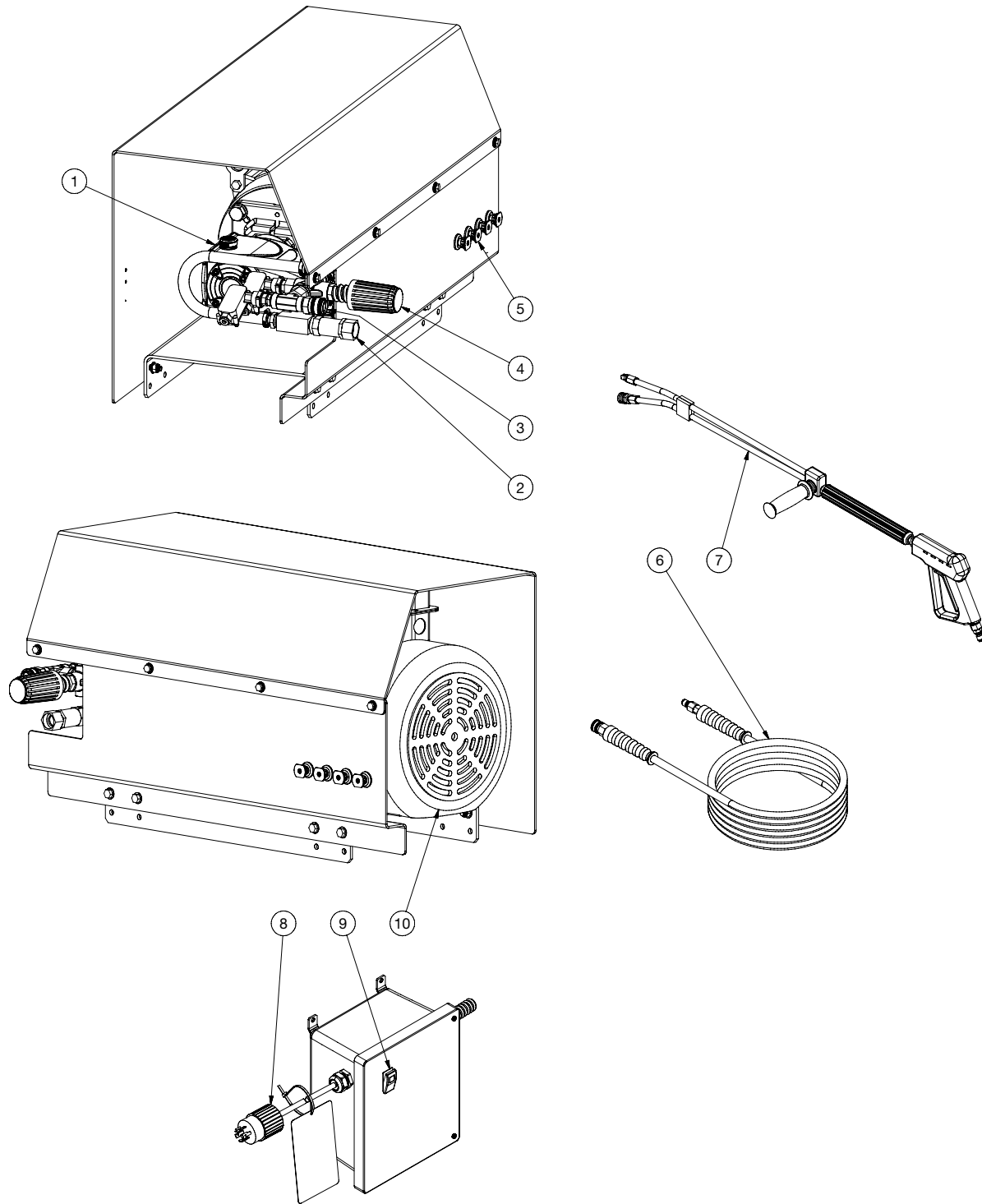
**Serious injury or death may occur from detergents contacting the skin.**

1. DO NOT use solvents, highly corrosive detergents or acid type cleaners with this pressure washer. Use only mild detergents.
2. KNOW YOUR DETERGENTS! Be prepared to tell a physician exactly what you are using in the event of an emergency. Read the Material Safety Data Sheet (MSDS) provided with your detergent and all detergent labels. Follow all appropriate instructions regarding preparation, use, safety and transportation.
3. Protective equipment such as rubber suits, gloves and respirators are advisable, especially when using cleaning detergents.
4. Keep all detergents out of the reach of children.



 **! SAVE THESE INSTRUCTIONS !** 

# FEATURES (2004 AND 3004)



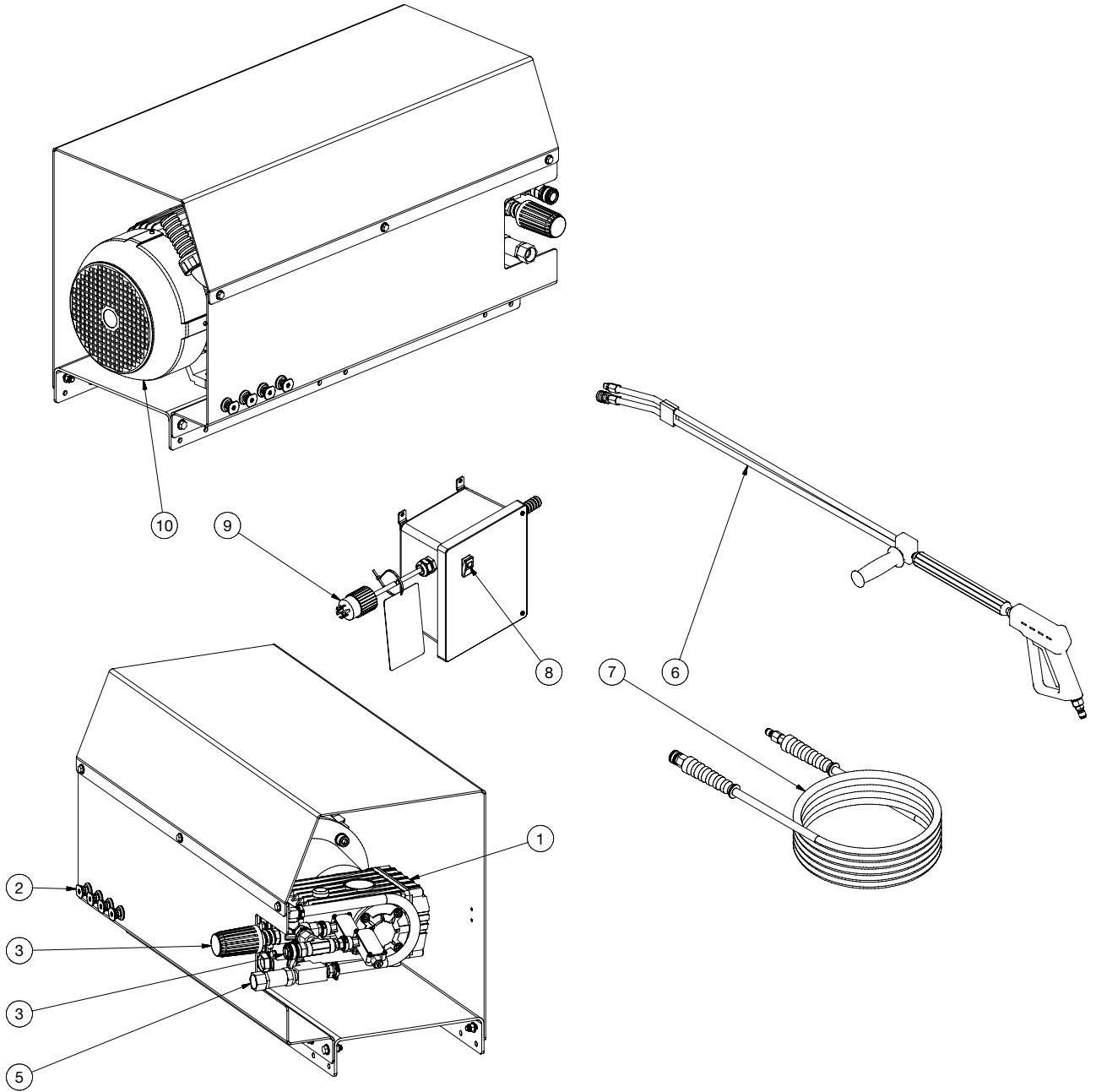
## FEATURES LISTING

1. Pump
2. Water Inlet
3. Water Outlet
4. Adjustable Unloader Knob
5. Quick Connect Nozzle
6. High Pressure Discharge Hose
7. Gun Assembly
8. Power Cord W/ GFCI - 4 Foot (1 Ph)  
Power Cord W/ Plug - 4 Foot (3 Ph)
9. ON/OFF Switch
10. Motor



# FEATURES (4004)

GC-4004 W\_REMOTE BOX FEATURES 111819 JJR



## FEATURES LISTING

- |                             |   |
|-----------------------------|---|
| 1. Pump                     | 7. High Pressure Discharge Hose   |
| 2. Quick Connect Nozzle     | 8. ON/OFF Switch  |
| 3. Adjustable Unloader Knob | 9. Power Cord W/ GFCI - 4 Foot (1 Ph)<br>Power Cord W/ Plug - 4 Foot (3 Ph) |
| 4. Water Outlet             | 10. Motor   |
| 5. Water Inlet              |   |
| 6. Gun Assembly             |   |

# SAFETY DECALS & PLACEMENT

**DO NOT REMOVE SAFETY DECALS FROM UNIT UNLESS REPLACING WITH MOST CURRENT SAFETY DECAL!!**

Decal: Caution: Risk of Electrocution (Part # 34-3708)

## ⚠️ WARNING ⚠️ ADVERTENCIA

**⚠️WARNING: Cancer and Reproductive Harm — [www.P65warnings.ca.gov/](http://www.P65warnings.ca.gov/)  
RISK OF ELECTROCUTION. DO NOT REMOVE THIS TAG.**

1. Connect only to a properly grounded outlet. Do not remove ground pin.
2. Inspect cord before using. Do not use if cord is damaged.
3. Keep all connections dry and off the ground.
4. Do not touch plug with wet hands.
5. This unit may be provided with a Ground Fault Circuit Interrupter (GFCI) built into the power cord plug. If replacement of plug or cord is needed, use only identical replacement parts. If this unit is not provided with a GFCI, this unit should only be connected to a power supply receptacle protected by a ground fault circuit interrupter.
6. Do not use an extension cord with this machine.
7. Read the operator's manual carefully before using.
8. Risk of Injection or Severe Injury to persons: Keep clear of nozzle. Do not touch or direct discharge stream at persons. This machine is to only be used by qualified operators.
9. Risk of Electrocution: Do not direct spray toward any electrical connections or outlets.
10. Risk of Explosion: Do not spray flammable liquids. Do not spray in an area containing combustible dust, liquids or vapors.
11. Risk of Injury: Always wear proper safety attire including eye protection. Do not use this product when children are present.
12. Risk of Chemical Exposure: Use only water and recommended detergents with this unit.
13. If connection is made to a potable water system, the system shall be protected against backflow.

**FAILURE TO FOLLOW THE ABOVE INSTRUCTIONS COULD RESULT IN A SEVERE ELECTRICAL SHOCK.**

**⚠️ADVERTENCIA: Peligro de cáncer y daño reproductivo — [www.P65warnings.ca.gov/](http://www.P65warnings.ca.gov/)  
RIESGO DE ELECTROCUCION. NO RETIRE ESTA CALCOMANIA.**

1. Conecte solamente a una toma corriente que está bien fundado. No quite la pata de conexión de la tierra.
2. Antes de usar inspeccione la cuerda. No use si la cuerda está dañando.
3. Mantenga las conexiones secas y apartados de la tierra.
4. No torque el enchufe con manos mojadas.
5. Este producto debe conectarse a tierra. Asegúrese de que la lavadora a presión esté equipada con un Interruptor de circuito de falla a tierra (Ground Fault Circuit Interrupter, GFCI) incorporado en el cordón de alimentación. Si no lo tiene, debe conectarse la lavadora a presión únicamente en un receptáculo que esté protegido por un Interruptor de circuito de falla a tierra. Desconéctela cuando no esté en uso.
6. No use una cuerda extensión con la unidad.
7. Antes de usar lea y entienda todas las instrucciones y el manual de operación.
8. Riesgo de inyección o lesión severa: Mantenga la boquilla despejada. No dirija el chorro hacia alguna persona o hacia usted.
9. Riesgo de electrocución: No dirija el rociado hacia conexiones o toma corrientes electricos.
10. Riesgo de explosión: No dirija el chorro hacia conexiones electricos. Tomas de corrientes o lineas de alimentacion de corriente.
11. Riesgo de lesión: Mientras se opera esta unidad se recomiendan antiparras y protección apropiada. No use esta unidad cerca de niños.
12. Riesgo de exposición química: Use usted solamente agua y detergente con esta unidad.
13. Si la conexión se hace a un sistema de agua potable, el sistema será protegido contra la expulsión.

**EL NO SEGUIR LAS INSTRUCCIONES DE ARRIBA PUEDE RESULTAR EN UN CHOQUE ELECTRICO GRAVE.**

## ⚠️ CAUTION ⚠️ PRECAUCION

1. To Reduce Risk of Injury: Read and understand the operation manual and all instructions before using.
2. Stay Alert: Hold onto gun/wand firmly with both hands to avoid dangerous kickbacks.
3. Do not overreach or stand on unstable support. Keep good footing and balance at all times.
4. Inspect all hoses for kinking, cuts and leaks.
5. Risk of Eye Injury: Always wear eye protection.
6. Protect pump from freezing.
7. Always turn on water supply to pump before starting.
8. Engage trigger safety lock-off when not in use.
9. For indoor use only. Store indoors.
10. If connected to a circuit protected by fuses, use time-delay fuses only.
11. Servicing is to be done with the unit disconnected from the supply circuit.

**CONNECT TO AN INDIVIDUAL  
BRANCH CIRCUIT ONLY.**

34-3708/040518

1. Para Reducir el Riesgo de que Ocurran Lesiones: Lea y entienda el manual de operacion y todas las instrucciones ante de usar el producto.
2. Permanezca Alerta: Sostenga la pistola varilla firmemente con ambas mano para evitar golpes de retroceso peligrosos.
3. No se extienda demasiado o se pare en un apoyo inestable. Mantenga una buena posicion y balance todo el tiempo.
4. Inspeccione las mangueras por dobleces, cortes y pérdidas.
5. Riesgo de que Ocular Lesions: Use siempre proteccion ocular.
6. Proteja la bomba de la congelacion.
7. Antes de comenzar. Abra siempre el suministro de agua a la bomba.
8. Coloque el seguro del gatillo en la posicion apagado cuando no este usando el producto.
9. Para uso interior. Almacene bajo techo.
10. Si se conecta a un circuito protegido por fusibles, use fusibles con retardo solamente.
11. Para hacer los servicios, necesita desconectar la unidad del circuito de suministro.

**CONECTE A UNA RAMA INTERRUPTOR  
INDIVIDUAL SOLAMENTE.**



# INSTALLATION & PREPARATION

## ATTIRE:

Proper attire is essential to your safety. It is advised to utilize whatever means necessary to protect eyes, ears, and skin. Additional safety attire (such as respiratory mask) may be required when using detergent cleaning agents with this washer.

## SETUP:



### **WARNING**

#### **RISK OF EXPLOSION!**

**DO NOT OPERATE UNIT IN AN AREA WHERE FLAMMABLE GAS VAPORS MAY BE PRESENT. AN ELECTRIC SPARK MAY CAUSE AN EXPLOSION.**

#### **RISK OF BURSTING!**

**DO NOT STORE / OPERATE UNIT IN A FREEZING ENVIRONMENT.**

1. This unit should only be placed on a level surface to ensure proper lubrication for the water pump while operating. NEVER spray water directly on the unit!
2. Do not place unit in an area:
  - a. where there is evidence of oil or gas leaks.
  - b. where flammable gas vapors may be present.
3. Do not allow the unit to be exposed to rain, snow or freezing temperatures. If any part of the unit becomes frozen; excessive pressure may build up in the unit which could cause it to burst, resulting in possible serious injury to the operator or bystanders.
4. Before each use, be certain the oil level is in the center of the sight glass. If low, fill with pump oil. DO NOT OVERFILL!



### **DANGER**

#### **RISK OF ELECTROCUTION!**

**THIS UNIT MUST BE CONNECTED TO A PROPERLY GROUNDED OUTLET.**

**WALL MOUNTING INSTRUCTIONS: SEE PAGE 20-22.**

## POWER CORD CONNECTION:

1. Make certain the motor switch is in the "OFF" position.
2. Ensure electrical supply is identical to the specifications listed on the pressure washer data plate.
3. **GROUNDING INSTRUCTIONS:** This product must be grounded. If it should malfunction or breakdown, grounding provides a path of least resistance for electric current to reduce the risk of electric shock. This product is equipped with a cord having an equipment-grounding conductor.
4. **DANGER:** Improper connection of the equipment-grounding conductor can result in a risk of electrocution. Check with a qualified electrician or service personnel if you are in doubt as to whether the outlet is properly grounded.
5. **GROUND FAULT CIRCUIT INTERRUPTER PROTECTION:**
  - a. This pressure washer should only be connected to a receptacle that is protected by a Ground Fault Circuit Interrupter (GFCI) to comply with the National Electric Code (NFPA 70) and to provide additional protection from the risk of electric shock.



### **WARNING**

#### **RISK OF ELECTROCUTION!**

**TO REDUCE THE RISK OF ELECTROCUTION, KEEP ALL CONNECTIONS DRY AND OFF THE GROUND.**

# INSTALLATION & PREPARATION

## NOZZLE REVIEW:

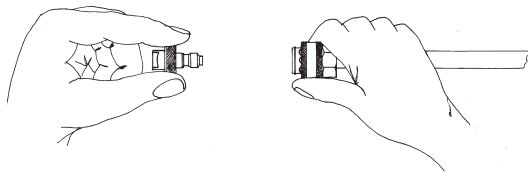
Various nozzles may be quick-connected into the end of the wand to change the spray pattern or use the detergent feature. When using Quick Connects (Q.C.), be certain the connection is securely locked. If not, the high pressure water may shoot the nozzle from the wand, causing severe injury or serious damage. To determine spray fan, refer to the actual number stamped on the nozzle. The first two digits indicate the spray fan in degrees, i.e.; 00=0°, 15=15°, 25=25°, 40=40°, 65=detergent/low pressure.

- The 0° nozzle (RED):** This is a blasting nozzle. It delivers a very concentrated stream of water. Be cautious when using the straight narrow stream. It is not recommended for use on painted or wood surfaces, or items attached with adhesive backings. Uses: Removing weeds from sidewalk cracks, stubborn stains from concrete, masonry, aluminum and steel, caked mud from equipment, and cleaning lawn mower undersides.
- The 15° nozzle (YELLOW):** This is a chiseling nozzle. The spray should be directed at a 45° angle to the surface and used like a scraper to remove paint, grease and dirt. Uses: Surface preparation (removing mildew stains and paint chips).
- The 25° nozzle (GREEN):** This is a flushing nozzle. This pattern is best suited for flushing dirt, mud, and grime. Uses: Wet sweeping leaves from walks, curbs and driveways, cleaning stable floors, washing swimming pool bottoms, degreasing engines.
- The 40° nozzle (WHITE):** This is a wash nozzle. This wide spray pattern disperses the water pressure over a large area and is recommended for moderate washing. Uses: Washing aluminum siding, cleaning windows, washing vehicles, spraying sidewalks, driveways, and patios.
- The 65° nozzle (BLACK):** This is a low pressure detergent application nozzle. This broad spray pattern distributes solution over vast areas under low pressure. Uses: Detergent application, misting or rinsing.

## NOZZLE CONNECTION:

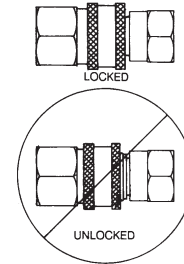
- Be certain the trigger gun is locked in the "OFF" position. See **WARNING**, right.
- The nozzle assembly should be disconnected from the gun/wand assembly at this by retracting the locking ring on the quick-connect fitting to remove the nozzle.

QUICK-CONNECT FITTING

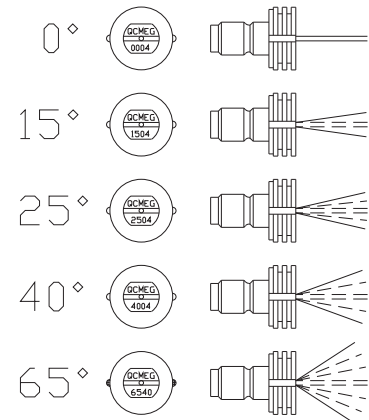


**⚠ WARNING**  
**RISK OF INJECTION CAUSING SEVERE INJURY!**  
**NEVER LOOK DIRECTLY AT THE NOZZLE ORIFICE UNLESS IT IS DISCONNECTED FROM THE GUN/WAND ASSEMBLY!**

### CONNECTION OF Q.C. NOZZLES



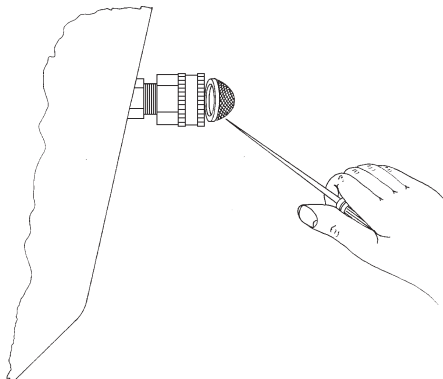
### QUICK-CONNECT (Q.C.)



**⚠ WARNING**  
**RISK OF SEVERE INJURY!**  
**THE TRIGGER GUN SHOULD ALWAYS BE LOCKED IN THE OFF POSITION WHEN NOT IN USE!**

# INSTALLATION & PREPARATION

## CHECK WATER INLET STRAINER



## WATER SUPPLY:

1. Select a water supply hose which is a quality grade of garden hose measuring at least 3/4" ID and no longer than 50 feet.
2. Check the water inlet strainer to ensure it is clean and free of any obstructions. Periodic cleaning of the water strainer will help prevent pump problems. As a strainer becomes obstructed, it restricts proper flow of water to the pump. This can cause cavitation which will result in premature failure of pump packings and valves. Using a screw driver, remove the screen; clean or replace if necessary.
3. Connect the hoses.
  - a. Connect one end of the water supply hose to the water inlet of the unit.
  - b. Connect the other end of the hose to your pressurized water supply.

*NOTE: Do not use a non-pressurized water supply (i.e. from a well or pond) with this unit.*

- c. Connect the high pressure discharge hose to the water outlet of the unit.
4. Follow the incoming water requirements listed below:
    - a. Water pressure must be a minimum of 20 pounds per square inch (PSI) and a maximum of 125 PSI. (A typical outdoor faucet will generally supply this PSI if turned completely "ON".)
    - b. Incoming GPM must be approximately one gallon more than the outgoing GPM stated on the pressure washer nameplate. (You can check GPM by timing how long it takes to fill a 5 gallon container.)
    - c. Incoming water temperature must not exceed 165°F (74°C). Excessive pump damage may result if the water temperature exceeds this acceptable level.
  5. Never allow the unit to operate without the incoming water line attached and the water supply turned all the way on.



## **CAUTION**

**RISK OF UNIT DAMAGE!**  
**DO NOT OVERTIGHTEN THE UNLOADER. BREAKAGE WILL RESULT IN IMMEDIATE LOSS OF WATER PRESSURE AND COSTLY REPAIRS.**

## UNLOADER:

The unloader valve on your machine is equipped with an adjustment knob to adjust the pressure. Should less pressure be required, simply turn the adjustment knob counterclockwise. To set back to maximum, turn adjustment knob completely clockwise. **DO NOT OVERTIGHTEN!**

## THERMAL RELIEF VALVE:

To ensure the water temperature does not exceed acceptable levels, never allow the pressure washer to operate in the bypass mode (with the unit running and the trigger closed) for more than three minutes.

A thermal relief valve has been added to this unit to protect the pump. This valve will open and release water if the water temperature in the pump has exceeded 190° F (87°C). This will allow fresh, cool water to enter the system, preventing premature failure of pump packings.

# INSTALLATION & PREPARATION

## PRE-START INSPECTION PROCEDURES:

Before starting the unit, perform the following procedures:

1. Inspect electrical cord for cuts. If a cut is found, DO NOT TOUCH OR USE ELECTRICAL CORD! Replace cord before starting the unit.
2. Check the oil level in the pump.
3. Inspect the inlet water strainer. Clean or replace if necessary. See "Water Supply", #2, pg. 12.
4. Check all hose connections to ensure they are securely tightened. See "Water Supply", #3, pg. 12.
5. Inspect for system water leaks and oil leaks. Be sure that all damaged parts are replaced and that the mechanical problems are corrected prior to operation of the unit. If service is needed, contact Customer Service.
6. Inspect high pressure hose for kinking, cuts or leaks. If a cut or leak is found, DO NOT USE HOSE! Replace hose before starting unit. Be sure that all damaged parts are replaced and that the mechanical problems are corrected prior to operation of the unit. If you need service, contact Customer Service.

## END OF PREPARATION INSTRUCTIONS



**THE FOLLOWING PAGES CONTAIN OPERATING AND MAINTENANCE  
INSTRUCTIONS**

**DO NOT ATTEMPT TO OPERATE THIS PRESSURE WASHER UNTIL YOU HAVE  
READ AND UNDERSTOOD ALL SAFETY PRECAUTIONS AND INSTRUCTIONS  
LISTED IN THIS MANUAL.**

**INCORRECT OPERATION OF THIS UNIT CAN CAUSE SERIOUS INJURY!!**

**DO NOT ALTER OR MODIFY THIS EQUIPMENT IN ANY MANNER!**

# OPERATING INSTRUCTIONS

## PRIMING THE PUMP:

1. It is essential to prime the pump on initial start-up and each time the water supply is disconnected from the unit after initial use.
2. Lay the high pressure hose out to remove any loops. Water flow will constrict the hose, creating tight loops if the hose is not straight.
3. Securely connect the gun assembly to the high pressure hose.

*NOTE: The nozzle should NOT be connected to the gun assembly at this time. See "Nozzle Connection" pg. 13.*

4. With the trigger gun locked in the "OFF" position, turn the water supply completely on. Pointing the gun in a safe direction, unlock the trigger gun and squeeze the trigger.
5. Low pressure water will begin flowing from the hose/gun assembly. This allows the unit to prime and purge any air from the system. The unit is primed when water flow is uninterrupted by air.
6. Once the unit is primed, release the trigger and lock the gun in the "OFF" position. Securely connect the nozzle assy. (See "Nozzle Connection" pg. 13)

---

## START-UP:

1. Refer to the "Safety Precautions" pgs. 4-7 before starting the unit.
2. Locate the Safety Decals on your unit and heed their warnings.
3. With the gun locked in the "OFF" position, point the trigger gun away from yourself or anyone else. Ensure water supply is turned completely on.
4. Disengage the safety lock-off on the gun and squeeze the trigger. Low pressure water will begin flowing from the nozzle.
5. Before starting the unit, brace yourself as the gun will kickback from the high pressure created by the pump once the unit has started.
6. Move the switch to the "ON" position.
7. Once the unit is turned on, perform the following procedures with the gun open:
  - a. Inspect for system water leaks and oil leaks. If a leak is found, TURN UNIT OFF IMMEDIATELY! Be sure that all damaged parts are replaced and that the mechanical problems are corrected prior to operation of the unit. If you require service, contact Customer Service.
  - b. Inspect high pressure hose for kinking cuts and leaks. If a cut or leak is found, DO NOT TOUCH HOSE AT CUT OR LEAK!!! TURN UNIT OFF IMMEDIATELY! Replace hose before restarting the unit. Be sure that all damaged parts are replaced and that the mechanical problems are corrected prior to operation of the unit. If you require service, contact Service.
  - c. Inspect electrical cord for cuts. If a cut is found, DO NOT TOUCH OR USE ELECTRICAL CORD! Replace cord before starting the unit.
8. Trigger the gun several times. **Be certain** to LOCK the trigger gun in the "OFF" position whenever changing the nozzle. NEVER look directly into the nozzle! High pressure water creates a risk of severe injury!
9. Do not allow unit to operate in bypass mode (with trigger closed) for more than three minutes without triggering the gun. Failure to follow this simple rule can cause premature failure of pump packing seals, resulting in costly pump repair.
10. Because your pressure washer delivers a high pressure spray and a variety of spray patterns, there are many cleaning jobs that can be done without the use of detergents. If a cleaning agent is required, see "Cleaning With Detergents" pg. 17 for the correct procedures.



### WARNING

#### RISK OF INJECTION CAUSING SEVERE INJURY!

-KEEP CLEAR OF NOZZLE!  
NEVER PLACE HAND OR FINGERS IN FRONT OF NOZZLE!  
-DO NOT DIRECT DISCHARGE STREAM AT PEOPLE OR PETS!  
-BE CERTAIN THE NOZZLE IS SECURELY CONNECTED TO THE WAND TO PREVENT AN ACCIDENTAL DISCHARGE!



### CAUTION

RISK OF DAMAGE.  
DONOTALLOWSPRAYPATTERN TO REMAIN ON A FIXED AREA FOR AN EXTENDED PERIOD OF TIME. POSSIBLE DAMAGE MAY OCCUR TO THE AREA.

# OPERATING INSTRUCTIONS

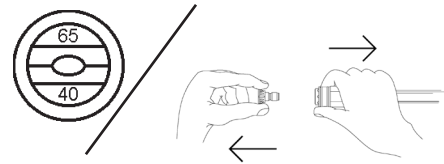
## CLEANING WITH DETERGENTS:

1. Refer to "Detergent Cleaning Precautions" pg. 7 before working with detergents. Be certain to wear protective safety attire as stated on pg. 10.
2. Quick connect the detergent injector between the unit outlet and the high pressure hose.
3. Prepare detergent solution according to label directions. Never pump acids, alkaline, abrasive fluids or solvents through the unit.
4. Your injector is equipped with an adjustment knob, you may adjust the amount of detergent desired by turning the knob completely counterclockwise to set at the maximum siphon rate.
5. Immerse the detergent strainer into the detergent solution to allow detergent to siphon.
6. Turn the pressure control handle counterclockwise to lower pressure and divert water flow through the soap nozzle.

**NOTE:** *This injection system is designed to apply detergents under low pressure only. It will not allow detergent solutions to be introduced into the system in high pressure mode.*

7. To apply solution; unlock the trigger gun and squeeze the trigger. In a few moments a detergent/water mixture will exit the low pressure nozzle. Start spraying the lower portion of the surface being cleaned and move up, using long overlapping strokes. Applying from the bottom up helps avoid streaking. Allow to soak briefly. **DO NOT** allow detergent solution to dry on the surface. (Avoid working on hot surfaces or in direct sunlight to minimize the chances of the detergent drying, which may result in damaging painted surfaces.) Be certain to rinse a small section at a time.
8. When you finish washing, rinse by simply turning the variable pressure control handle clockwise. It will take about 30 seconds to purge all detergent from the line. For best rinsing results, start at the top and work down.
9. Siphon a gallon of water through the low pressure detergent injection system after each use. This prevents the possibility of corrosion or detergent residue causing mechanical problems during the next use.

## QUICK CONNECT DETERGENT



## SHUTDOWN:

1. Move the switch to the "OFF" position to turn unit off.
2. Turn the water supply off.
3. Pointing the gun in a safe direction, trigger the gun momentarily to relieve any trapped pressure.
4. Once pressure is relieved, disconnect the nozzle.
5. Disconnect the unit from the power source.
6. Disconnect and drain gun, wand and hoses.
7. Wipe unit clean and store with gun, wand and hoses in a safe area.

## TIME DELAY SHUTDOWN:

Once the spray gun trigger is released, the shutdown timer becomes activated. The machine will continue to run in bypass mode until the timer reaches its preset time, 2-3 minutes. When that time is reached, the machine shuts down. To reset, push the pump switch to the "ON" position.

## AUTO START OPTION (CX-0112):

Units equipped with CX-0069 Option, Auto Start, will operate similar to the standard time delay shutdown with the exception that the unit will automatically restart when the gun trigger is engaged. The gun trigger lock should always be locked in the off position when not in use. This unit is to be shut down after use by turning the on/off switch on the control panel to the off position.



# STORAGE & MAINTENANCE

## SPECIFIC MAINTENANCE:

**PUMP:** The pump oil must be changed after the first 25 hours of operation. Once the initial oil change has been completed, it is recommended the oil be changed every 3 months or 250 hour intervals. If oil appears dirty or milky, changes may be required at a greater frequency. Use specified pump oil and fill only to the center of the oil sight glass. **DO NOT OVERFILL!**

**NOZZLES:** Water flow through the spray nozzle will erode the orifice, making it larger, resulting in a pressure loss. Nozzles should be replaced whenever pressure is less than 85% of the maximum. The frequency of replacement will depend upon such variables as mineral content in the water and number of hours the nozzle is used.

**QUICK COUPLERS:** There is an o-ring seal inside the female quick coupler. This o-ring will deteriorate or, if the unit is allowed to pump without the high pressure hose or nozzle attached, the o-ring may be blown out occasionally. Simply insert a replacement o-ring to correct the leak. (Additional o-rings can be purchased from your dealer.)

---

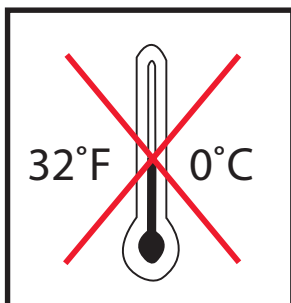
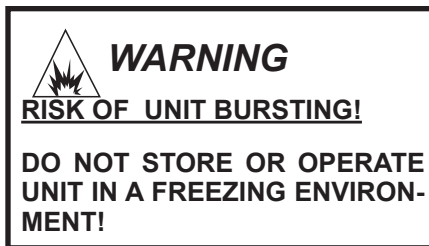
## WINTERIZING:

For storage and transportation purposes in subfreezing ambient temperatures, it will be necessary to winterize this unit. This unit must be protected to the lowest incurred temperature for the following reasons:

1. If any part of the pumping system becomes frozen; excessive pressure may build up in the unit which could cause the unit to burst resulting in possible serious injury to the operator or bystanders.
2. The pumping system in this unit may be permanently damaged if frozen. **FREEZE DAMAGE IS NOT COVERED BY WARRANTY.**

If you must store your unit in an area where the temperature may fall below 32°F, you can protect your unit by following the procedure outlined below.

1. Gather the following items:
  - a. Two 5 gallon containers.
  - b. One gallon of antifreeze. (The manufacturer recommends an environmentally safe antifreeze.)
  - c. Water supply.
  - d. Three foot hose, 1/2-3/4 I.D. with a 3/4 inch male garden hose fitting.
2. Procedure:
  - a. To start winterizing, unit must be run and primed according to the "Start-up Procedures" listed on page 16.
  - b. After running and priming, shut off the unit and water supply.
  - c. Relieve system pressure by pointing the trigger gun in a safe direction and squeezing the trigger until water flow ceases to exit the nozzle.
  - d. Lock the trigger gun in an OFF position and remove the nozzle.
  - e. Remove the water supply hose from the unit and attach the 3 foot hose securely to the inlet connection.
  - f. Shut off the detergent injector if applicable.
  - g. Fill one 5 gallon bucket with water.
  - h. Holding the 3 foot hose in an upright position, completely fill the hose with water. Then plug the hose outlet with your thumb or finger. Place the plugged end into the 5 gallon bucket of water.
  - i. Turn the unit on. Trigger the gun several times until all the air is worked out of the system (unit is primed).



# STORAGE & MAINTENANCE

*NOTE: Proper winterizing is based on the recommended manufacturer's instructions listed on the "Protection Chart" shown on the back label of most antifreeze containers.*

- j. With the trigger gun held open, siphon enough water out of the 5 gallon bucket until there is just enough water left to mix with the antifreeze.
  - k. Point the wand into the empty container and start the unit.
  - l. Trigger the gun until the antifreeze begins to exit the wand. Release the trigger for 3 seconds, then trigger the gun for 3 seconds. Continue cycling the gun several times until all the antifreeze mixture is siphoned from the container.
  - m. Detach the 3 foot hose from the unit and drain any excess antifreeze back into the 5 gallon container.
  - n. Disconnect the hose/gun/wand assembly from the unit and drain any excess antifreeze back into the 5 gallon container.
  - o. Store the hose, gun and wand with the unit in a safe area.
  - p. Store antifreeze solution for next use or dispose of according to state EPA laws.
3. Optional Procedure:
- a. Shut the unit off.
  - b. Relieve system pressure by pointing the trigger gun in a safe direction and squeezing the trigger until water flow ceases to exit the nozzle.
  - c. Disconnect and drain the hose, gun and wand.
  - d. Start the unit and allow it to run until all the water exits the unit. Once the water has stopped flowing from the unit, turn off.

*NOTE: When using this procedure, caution should be used as ice chips can form from drops of water which could cause the unit to burst if starting before completely thawed.*

---

## STARTING UNIT AFTER EXTENDED STORAGE:

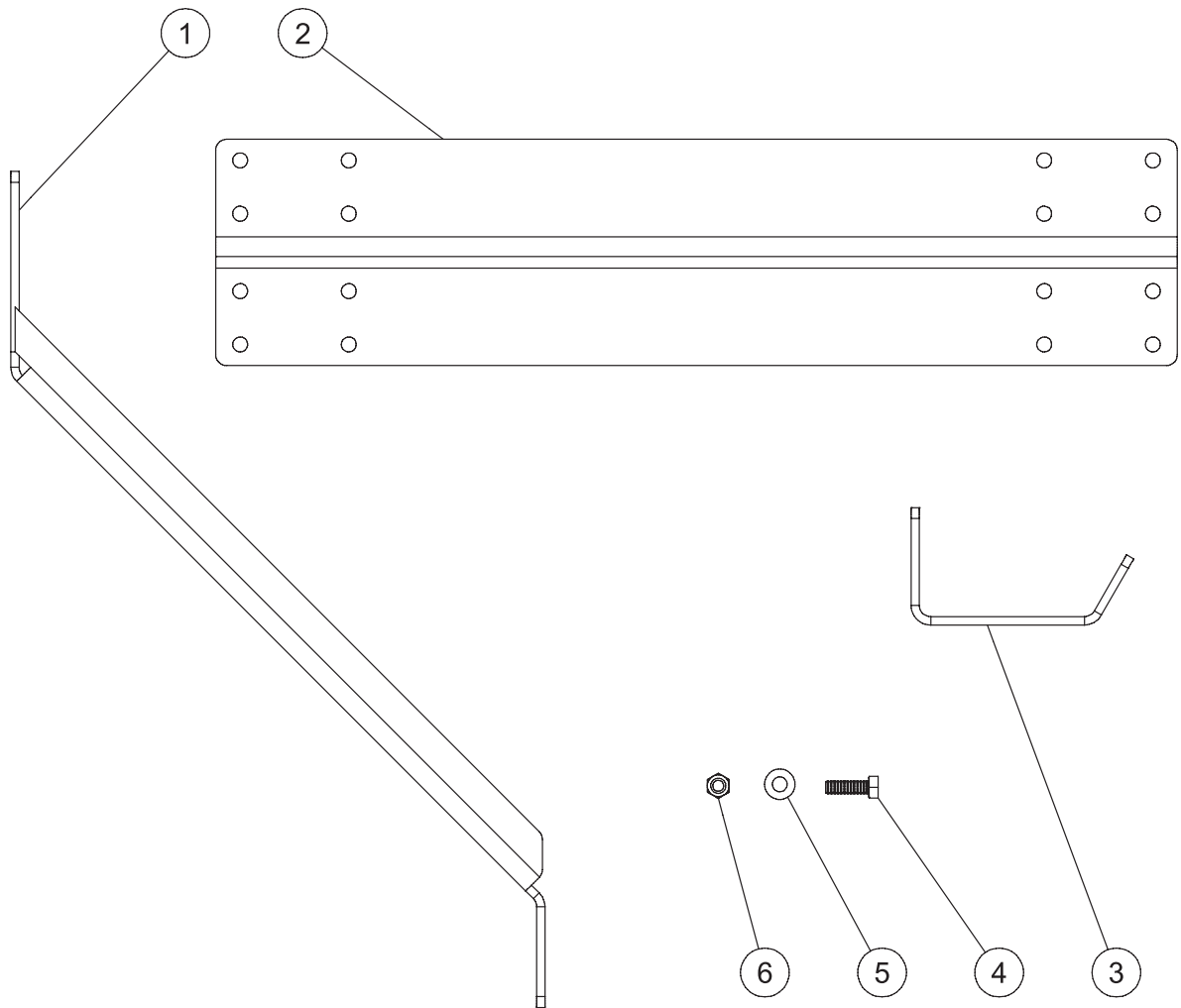
1. BE CERTAIN the unit is NOT plugged into the power source.
2. Prior to restarting the unit, thaw out any possible ice from the wand, gun, hose and unit.
3. After following all "PREPARATION" instructions, start the unit momentarily and immediately turn "OFF" to ensure all parts are lubricated before operation.

# WALL-MOUNT BRACKET INSTRUCTIONS

## PLEASE READ ENTIRE INSTALLATION INSTRUCTIONS BEFORE INSTALLATION!

Listed below are the contents of the Wall-Mount Bracket Kit. The included bolts (4), nuts (5) and washers (6) are for mounting the support brackets to the unit frame only. **Due to the unique circumstances of each installation, the installer will be responsible for the hardware to secure the unit to the mounting surface.**

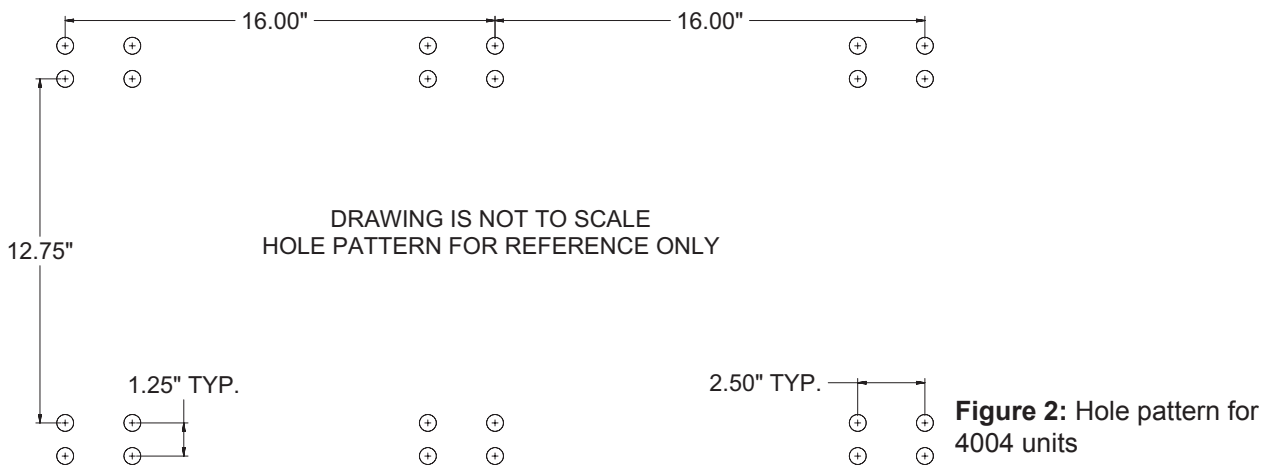
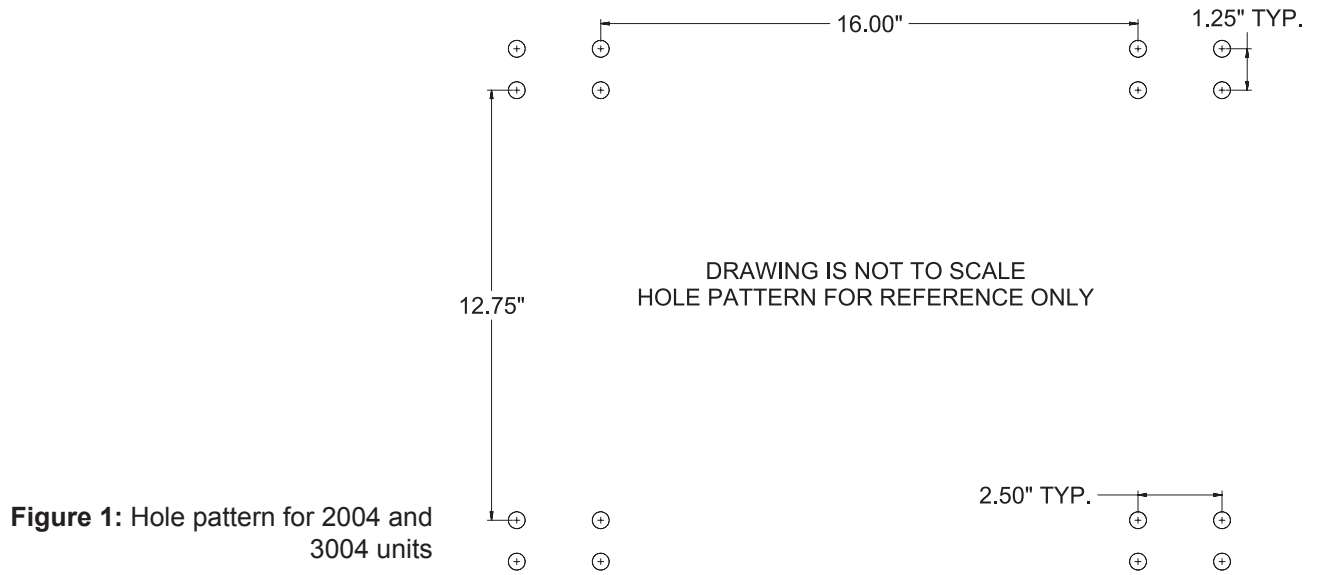
The wall mount kit is to be attached to a wall or structure capable of handling a 750-pound minimum weight load, such as a 4 x 4 studded wood structure or minimum 1/4 inch steel studded structure and/or framing. A licensed building contractor should perform mounting of the bracket to a wall to assure proper strength of support.



ITEM	PART #	DESCRIPTION	QTY
1	13-0237	WALL MOUNT BRACKET	2
2	13-0238	SPACER BRACKET	1
3	13-0240	HOSE HANGER BRACKET	2
4	27-0067	BOLT	8
5	28-0003	WASHER	16
6	30-0157	NUT	8

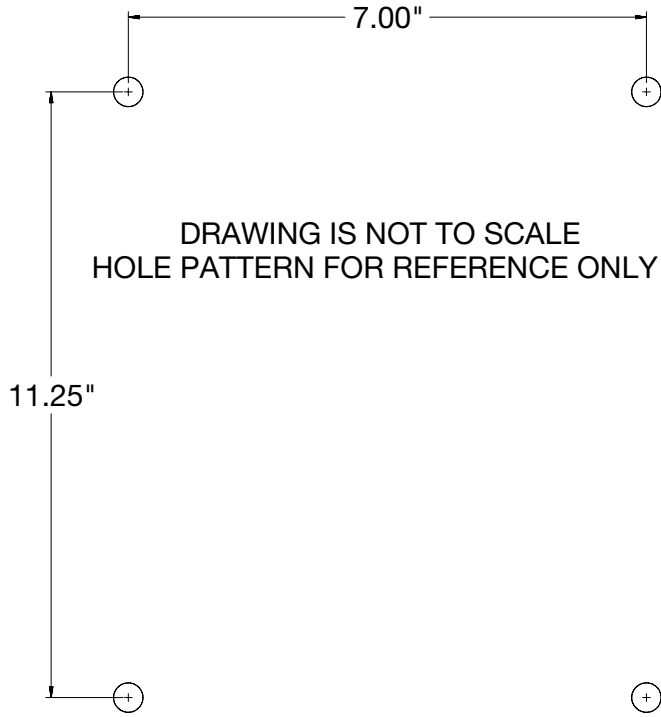
# UNIT WALL MOUNTING

Determine a location to install the unit with an appropriate amount of space for the unit and mounts with proper clearances away from other objects or hazards. Allow plenty of space to fit the pressure washer above his hole pattern.

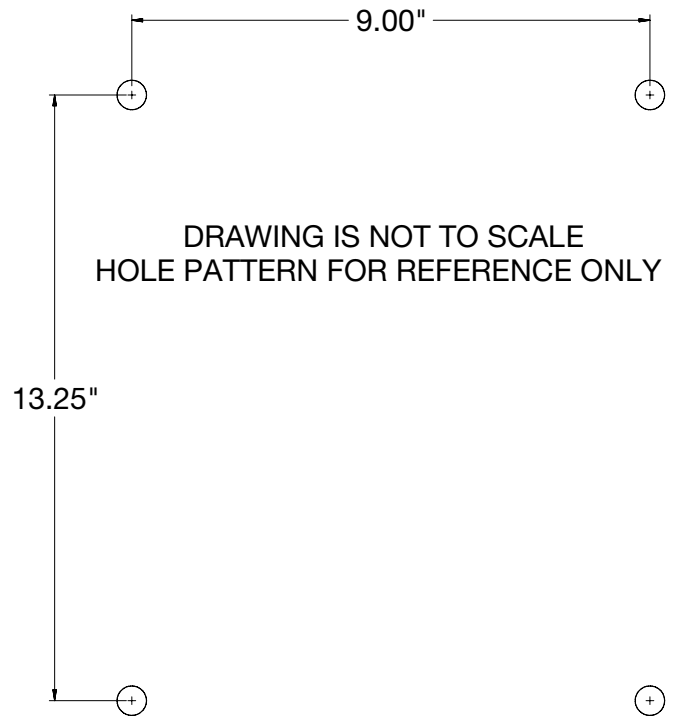


# ELECTRIC BOX MOUNTING

Determine a location to install the unit with an appropriate amount of space for the unit and mounts with proper clearances away from other objects or hazards. Allow plenty of space to fit the pressure washer above his hole pattern.



⊕ **Figure 3:** Hole pattern for Electric box 6 and 8 HP units

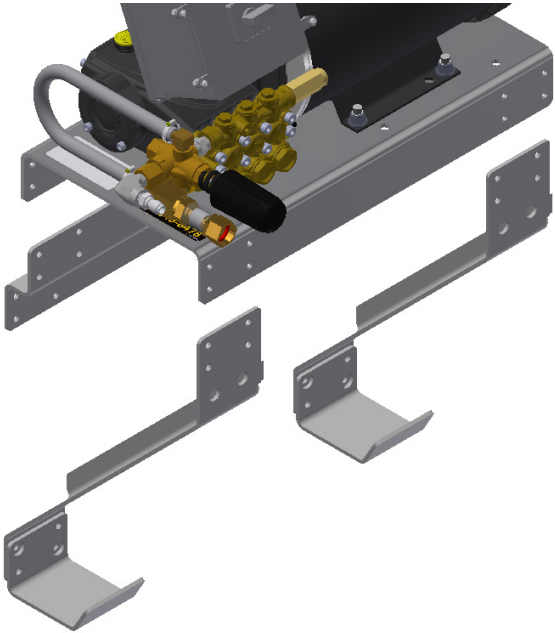


**Figure 4:** Hole pattern for Electric box 10 HP units

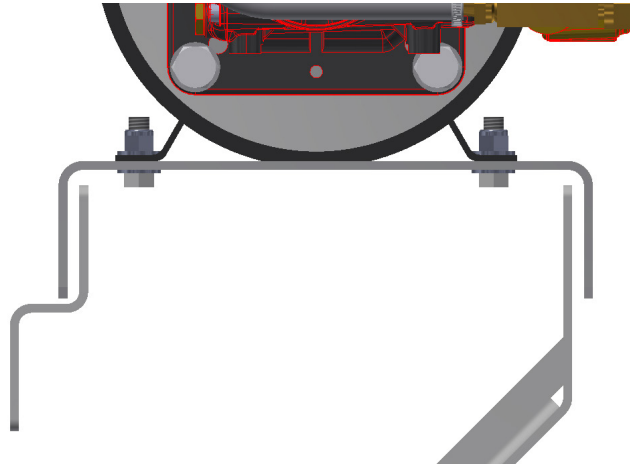
# WALL MOUNTING INSTRUCTIONS

## MOUNTING THE SPACER & WALL BRACKETS:

Using the hole pattern for the unit being installed, mark and drill the holes. Mount the Spacer Bracket (2) to the wall in the top set of holes. Mount the Wall Mount Brackets (1) to the wall in the bottom set of holes.



**Figure 5:** Mounting Unit on Spacer Bracket (2)



**Figure 6:** Unit sitting on Spacer Bracket (2) and Wall Mount Bracket (1)

## MOUNTING UNIT ON BRACKETS:

Using proper personnel and/or equipment to lift unit, set the unit on the Spacer Bracket (2). Continue to hold unit up while the baseplate is bolted to the Spacer Bracket using Items 4, 5 & 6 provided. These may be left loose until all nuts and bolts are started. Secure the Wall Mount Brackets (1) to the baseplate using the remaining nuts and bolts (4, 5 & 6). Tighten all nuts and bolts. Check to be sure the unit is secure before operating.

**CAUTION:** *These units can be heavy, ensure proper personnel and/or equipment is available for lifting and securing!*

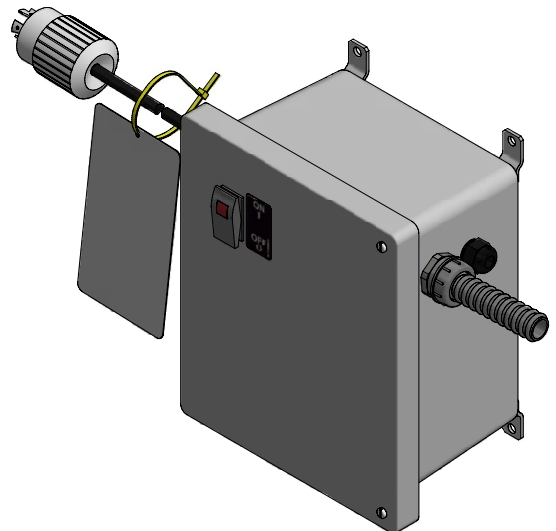
## MOUNTING HOSE HANGER BRACKET:

The Hose Hanger Bracket (3) may be mounted to any of the 2.50" x 1.25" rectangular hole sets on the front of the Unit's Baseplate or the bottom of the Wall Mount Brackets (1). For ease of mounting, two bolts may be put through the lower right and upper left holes to keep unit more secure while mounting the Hose Hanger Bracket. It is recommended that washers not be used on those bolts. Slip the Hose Hanger Bracket over the bolt heads of the first two bolts and line up with the other two holes and bolt them in.

**NOTE:** *The two bolts in the upper right and lower left of the hole set where the Hose Hanger Bracket (3) is mounted may need to be longer to compensate for the extra material thickness. This hardware is unique to each installation will need to be obtained by the installer prior to installation.*

## MOUNTING ELECTRIC BOX:

Using the hole pattern for the Electric Box being installed, mark and drill the holes. Locate Electric Box in a convenient location on the wall for easy access and troubleshooting.



# TROUBLESHOOTING

SYMPTOM	PROBABLE CAUSE	REMEDY
Pump motor will not start, or stops while operating.	Circuit overload. Tripped circuit breaker or fuse blown in circuit fuse box.	Disconnect all other plugs on the circuit being used and reset circuit breaker OR check and replace fuse.
	Tripped circuit breaker in unit.	Allow to cool and restart unit.
	Motor overload.	Reset thermal overload button on pump motor or inside electrical control panel.
	Unit is frozen.	Allow to thaw. If any part of the unit becomes frozen; excessive pressure may build up in the unit which could cause the unit to burst resulting in possible serious injury to the operator or bystanders.
Circuit breaker trips or fuse blows in the box.	Circuit overload.	Ensure electrical supply is identical fuse to the specifications listed on the pressure washer data plate. Disconnect all plugs on the circuit. When connecting to a circuit protected by fuses, use time delay fuses only.
	Too much pressure.	Use Adjusting Knob on Unloader to reduce pressure.
GFCI trips.	Incorrect voltage.	Ensure electrical supply is identical to the specifications listed on the pressure washer data plate.
	Electrical short to ground.	Contact Customer Service.
Motor runs but there is no discharge at nozzle when trigger mechanism is squeezed.	Motor runs but there is no discharge.	Turn water supply completely on.
	Kink in water inlet hose.	Remove kink.
	Kink in high pressure discharge hose.	Replace hose.
Low or fluctuating pressure.	Water inlet screen obstructed.	Remove screen, clean or replace.
	Pump sucking air. (Prime lost)	Tighten all water intake connections. Eliminate leaks in intake line.
	Not in high pressure mode.	Insert high pressure nozzle.
	Obstructed or worn orifice.	Remove and clean, or replace.
	Damaged or obstructed valve assembly on pump.	Remove, clean or replace.
	Pump packings worn.	Replace packings.
	Unloader valve not operating correctly.	Repair or replace.
Water is leaking from Thermal Relief Valve.	Water inlet temperature is too high.	Incoming water temperature must be less than 140°F.
	Water temperature in unit is too high.	Do not allow unit to operate in bypass mode (with the trigger gun closed) for more than three minutes.
	Defective valve.	Replace.

# TROUBLESHOOTING

SYMPTOM	PROBABLE CAUSE	REMEDY
Oil appears milky or foamy.	Water in oil.	Change pump oil. Fill to proper level.
Oil leaking from unit.	Worn seals or o-rings.	Contact Customer Service.
Detergent will not siphon into Low Pressure Detergent mode.	Detergent strainer is not completely submerged in detergent solution.	Check; submerge if necessary.
	Detergent strainer is obstructed.	Inspect, clean or replace.
	Detergent hose is obstructed, cut or kinked.	Inspect, clean or replace.
	Detergent adjusting knob turned to the closed position.	Open adjusting knob.
	Not in Low Pressure mode.	Insert 6540° (BLACK) nozzle.
	Nozzle assembly is plugged.	Open adjusting knob.
	Too many high pressure hose extensions attached to the water outlet.	Use one extension maximum.
	Ball & Spring in detergent strainer stuck.	Remove, clean or replace.
Water flows back into detergent container.	Ball & Spring in Venturi reversed, missing or corroded.	Remove, clean or replace.
Water flows from the nozzle when the trigger gun is in the "OFF" position.	Gun is malfunctioning.	Repair or replace.



## STATEMENT OF WARRANTY

The manufacturer warrants all parts, (except those referred to below), of your new pressure washer to be free from defects in materials and workmanship during the following periods:

For Lifetime against freezing and cracking:  
Pump Manifold

For Five (5) Years from the date of original purchase:  
High Pressure Pump

For Two (2) Years from the date of original purchase:  
Frame Assembly  
Plumbing

For One (1) Year from the date of original purchase:  
Selector Switch

For Ninety (90) days from the date of original purchase:  
Trigger Gun/Wand                      High Pressure Hose  
Unloader Valve                          Strainer/filter

Defective parts not subject to normal wear and tear will be repaired or replaced at our option during the warranty period. In any event, reimbursement is limited to the purchase price paid.

### EXCLUSIONS

1. The motor is covered under separate warranty by its respective manufacturer and is subject to the terms set forth therein.
2. Normal wear parts:  
Pump Packings                              Spray Nozzles  
Pump Valves                                  Detergent Valves  
Quick Couplings/Screw Connects      O-rings
3. This warranty does not cover parts damaged due to normal wear, misapplication, misuse, operation at other than recommended speeds, pressures or temperature. Parts damaged or worn because of the use of caustic liquids or by operation in abrasive or corrosive environments or under conditions causing pump cavitation are not warranted. Failure to follow recommended operating and maintenance procedures also voids warranty.
4. The use of other than genuine manufactured repair parts will void warranty. Parts returned, prepaid to our factory or to an Authorized Service Center will be inspected and replaced free of charge if found to be defective and subject to warranty. There are no warranties which extend beyond the description of the face hereof. Under no circumstances shall the manufacturer bear any responsibility for loss of use of the unit, loss of time or rental, inconvenience, commercial loss or consequential damages.

For Service or Warranty Consideration, contact Customer Service.  
563-556-7484 / 800-553-9053 / Fax 563-556-1235  
Monday - Friday 8:00 a.m. - 5:00 p.m. CST

# TABLA DE MATERIAS

<b>INTRODUCCION</b> .....	<b>27</b>
<b>ADVERTENCIAS DE SEGURIDAD</b> .....	<b>28</b>
<b>CARACTERISTICAS (2004 Y 3004)</b> .....	<b>32</b>
<b>CARACTERISTICAS (4004)</b> .....	<b>33</b>
<b>CALCOMANIAS DE SEGURIDAD Y UBICACION</b> .....	<b>34</b>
<b>INSTALACION Y PREPARACION</b> .....	<b>35</b>
PROTECCIÓN PERSONAL: .....	35
PREPARACIÓN: .....	35
CONEXIÓN DEL CABLE DE ALIMENTACIÓN ELÉCTRICA: .....	35
BOQUILLA DE CONEXION RAPIDA: .....	36
CONEXION DE LA BOQUILLA: .....	36
SUMINISTRO DE AGUA: .....	37
DESCARGADOR: .....	37
VALVULA DE DESCARGA TERMICA: .....	37
PROCEDIMIENTOS DE INSPECCION DE PREARRANQUE: .....	38
CEBADO DE LA BOMBA: .....	39
ARRANQUE: .....	39
<b>INSTRUCCIONES DE OPERACION</b> .....	<b>39</b>
LIMPIEZA CON DETERGENTES .....	40
APAGADO: .....	40
TIEMPO RETRASO APAGADO: .....	41
OPCIÓN DE AUTOENCENDER (CX-0069): .....	41
<b>ALMACENAMIENTO Y MANTENIMIENTO</b> .....	<b>42</b>
MANTENIMIENTO ESPECIFICO: .....	42
PREPARACION PARA EL INVIERNO: .....	42
ARRANQUE DE LA UNIDAD DESPUES DE UN ALMACENAMIENTO PROLONGADO: .....	43
<b>INSTALACIÓN DEL MONTAJE DE PARED</b> .....	<b>44</b>
<b>INSTRUCCIONES DE MONTAJE EN PARED DE LA UNIDAD</b> .....	<b>45</b>
<b>INSTRUCCIONES DE MONTAJE DE CAJA ELÉCTRICA</b> .....	<b>46</b>
<b>INSTALACIÓN DEL MONTAJE DE PARED</b> .....	<b>47</b>
MONTAR DEL ESPACIADOR Y LOS SOPORTES DE MONTAJE DE PARAD: .....	47
MONTAR DEL ESPACIADOR Y LOS SOPORTES DE MONTAJE DE PARAD: .....	47
MONTAR EL SOPORTE DE LA SUSPENSIÓN DE LA MANGUERA: .....	47
MONTAJE DE CAJA ELÉCTRICA: .....	47
<b>LOCALIZACION DE FALLAS</b> .....	<b>48</b>
<b>DECLARACIÓN DE GARANTÍA</b> .....	<b>50</b>

## **⚠ ADVERTENCIA**

**⚠ ADVERTENCIA:** Este producto puede exponerlo a productos químicos, incluido el plomo, que el Estado de California conoce a causar cáncer y defectos congénitos u otros daños reproductivos. Para obtener más información, visite [www.P65Warnings.ca.gov](http://www.P65Warnings.ca.gov)

# INTRODUCCION

¡Felicitaciones por la compra de su nueva lavadora a presión! Puede estar seguro que su lavadora a presión fue construida con el nivel más alto de precisión y exactitud. Cada componente ha sido probado rigurosamente por técnicos para asegurar la calidad, la resistencia y el rendimiento de esta unidad.

Este manual del operador fue compilado para su beneficio. Leyendo y siguiendo los pasos simples de seguridad, instalación, operación, mantenimiento y localización de fallas descritos en este manual ayudará a prolongar aun más la operación libre de fallas que usted puede esperar de su nueva lavadora a presión. El contenido de este manual está basado en la información actualizada disponible al momento de la publicación. El fabricante se reserva el derecho de efectuar cambios en precio, color, materiales, equipo, especificaciones o modelos en cualquier momento sin previo aviso.

## ¡IMPORTANTE!

Estos párrafos están rodeados por una “CASILLA DE ALERTA DE SEGURIDAD”. Esta casilla se usa para designar y enfatizar las Advertencias de Seguridad que deben seguirse al operar esta lavadora a presión. Acompañando a las Advertencias de Seguridad están las “palabras de alerta” que designan el grado o nivel de seriedad de riesgo. Las “palabras de alerta” usadas en este manual son las siguientes:

**PELIGRO:** Indica una situación inminente riesgosa la cual, si no se evita, **RESULTARA en la muerte o en lesiones graves**.

**ADVERTENCIA:** Indica una situación potencialmente riesgosa la cual, si no se evita, **PODRIA resultar en la muerte o en lesiones graves**.

**PRECAUCION:** Indica una situación potencialmente riesgosa la cual, si no se evita **PUEDE resultar en lesiones menores o moderadas**.



El símbolo indicado a la izquierda de este párrafo es el “Símbolo de Alerta de Seguridad”. Este símbolo se usa para alertarlo acerca de artículos o procedimientos que podrían ser peligrosos para usted u otras personas usando este equipo.



**PROVEA SIEMPRE UNA COPIA DE ESTE MANUAL A CUALQUIER PERSONA QUE USE ESTE EQUIPO. LEA TODAS LAS INSTRUCCIONES ANTES DE OPERAR ESTA LAVADORA A PRESION, OBSERVANDO EN PARTICULAR LAS “ADVERTENCIAS DE SEGURIDAD” PARA EVITAR LA POSIBILIDAD DE LESIONES PERSONALES AL OPERADOR.**



Escriba el número de serie de su unidad en el espacio provisto abajo, una vez que la unidad haya sido desempacada.

**NUMERO DE SERIE** \_\_\_\_\_

Inspeccione por daño el contenido de la caja. Si algo parece dañado, **NO LA DEVUELVA AL LUGAR DE COMPRA**. Llame a su representante de servicio al cliente de al 800-648-8478.

Por favor tenga disponible la información siguiente para todas las llamadas de servicio:

1. Número de modelo
2. Número de serie
3. Fecha y lugar de compra



# ADVERTENCIAS DE SEGURIDAD



## PRECAUCIONES ELECTRICAS:

### RIESGO DE DESCARGA ELÉCTRICA O ELECTROCUCIÓN

#### **ADVERTENCIA**

**Pueden producirse lesiones corporales graves o la muerte si no se conecta adecuadamente a tierra la lavadora de chorro a presión. La unidad trabaja mediante energía eléctrica y puede causar una descarga eléctrica o electrocución si no se usa debidamente.**

1. Este producto debe estar conectado a tierra. La lavadora debe conectarse en un receptáculo protegido por un GFCI. Desconecte la unidad cuando no esté usándose.
2. Siempre asegúrese de que la unidad reciba el voltaje adecuado. Desconéctela cuando no esté usándose.

#### **ADVERTENCIA**

**El cordón eléctrico puede causar una descarga eléctrica.**

3. Revise el cordón eléctrico y vea si muestra señales de aplastamiento, cortaduras o daños de origen térmico. Si es necesario cambiar la cordón, use exclusivamente piezas de repuesto idénticas.
4. Mantenga secas y lejos del piso todas las conexiones. No permita que los cordones eléctricos estén en agua o en tal posición que el agua entre en contacto con ellos.

#### **ADVERTENCIA**

**Si no se opera debidamente la lavadora de chorro a presión puede ocurrir una descarga eléctrica.**

5. NO dirija el chorro sobre ni dentro de instalaciones eléctricas de ninguna clase, como tomas de corriente, focos (bombillos), cajas de fusibles, transformadores, la unidad misma, etc.
6. NO permita que ningún componente metálico de la lavadora de chorro a presión entre en contacto con elementos electrizados.
7. Nunca utilice la lavadora a presión con las guardas o tapas desmontadas o dañadas.

#### **ADVERTENCIA**

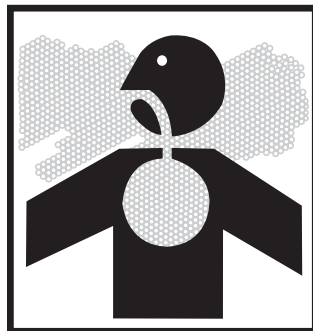
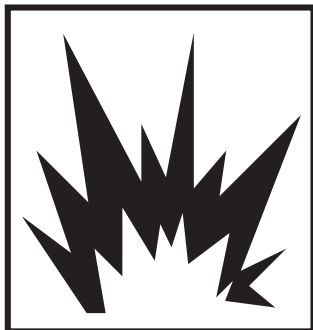
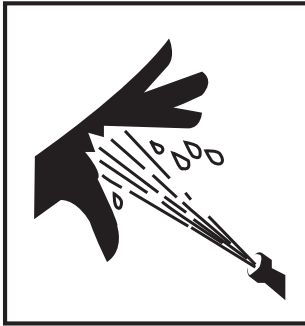
**Pueden producirse lesiones corporales graves o la muerte si personas no calificadas intentan efectuar reparaciones de tipo eléctrico.**

8. Toda conexión o reparación efectuada en la lavadora de chorro a presión debe ser realizada por el personal de servicio autorizado, de conformidad con los códigos eléctricos locales y nacionales.
9. Antes de abrir cualquier compartimiento eléctrico, siempre apague la lavadora de chorro a presión, purgue la presión y desconecte de la línea de suministro de voltaje la lavadora. Permita a la lavadora enfriarse. Nunca suponga que es seguro trabajar en la lavadora simplemente porque no está funcionando. ¡Puede arrancar en cualquier momento! Dele servicio en un área limpia, seca y plana.





# ADVERTENCIAS DE SEGURIDAD



## PRECAUCIONES PARA ROCIADO



### PELIGRO

#### RIESGO DE INYECCIÓN O CORTADURA GRAVE

**Manténgase alejado de la boquilla. Nunca apunte el chorro a alta presión a sí mismo ni a nadie más. Deben observarse siempre las precauciones básicas, incluyendo las siguientes:**

1. Manténgase alejado de la boquilla y del chorro a presión. Nunca coloque la mano, dedos o cuerpo directamente en la boquilla de rociado.
2. Nunca apunte el chorro a alta presión a sí mismo ni a nadie más.
3. Este producto sólo debe emplearse por operarios capacitados.
4. Siempre mantenga el área de trabajo despejada de personas.
5. NO permita a los niños manejar esta unidad.
6. **BUSQUE ASISTENCIA MÉDICA** si el chorro parece haber penetrado la piel! **¡NO LO TRATE COMO UNA SIMPLE CORTADA!**
7. Las mangueras de alta presión y conductos de combustible deben inspeccionarse diariamente para ver si muestran señales de desgaste. Si muestran señales evidentes de falla, cámbielos de inmediato para evitar toda posibilidad de lesiones causadas por el chorro a alta presión. Si tiene fugas una manguera o adaptador, **NUNCA COLOQUE LA MANO DIRECTAMENTE EN LA FUGA.**
8. **NUNCA** opere la pistola con el gatillo en la posición abierta. Para evitar toda descarga accidental, el gatillo debe bloquearse cuando no esté usándose la pistola.
9. No tire de la manguera para mover la unidad.
10. Antes de desmontar la boquilla de rociado o de dar servicio a la unidad, **SIEMPRE** apague ésta y tire del gatillo para liberar toda presión atrapada. (Incluso después de apagar la unidad, hay alta presión acumulada en la bomba, manguera y pistola hasta que la libere tirando del gatillo.)
11. **NO** deje desatendida la unidad si tiene presión. Apague la lavadora y libere toda presión acumulada antes de retirarse.



## PRECAUCIONES MISCELÁNEAS DE SEGURIDAD

### RIESGO DE EXPLOSIÓN O INCENDIO

#### ADVERTENCIA

**Pueden producirse lesiones corporales graves o la muerte debido al chispeo normal presente en las diferentes fuentes de motor y sistema de eléctrica.**

1. Siempre use la lavadora en un área bien ventilada libre de emanaciones inflamables, polvo combustible, gases y cualquier material combustible.
2. ¡No use esta lavadora para rociar material inflamable!

### RIESGO DE ASFIXIA:

#### ADVERTENCIA

**Pueden producirse lesiones corporales graves o la muerte si se inhalan las emanaciones provenientes de otras emanaciones peligrosas.**

1. Siga todas las instrucciones de seguridad suministradas con los materiales a los que esté rociando. Puede ser necesario tener puesta una mascarilla de respiración para trabajar con ciertos materiales. No use esta lavadora de chorro a presión para aplicar detergentes peligrosos.

# ⚠️ ADVERTENCIAS DE SEGURIDAD ⚠️

## ⚠️ PRECAUCIONES MISCELÁNEAS DE SEGURIDAD, CONTINUA

### RIESGO DE REVENTÓN:

#### **ADVERTENCIA**

Pueden producirse lesiones graves si funciona mal la lavadora o si explotan accesorios, en caso de usarse componentes, aditamentos o accesorios inadecuados.

1. Nunca se exceda de la presión nominal máxima permitida por el fabricante de los aditamentos.
2. Use solamente piezas de repuesto recomendadas por el fabricante para la lavadora.

#### **ADVERTENCIA**

Pueden producirse lesiones graves o la muerte si se intenta arrancar la lavadora cuando está congelado el sistema de bombeo de la unidad.

3. A temperaturas de congelación, la unidad siempre debe estar a la suficiente temperatura para evitar la formación de hielo en la bomba. No arranque la lavadora si ha sido transportada en un vehículo abierto o a baja temperatura sin permitir calentarse primero al sistema de bombeo de la unidad.

### RIESGO DE MOVIM. DE PZAS:

#### **ADVERTENCIA**

Pueden causarse lesiones graves al operario con las piezas móviles de la lavadora.

1. No opere la unidad sin las tapas protectoras puestas en su lugar.
2. Para dar servicio a la unidad, colóquela en un área limpia, seca y plana. Antes de darle servicio a la unidad, apáguela, alivie la presión de la pistola y permita enfriarse a la unidad.
3. Siga las instrucciones de mantenimiento especificadas en el manual.

### RIESGO DE LESIONES:

#### **ADVERTENCIA**

Pueden producirse lesiones por la basura impulsada a alta velocidad por la pistola de rociado.

1. SIEMPRE póngase gafas protectoras al operar la unidad para protegerse los ojos de la basura que sale despedida y detergentes.
2. NO dirija el chorro hacia materiales frágiles como el vidrio ya que pueden romperse.

#### **ADVERTENCIA**

Pueden producirse lesiones si el operario pierde el equilibrio o debido al empuje del agua al circular por la boquilla de rociado.

1. Permanezca alerta de lo que está haciendo. No maneje la unidad si está fatigado o bajo los efectos del alcohol o drogas.
2. NUNCA accione el gatillo si no lo tiene bien abrazado con el dedo. NO extienda el cuerpo demasiado ni se pare en una base inestable. Las superficies húmedas pueden estar resbalosas; póngase equipo antirresbalante en los pies, párese en forma sólida y mantenga un buen equilibrio.

#### **ADVERTENCIA**

Pueden producirse lesiones por la lavadora de chorro a presión.

1. SIEMPRE sostenga firmemente el conjunto de la pistola y la caña al arrancar y operar la unidad. De lo contrario la caña puede caer y dar chicotazos peligrosamente.
2. Sepa bien cómo detener la lavadora de chorro a presión y cómo purgar las presiones con rapidez. Familiarícese bien con los controles.





## ADVERTENCIAS DE SEGURIDAD



### PRECAUCIONES PARA LIMPIEZA CON DETERGENTES

#### RIESGO DE LESIONES:

#### ADVERTENCIA

**Pueden producirse lesiones o la muerte si los detergentes llegan a tocar la piel.**

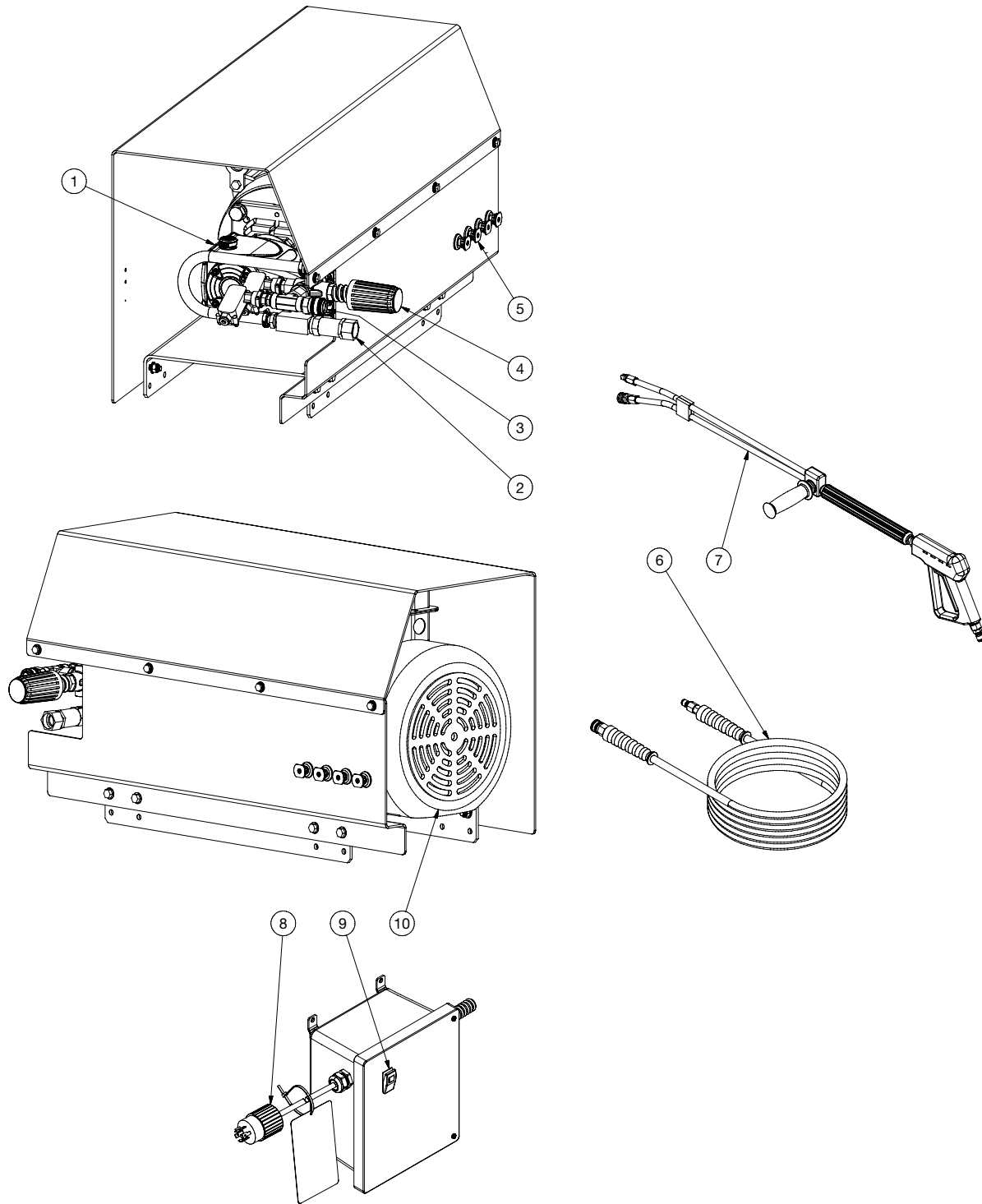
1. Nunca use ningún solvente, detergentes corrosivos ni limpiadores de tipo ácido con esta lavadora de chorro a presión.
2. Esté preparado para indicarle al doctor la clase de detergentes que estaba aplicando; para ello, lea la hoja de datos de seguridad del material (MSDS) correspondiente al detergente.
3. Se recomienda ponerse equipo protector como traje de hule, guantes y mascarilla de respiración, especialmente al aplicar detergentes.
4. ¡Mantenga todo detergente fuera del alcance de los niños!



## ! GUARDE ESTES INSTRUCCIONES !



## CARACTERISTICAS (2004 y 3004)



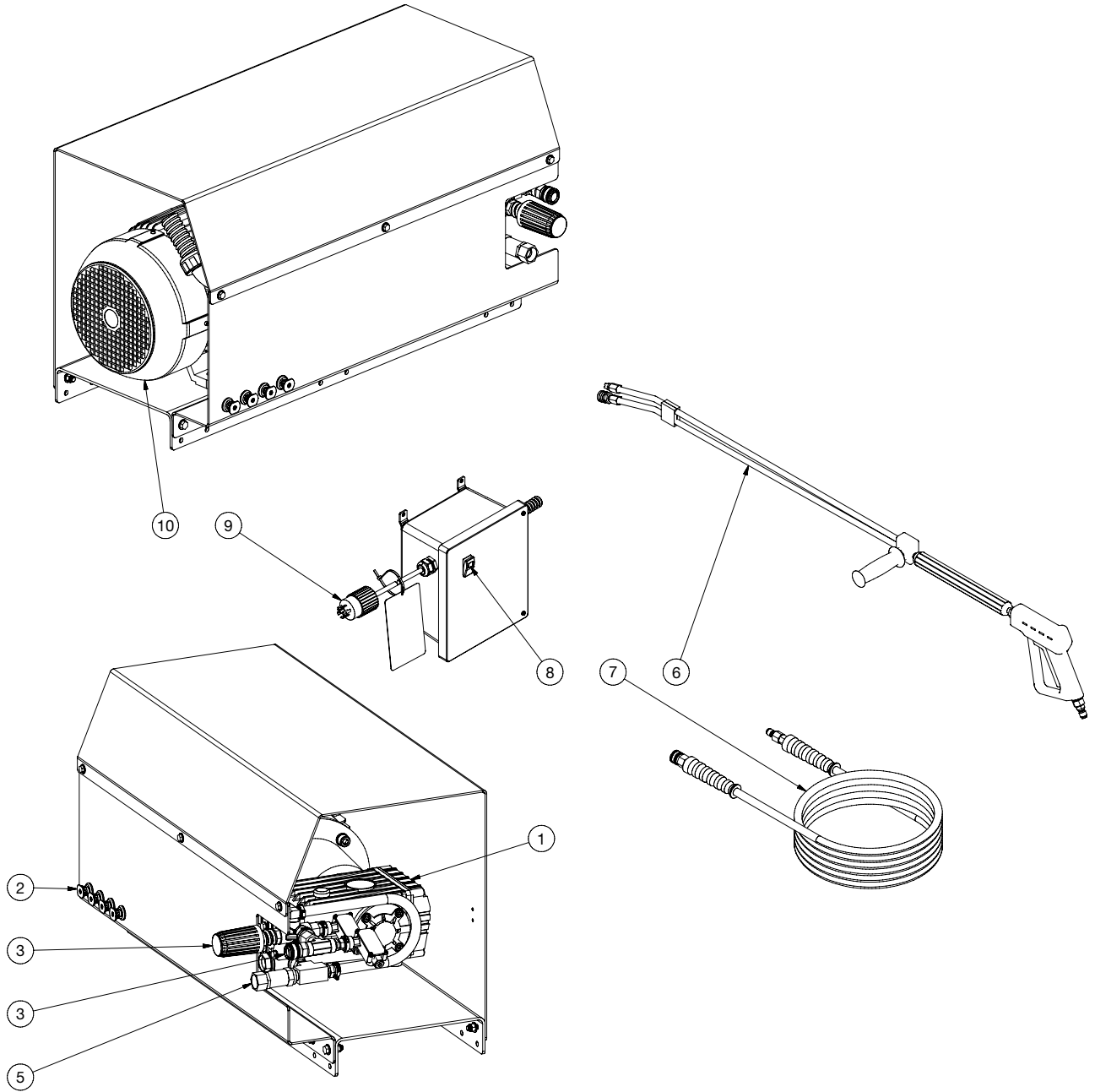
### LISTA DE LOS ELEMONTOS Y COMPONENTES

- |   |                                     |
|---|-------------------------------------|
| 1. Bomba                                | 7. Conjunto del la pistola          |
| 2. Entrada de agua                      | 8. Cordón eléctrico con GFCI (1PH)  |
| 3. Salida de agua                       | Cordón eléctrico con Enchufar (3PH) |
| 4. Perilla ajustable del descargador    | 9. Interruptor On/Off               |
| 5. Acoples Rápidos Boquilla             | 10. Motor                           |
| 6. Manguera de descarga de alta presión |                                     |



# CARACTERISTICAS (4004)

GC-4004 W\_REMOTE BOX FEATURES 111819 JJR



## LISTA DE LOS ELEMONTOS Y COMPONENTES

- |                                      |   |
|--------------------------------------|---|
| 1. Bomba                             | 6. Conjunto del la pistola              |
| 2. Acoples Rapios Boquilla           | 7. Manguera de descarga de alta presión |
| 3. Perilla ajustable del descargador | 8. Interruptor On/Off                   |
| 4. Salida de agua                    | 9. Cordón eléctrico con Enchufar        |
| 5. Entrada de agua                   | 10. Motor                               |

# CALCOMANIAS DE SEGURIDAD Y UBICACION

**NO RETIRE LAS CALCOMANIAS DE SEGURIDAD DE LA UNIDAD A MENOS QUE LAS REEMPLACE POR LAS CALCOMANIAS DE SEGURIDAD MAS RECIENTES!**

Calcomanía: Advertencia: Riesgo de electrocución (Part # 34-3708)

## **⚠️ WARNING ⚠️ ADVERTENCIA**

**⚠️ WARNING: Cancer and Reproductive Harm — [www.P65warnings.ca.gov/](http://www.P65warnings.ca.gov/)  
RISK OF ELECTROCUTION. DO NOT REMOVE THIS TAG.**

1. Connect only to a properly grounded outlet. Do not remove ground pin.
2. Inspect cord before using. Do not use if cord is damaged.
3. Keep all connections dry and off the ground.
4. Do not touch plug with wet hands.
5. This unit may be provided with a Ground Fault Circuit Interrupter (GFCI) built into the power cord plug. If replacement of plug or cord is needed, use only identical replacement parts. If this unit is not provided with a GFCI, this unit should only be connected to a power supply receptacle protected by a ground fault circuit interrupter.
6. Do not use an extension cord with this machine.
7. Read the operator's manual carefully before using.
8. Risk of Injection or Severe Injury to persons: Keep clear of nozzle. Do not touch or direct discharge stream at persons. This machine is to only be used by qualified operators.
9. Risk of Electrocution: Do not direct spray toward any electrical connections or outlets.
10. Risk of Explosion: Do not spray flammable liquids. Do not spray in an area containing combustible dust, liquids or vapors.
11. Risk of Injury: Always wear proper safety attire including eye protection. Do not use this product when children are present.
12. Risk of Chemical Exposure: Use only water and recommended detergents with this unit.
13. If connection is made to a potable water system, the system shall be protected against backflow.

**FAILURE TO FOLLOW THE ABOVE INSTRUCTIONS COULD RESULT IN A SEVERE ELECTRICAL SHOCK.**

**⚠️ ADVERTENCIA: Peligro de cáncer y daño reproductivo — [www.P65warnings.ca.gov/](http://www.P65warnings.ca.gov/)  
RIESGO DE ELECTROCUCION. NO RETIRE ESTA CALCOMANIA.**

1. Conecte solamente a una toma corriente que está bien fundado. No quite la pata de conexión de la tierra.
2. Antes de usar inspeccione la cuerda. No use si la cuerda está dañando.
3. Mantenga los conexiones secos y apartados de la tierra.
4. No toque el enchufe con manos mojados.
5. Este producto debe conectarse a tierra. Asegúrese de que la lavadora a presión esté equipada con un Interruptor de circuito de falla a tierra (Ground Fault Circuit Interrupter, GFCI) incorporado en el cordón de alimentación. Si no lo tiene, debe conectarse la lavadora a presión únicamente en un receptáculo que esté protegido por un interruptor de circuito de falla a tierra. Desconéctela cuando no esté en uso.
6. No use una cuerda extensión con la unidad.
7. Antes de usar lea y entienda todas las instrucciones y el manual de operación.
8. Riesgo de inyección o lesión severa: Mantenga la boquilla despejada. No dirija el chorro hacia alguna persona o hacia usted.
9. Riesgo de electrocución: No dirija el rociado hacia conexiones o toma corrientes eléctricos.
10. Riesgo de explosión: No dirija el chorro hacia conexiones eléctricas. Tomas de corrientes o líneas de alimentación de corriente.
11. Riesgo de lesión: Mientras se opera esta unidad se recomiendan antiparras y protección apropiada. No use esta unidad cerca de niños.
12. Riesgo de exposición química: Use usted solamente agua y detergente con esta unidad.
13. Si la conexión se hace a un sistema de agua potable, el sistema será protegido contra la expulsión.

**EL NO SEGUIR LAS INSTRUCCIONES DE ARRIBA PUEDE RESULTAR EN UN CHOQUE ELECTRICO GRAVE.**

## **⚠️ CAUTION ⚠️ PRECAUCION**

1. To Reduce Risk of Injury: Read and understand the operation manual and all instructions before using.
2. Stay Alert: Hold onto gun/wand firmly with both hands to avoid dangerous kickbacks.
3. Do not overreach or stand on unstable support. Keep good footing and balance at all times.
4. Inspect all hoses for kinking, cuts and leaks.
5. Risk of Eye Injury: Always wear eye protection.
6. Protect pump from freezing.
7. Always turn on water supply to pump before starting.
8. Engage trigger safety lock-off when not in use.
9. For indoor use only. Store indoors.
10. If connected to a circuit protected by fuses, use time-delay fuses only.
11. Servicing is to be done with the unit disconnected from the supply circuit.

**CONNECT TO AN INDIVIDUAL  
BRANCH CIRCUIT ONLY.**

34-3708/040518

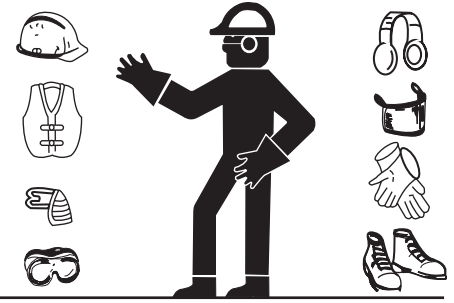
1. Para Reducir el Riesgo de que Ocurran Lesiones: Lea y entienda el manual de operación y todas las instrucciones antes de usar el producto.
2. Permanezca Alerta: Sostenga la pistola varilla firmemente con ambas manos para evitar golpes de retroceso peligrosos.
3. No se extienda demasiado o se pare en un apoyo inestable. Mantenga una buena posición y balance todo el tiempo.
4. Inspeccione las mangueras por dobleces, cortes y pérdidas.
5. Riesgo de que Ocular Lesions: Use siempre protección ocular.
6. Proteja la bomba de la congelación.
7. Antes de comenzar. Abra siempre el suministro de agua a la bomba.
8. Coloque el seguro del gatillo en la posición apagado cuando no este usando el producto.
9. Para uso interior. Almacene bajo techo.
10. Si se conecta a un circuito protegido por fusibles, use fusibles con retardo solamente.
11. Para hacer los servicios, necesita desconectar la unidad del circuito de suministro.

**CONECTE A UNA RAMA INTERRUPTOR  
INDIVIDUAL SOLAMENTE.**

# INSTALACION Y PREPARACION

## PROTECCIÓN PERSONAL:

Ponerse la protección personal adecuada es vital para la propia seguridad. Se recomienda utilizar lo que sea necesario para protegerse los ojos, oídos y piel. Es posible que se necesite aditamentos adicionales de seguridad (como la mascarilla de respiración) al aplicar agentes limpiadores detergentes con esta lavadora.



## PREPARACIÓN:

1. Esta unidad sólo debe colocarse en una superficie a nivel para asegurar una lubricación adecuada de la bomba de agua durante el funcionamiento. NUNCA rocíe agua directamente en la unidad.
2. No use la unidad en áreas:
  - a. donde existan señales de fugas de aceite o combustible.
  - b. donde pueda haber presencia de vapores de gases inflamables.
3. No exponga la unidad a la lluvia, nieve o temperaturas de congelación. Si se congela alguna parte de la unidad, puede acumularse presión excesiva, la cual puede causar que reviente la unidad y se produzcan lesiones graves al operador y a los circunstantes.
4. Debe revisarse el nivel de aceite de la bomba. Asegúrese de que el aceite llegue a la marca de "lleno" de la vara de nivel o del centro de la mirilla de nivel del aceite. Si parece bajo el nivel, llene el tanque con aceite para bomba. NO LLENE DEMASIADO!



### PELIGRO

**RIESGO DE EXPLOSION! NO COLOQUE LA UNIDAD EN UN AREA DONDE PUEDAN ESTAR PRESENTESE VAPORES INFLAMMABLES. UNIA CHISPA PODRIA CAUSAR UNA EXPLOSION.**

**RIESGO QUE LA UNIDAD REVIENTE! NO ALMACENE/OPERE LA UNIDAD EN UN AMBIENTE HELADO.**

## INSTRUCCIONES DE INSTALACIÓN DEL MONTAJE DE PARED VER PÁGINA 45-47.

## CONEXIÓN DEL CABLE DE ALIMENTACIÓN ELÉCTRICA:

1. El interruptor debe estar en la posición de apagado (OFF).
2. La fuente de voltaje debe ser idéntica a las especificaciones indicadas en la placa de datos de la lavadora.
3. INSTRUCCIONES DE CONEXIÓN A TIERRA: Este producto debe estar conectado a tierra. Si algo funciona mal o se descompone, la conexión a tierra suministra un trayecto eléctrico de baja resistencia para la corriente y así se reduce el riesgo de una descarga eléctrica. Este producto dispone de cordón eléctrico con conductor a tierra para equipo.
4. PELIGRO: Una conexión inadecuada del conductor a tierra para equipo puede originar un riesgo de electrocución. Consulte con un electricista o técnico de servicio calificados si no está seguro que la toma está conectada a tierra adecuadamente.
5. PROTECCIÓN DE INTERRUPTOR ACCIONADO POR FALLA DE CONEXIÓN A TIERRA:
  - a. Sólo debe conectarse en un receptáculo protegido por GFCI (interruptor accionado por falla de conexión a tierra) para cumplir con el Código Eléctrico Nacional (NFPA 70) y para proporcionar protección adicional contra el riesgo de descargas eléctricas.



### PELIGRO

**¡RIESGO DE ELECTROCUCIÓN!**

**ESTA UNIDAD DEBE CONECTARSE A UNA TOMA DE CORRIENTE CON LA DEBIDA CONEXIÓN A TIERRA.**



### ADVERTENCIA

**¡RIESGO DE ELECTROCUCIÓN!**

**PARA REDUCIR EL RIESGO DE ELECTROCUCIÓN, MANTENGA TODAS LAS CONEXIONES SECAS Y LEJOS DEL PISO.**

# INSTALACION Y PREPARACION

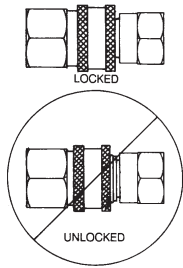


## ADVERTENCIA

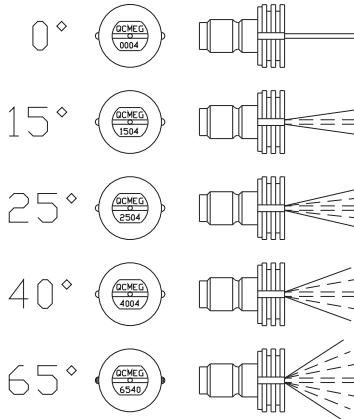
**¡RIESGO DE INYECCION  
CAUSANTE DE LESIONES  
GRAVES!**

**¡NUNCA MIRE DIRECTAMENTE  
AL ORIFICIO DE LA BOQUILLA  
A MENOS QUE ESTE  
DESCONECTADO DEL CONJUNTO  
DE LA PISTOLA/VARA!**

### CONEXION DE LAS BOQUILLAS DE CONEXION RAPIDA



### BOQUILLAS DE CONEXION RAPIDA (C.R.)



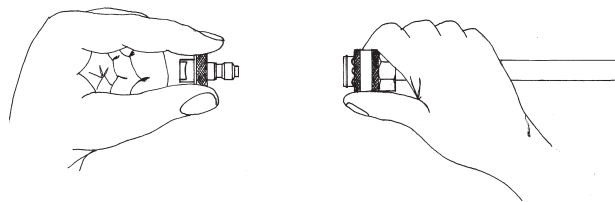
### BOQUILLA DE CONEXION RAPIDA:

Pueden conectarse rápidamente varias boquillas al extremo de la vara para cambiar el patrón de rociado o para usar la característica de detergente. Asegúrese que la conexión está seguramente calzada, al usar los conectores rápidos (C.R.). En caso contrario el agua a alta presión puede despedir la boquilla de la vara, causando lesiones graves o daños importantes. Refiérase al número estampado en la boquilla, para determinar el patrón de abanico del rociado. Los primeros dos dígitos indican el patrón de abanico del rociado en grados, por ej.: 00=0°, 15=15°, 25=25°, 40=40°, 65=detergente/baja presión.

1. **Boquilla de 0° (ROJA):** Esta es una boquilla de disparo que emite una corriente muy concentrada de agua. Debería ejercerse cuidado para evitar rayar la madera o dañar superficie frágiles. Usos: eliminación de malas hierbas de las grietas de las aceras, manchas resistentes del concreto, mampostería, aluminio y acero, lodo endurecido en equipos, y para limpiar el fondo de las cortadoras de césped.
2. **Boquilla de 15° (AMARILLA):** Esta es una boquilla biselada. El rociado debería dirigirse a un ángulo de 45° sobre la superficie y usarse como un raspador para sacar pintura, grasa y suciedad. Usos: preparación de superficies (eliminación de manchas de moho y escamas de pintura).
3. **Boquilla de 25° (VERDE):** Esta es una boquilla de limpieza por descarga de agua. Este patrón es más apropiado para limpiar suciedad, lodo, y hollín. Usos: Barrido en mojado de senderos, cordones de las aceras y entradas de garages, limpieza de suelos de los establos, lavado de los fondos de las piscinas de natación, desengrasado de motores.
3. **La boquilla de 40° (BLANCO):** Esta boquilla es una boquilla de limpiando. Este diseño extenso de atomizadora dispartir la presión de agua alrededor un área grande y se recomendado para limpiando moderado. USAS: Limpiando de apartadero de aluminio, limpiando ventanillas, limpiando autos, atomizadando aceras, entradas de casas, y patios.
4. **Boquilla de 65° (NEGRA):** Esta es una boquilla de aplicación de detergente, de baja presión. Este patrón de rociado amplio distribuye la solución sobre áreas amplias a baja presión. Usos: Aplicación de detergente, como rociado o enjuague.

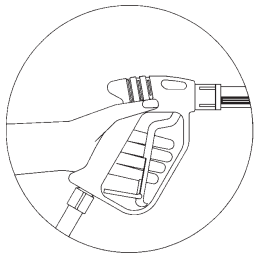
### CONEXION DE LA BOQUILLA:

1. Asegúrese que la pistola a gatillo esté asegurada en la posición "OFF" (DESCONECTADO). Vea la ADVERTENCIA, a la derecha.
2. Retraiga el anillo de cierre sobre el adaptador de conexión rápida para sacar la boquilla.



## ADVERTENCIA

**¡RIESGO DE LESIONES GRAVES!  
¡CUANDO SE USA, LA PISTOLA  
A GATILLO DEBERIA ESTAR  
SIEMPRE ASEGURADO EN LA  
POSICION DESCONECTADO!**



# INSTALACION Y PREPARACION

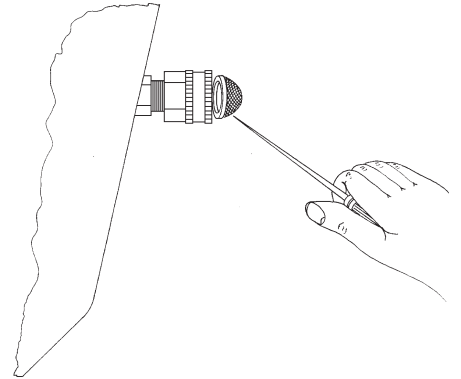
## SUMINISTRO DE AGUA:

1. Seleccione una manguera de suministro de agua que sea de calidad de manguera de jardín que mida 3/4" de DI por lo menos y que no sea más larga que 50 pies.
2. Inspeccione el tamiz de entrada de agua para asegurar que esté limpio y libre de obstrucciones. La limpieza periódica del tamiz de agua ayudará a prevenir problemas con la bomba. El tamiz restringe el flujo apropiado de agua a la bomba, a medida que se obstruye. Esto puede resultar en cavitaciones que causarán la falla prematura de los empaques de las bombas.
  - a. Retire el tamiz de la unidad, usando un destornillador.
  - b. Si fuera necesario, limpie o reemplace.
3. Connect la mangureras:
  - a. Conecte un extremo de la manguera de suministro de agua a la entrada de agua de la unidad.
  - b. Conecte el otro extremo de la manguera a su suministro presurizado de agua.

*NOTA: No use un suministro de agua no presurizado (por ej. agua de pozo o estanque) con esta unidad.*

  - c. Efectúe la conexión de la manguera de descarga de alta presión a la salida de agua de la unidad.
4. Siga los requerimientos de agua entrante listados abajo:
  - a. La presión de agua debe estar a un mínimo de 40 libras por pulgada cuadrada (PSI) y un máximo de 125 PSI. (Un grifo típico al aire libre suministrará generalmente estas PSI si está completamente ABIERTO).
  - b. Los GPM (galones por minuto) entrantes deben ser ser 1 galón más aproximadamente que los GPM salientes deben indicados en la placa de nombre de la lavadora a presión. (Usted puede inspeccionar los GPM observando el tiempo requerido para llenar un recipiente de 5 galones.)
  - c. La temperatura del agua de entrada no debe exceder 165°F (74°C). Puede resultar un daño excesivo a la bomba si la temperatura del agua excede este nivel aceptable.
5. Nunca permita que la unidad opere sin que esté conectada la tubería de agua de entrada y el suministro de agua completamente abierto.

## CHECK WATER INLET STRAINER



## DESCARGADOR:

Usted puede ajustar la presión, si el descargador de su máquina está equipado con una perilla de ajuste. Si se requiere menos presión, simplemente gire la perilla de ajuste en sentido contrario a las agujas del reloj. Para retornar al máximo, gire completamente la perilla de ajuste en el sentido de las agujas del reloj. ¡NO AJUSTE EN EXCESO!

## VALVULA DE DESCARGA TERMICA:

Nunca permita que la lavadora a presión opere en el modo de derivación durante más de tres minutos (con la unidad funcionando y la pistola a gatillo cerrado), para asegurar que la temperatura del agua no exceda niveles aceptables.

Se ha agregado una válvula de descarga térmica a esta unidad para proteger la bomba. Puede comenzar a abrirse y permitir la salida de agua si la temperatura del agua en la bomba ha excedido los 190°F (87°C). Esto permitirá que agua fresca y fría entre al sistema.



## PRECAUCION

**¡RIESGO DE DAÑO A LA UNIDAD!**

**NO AJUSTE EN EXCESO EL DESCARGADOR. LA ROTURA RESULTARA EN UNA PERDIDA INMEDIATA DE PRESION DE AGUA Y REPARACIONES COSTOSAS.**

# INSTALACION Y PREPARACION

## PROCEDIMIENTOS DE INSPECCION DE PREARRANQUE:

Efectúe los procedimientos siguientes antes de arrancar la unidad:

1. Inspeccione los cordones electricos para cortes. Si encuentre unos cortes, **NO TOQUÉ NI USE CORDÓN!** Antes de arrancar reponza el cordon.
2. Inspeccione el nivel de aceite en la bomba y en el motor.
3. Inspeccione el tamiz de entrada de agua. Limpie o reemplace si fuera necesario. Vea "Suministro de agua", #2, pág. 38.
4. Inspeccione todas las conexiones de las mangueras para asegurar que estén bien ajustadas. Vea "Suministro de agua", #3, pág. 38.
5. Inspeccione por pérdidas de combustible del sistema. Asegúrese que se reemplacen todas las piezas dañadas y que se corrijan todos los problemas mecánicos antes de operar la unidad. Consulte con el Servicio, si usted requiere servicio.
6. Inspeccione las mangueras de alta presión por dobleces, cortes y pérdidas. Asegúrese que se reemplacen todas las piezas dañadas y que se corrijan los problemas mecánicos antes de operar la unidad. Consulte con el Servicio, si usted requiere servicio.

## FINAL DE LAS INSTRUCCIONES DE PREPARACION



# ADVERTENCIA



**LAS PAGINAS SIGUIENTES CONTIENEN INSTRUCCIONES DE OPERACION Y MANTENIMIENTO**

**NO TRATE DE OPERAR ESTA LAVADORA A PRESION HASTA QUE HAYA LEIDO Y ENTENDIDO TODAS LAS PRECAUCIONES E INSTRUCCIONES DE SEGURIDAD LISTADAS EN ESTE MANUAL.**

**¡¡LA OPERACION INCORRECTA DE ESTA UNIDAD PUEDE CAUSAR LESIONES GRAVES!!**

**¡¡DE NINGUNA MANERA ALTERE O MODIFIQUE ESTE EQUIPO!!**

# INSTRUCCIONES DE OPERACION

## CEBADO DE LA BOMBA:

1. Es esencial cebar la bomba en el arranque inicial y cada vez que se desconecta el suministro de agua de la unidad después del uso inicial.
2. Despliegue la manguera de alta presión para eliminar los dobleces. El flujo de agua endurecerá la manguera, creando bucles rígidos si la manguera no está recta.

*NOTA: El conector de la boquilla NO debería conectarse al conjunto de la pistola en este momento. Vea "Conexión de la boquilla", pág. 37.*

3. Abra completamente el suministro de agua, con la pistola a gatillo asegurado en la posición "OFF". Suelte el seguro de la pistola a gatillo y accione este último, apuntando la pistola en una dirección segura.
4. Comenzará a fluir agua a baja presión del conjunto de manguera/pistola. Esto permite que la unidad se cebe y purgue todo el aire del sistema. Esta unidad está cebada cuando el flujo de agua no esté interrumpido por el aire.
5. Suelte el gatillo y asegure la pistola en la posición "OFF", una vez que la unidad esté cebada. Conecte seguramente el conjunto de la boquilla. (Vea "Conexión de la boquilla", pág. 37.)

## ARRANQUE:

1. Refiérase a las "Precauciones de seguridad", págs. 29-32 antes de arrancar la unidad.
2. Ubique las calcomanías de seguridad en su unidad y obedezca sus advertencias.
3. Apunte la pistola a gatillo alejado de usted o de cualquier otra persona, con el mismo asegurado en la posición "OFF". Asegúrese que el suministro de agua esté completamente abierto.
4. Desenganche el seguro de la pistola y accione el gatillo. Comenzará a fluir agua a baja presión de la boquilla.
5. Afírmese ya que la pistola retrocederá violentamente a causa de la alta presión causada por la bomba una vez que haya arrancado el motor.
6. Mueva el interruptor On/Off a la posición "ON".
7. Efectúe los procedimientos siguientes una vez que haya arrancado el motor con la pistola en la posición abierta:
  - a. Inspeccione por pérdidas de aceite y de agua del sistema. ¡APAGUE INMEDIATAMENTE LA UNIDAD, si encuentra una pérdida! Antes de operar la unidad, asegúrese que se hayan reemplazado todas las piezas dañadas y que se hayan corregido todos los problemas mecánicos. Consulte con el Servicio, si usted requiere servicio.
  - b. Inspeccione las mangueras de alta presión por dobleces, cortes y pérdidas. ¡¡¡NO TOQUE LA MANGUERA EN LA PERDIDA, si encuentra un corte o una pérdida!!! ¡APAGUE INMEDIATAMENTE LA UNIDAD! Antes de arrancar nuevamente la unidad, reemplace la manguera. Antes de operar la unidad, asegúrese que se hayan reemplazado todas las piezas dañadas y que se hayan corregido todos los problemas mecánicos. Consulte con el Servicio, si usted requiere servicio.
  - c. Inspeccione el cordón eléctrico por cortes. ¡NO TOQUE NI USE EL CORDON ELECTORCO, si se halla un corte! Remplace el cordón antes de arrancar la unidad. Consulte con el Servicio al Cliente si usted requiere servicio.
8. ASEGURE la pistola a gatillo en la posición "OFF" siempre que cambie las boquillas de conexión rápida. ¡NUNCA mire directamente en la boquilla! ¡El agua a alta presión crea un riesgo de lesiones graves!
9. No permita que la unidad funcione en un modo de derivación (con el gatillo cerrado) por más de tres minutos sin accionar el gatillo de la pistola. El no seguir esta simple regla puede causar la falla prematura de los sellos del empaque de la bomba, resultando en una reparación costosa a la misma.



### ADVERTENCIA

**¡RIESGO DE INYECCION  
CAUSANTE DE LESIONES  
GRAVES!**

**¡MANTENGASE ALEJADO DE LA  
BOQUILLA! ¡NUNCA COLOQUE  
LA MANO NI LOS DEDOS  
EN FRENTE DE LA BOQUILLA!**

**¡NO DIRIJA LA CORRIENTE  
DE DESCARGA HACIA LAS  
PERSONAS O LOS ANIMALES  
DOMESTICOS!**

**¡PARA PREVENIR UNA  
DESCARGA ACCIDENTAL  
ASEGURESE QUE EL CONJUNTO  
DE LA BOQUILLA AJUSTABLE  
ESTE SEGURAMENTE  
CONECTADO A LA VARA!**



### PRECAUCION

**RIESGO DE DAÑO**

**NO DIRIJA CONTINUAMENTE  
EL PATRON DE ROCIADO  
EN UNA SECCION DE LA  
SUPERFICIE DURANTE UN  
PERIODO PROLONGADO DE  
TIEMPO. PUEDEN OCURRIR  
POSIBLES DAÑOS.**

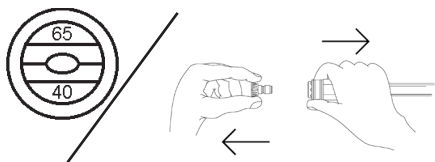
# INSTRUCCIONES DE OPERACION

10. Puede haber muchas tareas de limpieza que pueden efectuarse sin el uso de detergentes, a causa que la lavadora a presión suministra un rociado a alta presión y una variedad de patrones de rociado. Vea "Limpieza con detergentes", para los procedimientos correctos, si se requiere un agente de limpieza.

---

## LIMPIEZA CON DETERGENTES

### QUICK CONNECT DETERGENT



1. Refiérase a las "Precauciones de limpieza con detergentes", pág. 32. Asegúrese de usar vestimenta protectora de seguridad según lo mencionado en la pág. 36.
2. Aprisa conecte el inyector detergente entre el enchufe de la unidad y la manguera de alta presión.
3. Prepare la solución de detergente de acuerdo con las instrucciones del rótulo. Nunca bombee ácidos, alcalinos, fluidos abrasivos o solventes a través de la unidad.
4. De unidad están equipadas con un botón ajustable, puded ajustar la cantidad de detergente deseado, girando el botón completamente en contra de reloj, para ajustar a razón de sifón máxima.
5. Sumerja el tamiz dentro de la solución del detergente para permitir que este último circule por sifón.
6. Dé vuelta a la manija de control de presión a la izquierda a una presión más baja y divierta el agua atraviesan el inyector del jabón.

**NOTA:** *Este sistema de inyección está diseñado para aplicar detergentes a baja presión solamente. No permitirá que se introduzcan soluciones de detergente en el sistema a menos que la boquilla del detergente esté instalada en el modo de alta presión.*

7. Desenganche la pistola a gatillo y accione el gatillo, para aplicar la solución. Una mezcla de detergente/agua saldrá de la boquilla de baja presión en unos pocos momentos. Comience rociando la porción inferior de la superficie que está siendo limpiada y muévase hacia arriba usando pasadas largas superpuestas. El aplicar desde abajo hacia arriba ayuda a evitar el estriado. Permita que se empape brevemente. (Para minimizar la posibilidad de que se seque el detergente, lo que puede resultar en daños a las superficies pintadas, evite trabajar sobre superficies calientes o bajo la luz directa del sol.) Asegúrese de enjuagar una sección pequeña por vez.
8. Cuando usted acaba el lavarse, aclare simplemente dando vuelta a la manija de control variable de presión a la derecha. Llevará 30 segundos aproximadamente purgar todo el detergente de la tubería. Comience en la parte superior y trabaje hacia abajo, para obtener los mejores resultados del enjuague.
9. Después de cada uso, extraiga por sifón un galón de agua del sistema de inyección de detergente a baja presión. Esto evita la posibilidad de corrosión o de que el residuo de detergente cause problemas mecánicos durante el próximo uso.

---

## APAGADO:

1. Para apagar la unidad, mueva el interruptor On/Off a la posición "OFF".
2. CIERRE el suministro de agua.
3. Accione momentáneamente el gatillo de la pistola para descargar toda la presión interna, apuntando la pistola en una dirección segura.
4. Desconecte el conjllunto de la boquilla, una vez que se haya eliminado la presión.
5. Desconecte la unidad de la fuente de potencia.
6. Drene la pistola, la vara y las mangueras. Desconecte las mangueras, una vez drenado.
7. Limpie la unidad con un paño y almacene con la pistola, la vara y las mangueras en un área segura.



# INSTRUCCIONES DE OPERACION

## **TIEMPO RETRASO APAGADO:**

Una vez que el disparador del arma de aerosol sea lanzamiento, el contador de tiempo de la parada se activa. La máquina continuará funcionando en modo de puente hasta que el contador de tiempo alcanza su preestableció la hora, 2-3 minutos. Cuando se alcanza ese vez, la máquina cierra abajo. Para reajustar, empuje el interruptor de la bomba a la posición de "on".

## **OPCIÓN DE AUTOENCENDER (CX-0112):**

Unidades que tienen opción CX-0069, autoencender, funcionará similiar al tiempo estándar de apagado retardada con excepción que la unidad volverá a ponerse en marcha automáticamente cuando el gatillo de la pistola está comprometido. El cierre del gatillo de pistola debe estar cerrado en la posición de OFF siempre cuando no está usando. Esta unidad debe apagado después de uso como doblando el interruptor de ON/OFF en panel del control a posición de OFF.

# ALMACENAMIENTO Y MANTENIMIENTO

## MANTENIMIENTO ESPECIFICO:

**BOMBA:** El aceite de la bomba debe ser cambiado después de las primeras 25 horas de operación en todas las unidades. Se recomienda intervalos de 250 horas, después de la carga inicial. Pueden requerirse cambios con mayor frecuencia, si el aceite parece sucio o lechoso. Use aceite para bombas de especificado y llene sólo hasta la marca en el vidrio. NO llene en exceso.

**BOQUILLAS:** El agua que fluye a través de la boquilla de rociado de conexión rápida desgastará y agrandará el orificio, resultando en una pérdida de presión. Deberían reemplazarse las boquillas siempre que la presión sea menor que el 85% del máximo. La frecuencia de reemplazo dependerá de tales variables tales como el contenido mineral en el agua y el número de horas que se usa la boquilla.

**ACOPLES RAPIDOS:** Hay un sello del anillo en o dentro de acople rápido hembra en la salida de agua de su unidad. Este anillo en o se deteriorará, o se saldrá de lugar si se permite que la unidad bombee sin la manguera de alta presión. Simplemente inserte un anillo de repuesto para corregir la pérdida. (Pueden comprarse anillos en o adicionales de su distribuidor).

## PREPARACION PARA EL INVIERNO:



### **ADVERTENCIA**

**¡RIESGO QUE LA UNIDAD REVIENTE!**

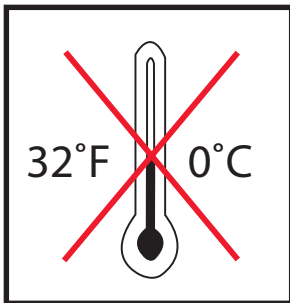
**¡NO ALMACENE/OPERE LA UNIDAD EN UN AMBIENTE HELADO!**

Será necesario preparar esta unidad para el invierno, para fines de Almacenamiento y transporte en temperaturas ambiente inferiores al punto de congelación. Esta unidad debe protegerse contra la temperatura más baja incurrida por las siguientes razones:

1. Si se congela cualquier parte del sistema de bombeo puede acumularse una presión excesiva en la unidad, lo que podría causar que la misma reviente resultando en lesiones posibles graves al operador o a los observadores.
2. El sistema de bombeo de esta unidad puede resultar dañado permanentemente si se congela. **LOS DAÑOS POR CONGELACION NO ESTAN CUBIERTOS POR LA GARANTIA.**

Usted puede proteger su unidad siguiendo el procedimiento indicado abajo, si debe almacenarla en un lugar donde la temperatura puede descender por debajo de los 32°F.

1. Reúne los artículos siguientes:
  - a. Dos recipientes de 5 galones.
  - b. Un galón de anticongelante. (El fabricante recomienda un anticongelante seguro para el medio ambiente.)
  - c. Suministro de agua.
  - d. Una manguera de tres pies de largo con un D.I. de 1/2-3/4 y con un adaptador macho de manguera de jardín de 3/4 de pulgada.
2. Procedimiento:
  - a. Para comenzar a preparar su unidad para el invierno, la misma debe hacerse funcionar y cebarse de acuerdo con los "Procedimientos de Arranque" indicados.
  - b. Apague la unidad y corte el suministro de agua, después de hacerla funcionar y cebarla.
  - c. Elimine la presión del sistema apuntando la pistola a gatillo hacia una dirección segura y accionando el gatillo hasta que el flujo de agua cese de salir por la boquilla.
  - d. Asegure la pistola a gatillo en la posición OFF y retire la boquilla.
  - e. Retire la manguera de suministro de agua de la unidad y fije seguramente la manguera de 3 pies a la conexión de entrada.



# ALMACENAMIENTO Y MANTENIMIENTO

- f. Si fuera aplicable apague el inyector de detergente.
- g. Llene con agua un balde de 5 galones.
- h. Manteniendo la manguera de 3 pies en una posición vertical, llénela completamente con agua. A continuación tapone la salida de la manguera con su dedo pulgar u otro dedo. Coloque el extremo taponado dentro del balde de agua de 5 galones.
- i. Arranque la unidad. Accione varias veces el gatillo de la pistola hasta que todo el aire haya salido del sistema (la unidad está cebada).
- j. Por medio de la acción de sifón extraiga suficiente agua del balde de 5 galones hasta que haya justo suficiente agua restante para mezclar con el anticongelante, con la pistola a gatillo mantenido abierto.

**NOTA:** La preparación apropiada para el invierno está basada en las instrucciones recomendadas del fabricante incluidas en la "Tabla de Protección" mostrada en el rótulo posterior de la mayoría de los recipientes de anticongelantes.

- k. Apunte la vara hacia el recipiente vacío.
  - l. Accione el gatillo de la pistola hasta que el anticongelante comience a salir por la vara. Suelte el gatillo por 3 segundos, a continuación accione el gatillo de la pistola por 3 segundos. Continúe ciclando la pistola varias veces hasta que toda la mezcla anticongelante es extraída del recipiente por la acción de sifón.
  - m. Separe la manguera de 3 pies de la unidad y drene todo el exceso restante de anticongelante dentro del recipiente de 5 galones.
  - n. Desconecte el conjunto de manguera/pistola/vara de la unidad y drene todo el exceso restante de anticongelante dentro del recipiente de 5 galones.
  - o. Almacene la manguera, la pistola y vara junto con la unidad, en un lugar seguro.
  - p. Almacene la solución anticongelante para un uso ulterior o descártela de acuerdo con las leyes de protección del medio ambiente correspondientes.
3. Procedimiento opcional:
- a. Apague la unidad y corte el suministro de agua.
  - b. Elimine la presión del sistema apuntando la pistola a gatillo hacia una dirección segura y accionando el gatillo hasta que el flujo de agua cese de salir por la boquilla.
  - c. Desconecte y drene la manguera, la pistola y la vara.
  - d. Arranque la unidad y permita que funcione hasta que toda el agua salga de la misma. Apague una vez que el agua ha cesado de fluir de la unidad.

**NOTA:** Debe ejercerse precaución al usar este procedimiento, ya que pueden formarse plaquitas de hielo de las gotas de agua, lo que podría causar que la unidad reviente si se arranca antes de estar completamente descongelada.

---

## ARRANQUE DE LA UNIDAD DESPUES DE UN ALMACENAMIENTO PROLONGADO:

- 1. ASEGURE que la unidad NO esté enchufada a la fuente de potencia.
- 2. Derrita todo el hielo eventual de la vara, la pistola, la manguera y la unidad, antes de arrancar la unidad.
- 3. Arranque la unidad momentáneamente y apáguela inmediatamente para asegurarse que todas las piezas están lubricadas antes de la operación, después de seguir todas las instrucciones de "PREPARACION".

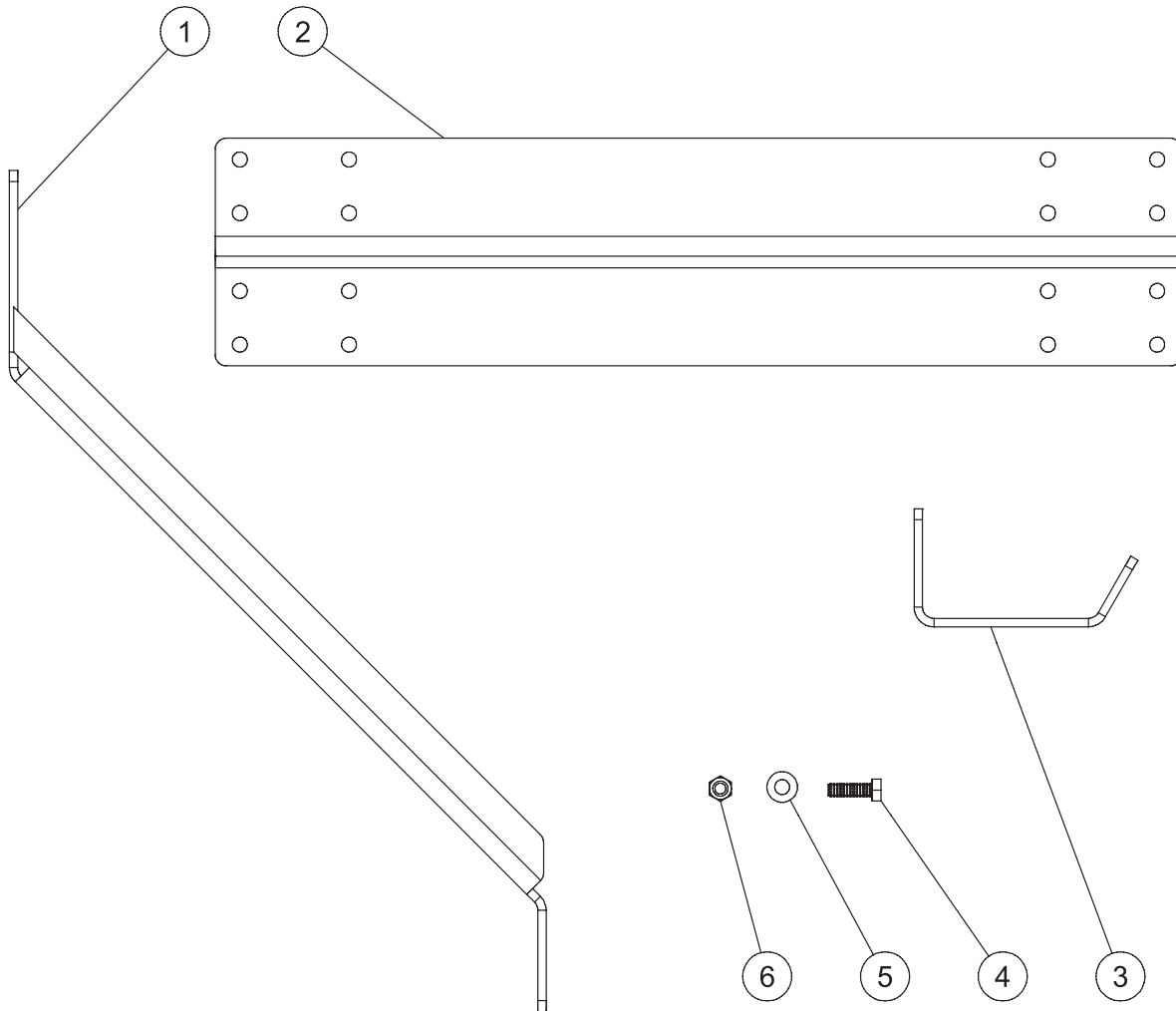
# INSTALACIÓN DEL MONTAJE DE PARED

**POR FAVOR LEA TODAS LAS INSTRUCCIONES DE INSTALACIÓN ANTES DE INSTALAR.**

Se enumeran a continuación los contenidos del Kit de Montaje en Pared. Los tornillos (4), tuercas (5) y arandelas (6) incluidos son para el montaje de los soportes de apoyo sólo al marco de la unidad. Debido a las circunstancias únicas de cada instalación, el instalador será responsable para el hardware a sujetar la unidad a la superficie de montaje.

**El kit de montaje en pared debe ser fijado a una pared o estructura capaz de soportar una carga de peso de mínimo 750 libras de peso, tales como una estructura 4 X 4 de madera tachonada o estructura de acero tachonado de mínimo ¼ pulgada y/o el marco.**

**Un contratista con licencia de construcción debe realizar el montaje del soporte a la pared para asegurar la resistencia y la fuerza apropiada de apoyo.**



ITEM	# DE PIEZA	DESCRIPCIÓN	CANT
1	13-0237	SOPORTE PARA MONTAJE EN PARED	2
2	13-0238	SOPORTE ESPACIADOR	1
3	13-0240	SOPORTE DE SUSPENSIÓN DE LA MANGUERA	1
4	27-0067	TORNILLO	8
5	28-0003	ARÁNDELA	16
6	30-0157	TUERCA	8

# INSTRUCCIONES DE MONTAJE EN PARED DE LA UNIDAD

Determine una ubicación para instalar la unidad con una cantidad adecuada de espacio para la unidad y montar con espacios adecuados lejos de otros objetos o riesgos. Deje suficiente espacio para colocar la arandela de presión por encima de esto patrones de agujeros.

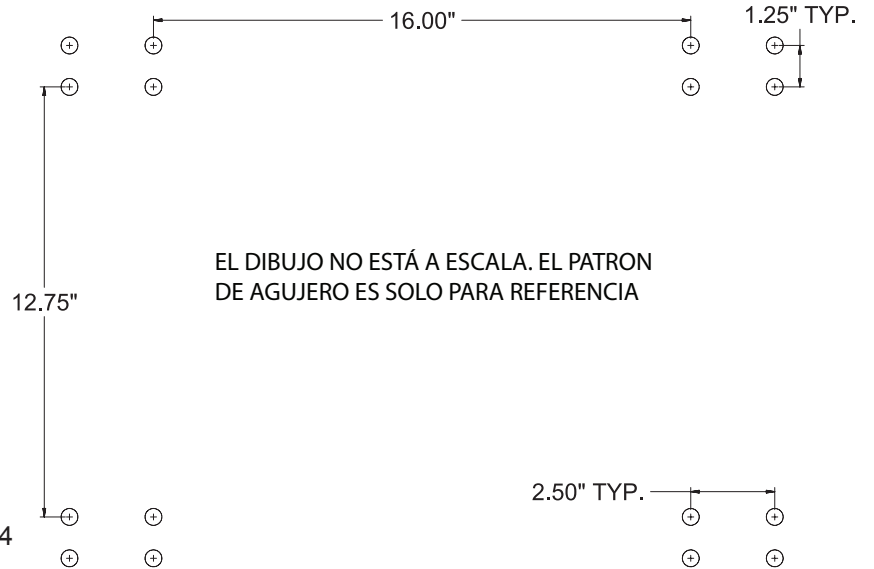


Figura 1: Patron de agujero 2004 y 3004

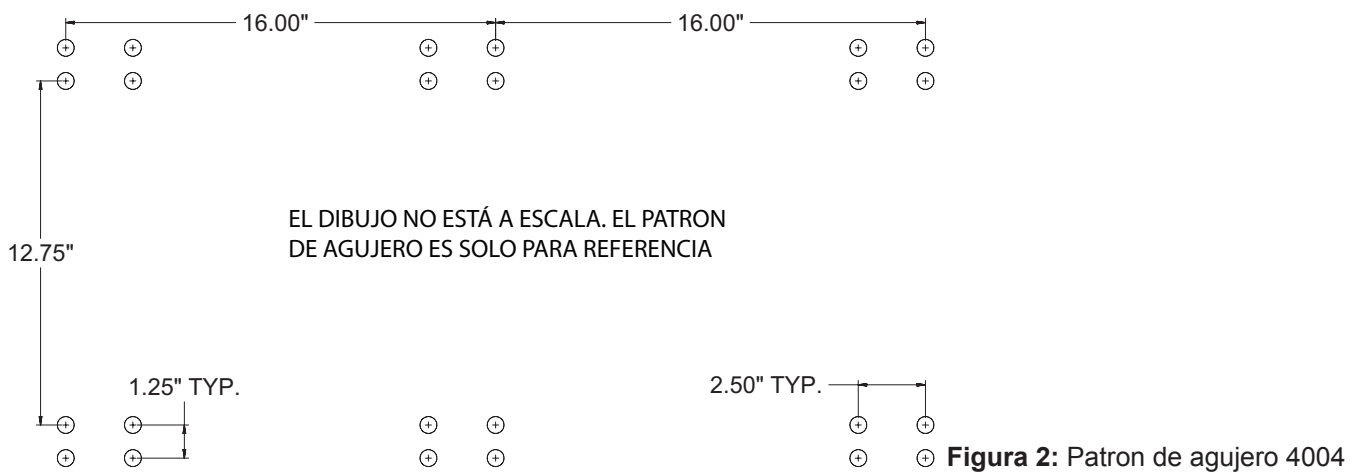
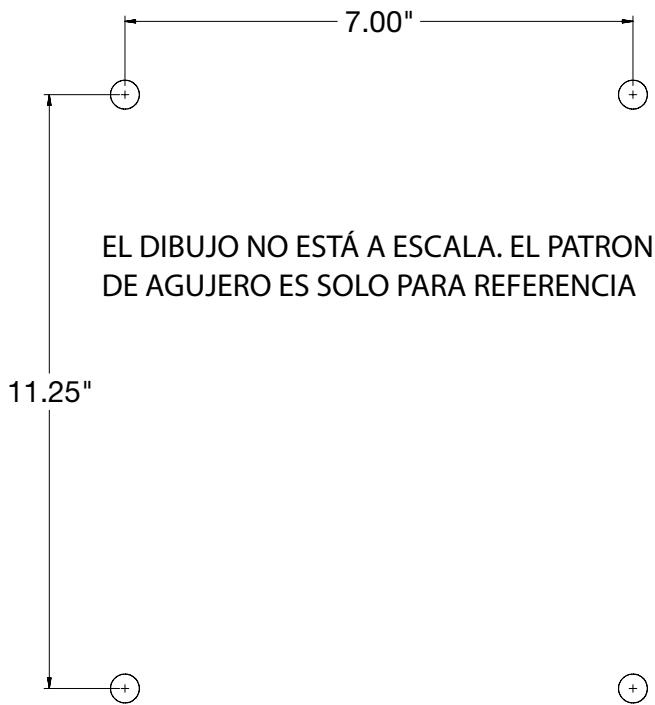


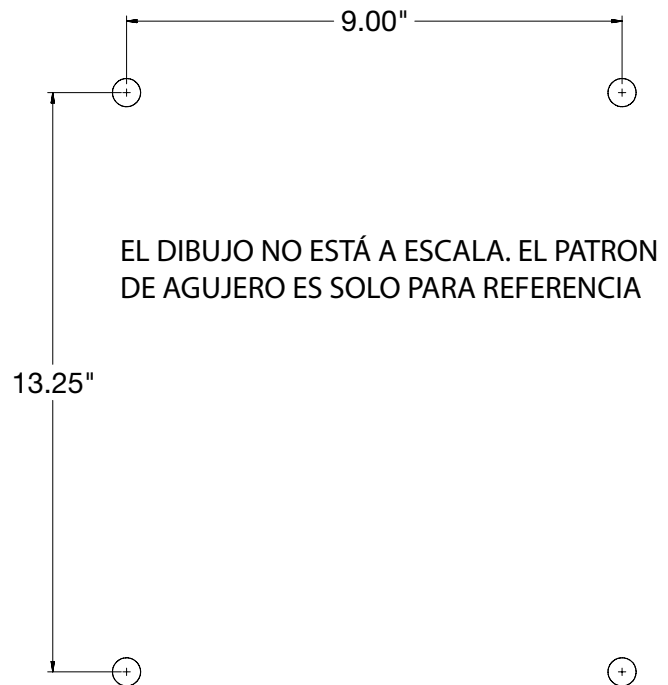
Figura 2: Patron de agujero 4004

# INSTRUCCIONES DE MONTAJE DE CAJA ELÉCTRICA

Determine una ubicación para instalar la unidad con una cantidad adecuada de espacio para la unidad y montar con espacios adecuados lejos de otros objetos o riesgos. Deje suficiente espacio para colocar la arandela de presión por encima de esto patrones de agujeros.



⊕ **Figura 3:** Patrón de agujeros para caja eléctrica 6 and 8 HP units

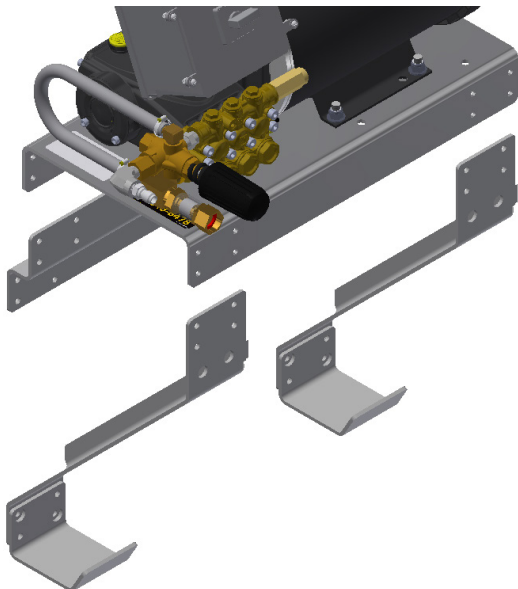


**Figura 4:** Patrón de agujeros para caja eléctrica 10 HP units

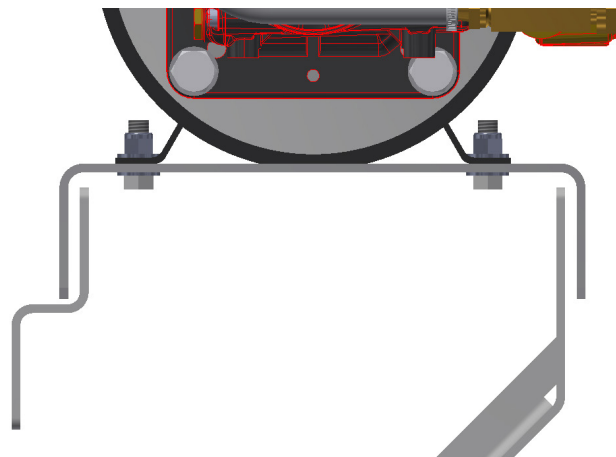
# INSTALACIÓN DEL MONTAJE DE PARED

## MONTAR DEL ESPACIADOR Y LOS SOPORTES DE MONTAJE DE PARED:

Utilizando el patron de agujero para la unidad que está siendo instalada, marque y perforo los agujeros. Monte el Soporte Espaciador (2) a la pared en el conjunto superior de agujeros. Monte los Soportes de Montaje de Pared (1) a la pared en el conjunto inferior de agujeros.



**FIGURA 5:** Unidad de Montaje en el Soporte Espaciador (2)



**FIGURA 6:** Unidad localizado en el Soporte Espaciador (2) y Soporte de Montaje de Pared (1)

## MONTAR DEL ESPACIADOR Y LOS SOPORTES DE MONTAJE DE PARED:

Utilizando personal y/o equipo apropiado para levantar la unidad, ponga la unidad en el Soporte Espaciador (2). Continúe levantar la unidad hasta que la placa base está atornillado al Soporte Espaciador utilizando artículos 4, 5, y 6 previstos. Estos pueden ser dejados sueltos hasta que todos los tuercas y tornillos se inician. Sujete los Soportes de Montaje de Pared (1) a la placa base utilizando los tuercas y tornillos restantes (4, 5, y 6). Apriete todos los tuercas y tornillos. Compruebe que la unidad está sujetado y seguro antes de operar.

**⚠ ADVERTENCIA:** *Estas unidades pueden ser pesadas. Asegúrese que hay apropiado y suficiente personal y/o equipo disponible para levantar y sujetar!*

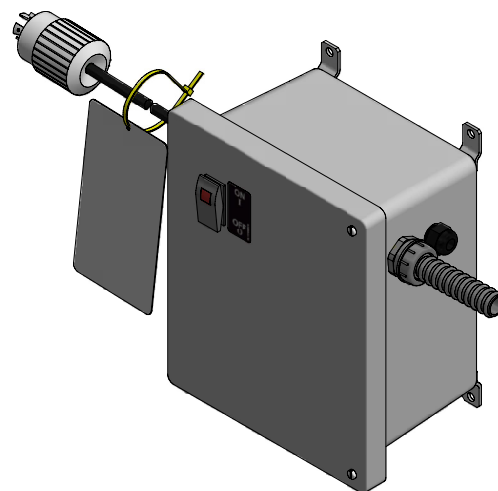
## MONTAR EL SOPORTE DE LA SUSPENSIÓN DE LA MANGUERA:

El Soporte de la Suspensión de la Manguera (3) puede ser montado a cualquier de los conjuntos de agujeros rectangulares 2.50" x 1.25" en la parte frontal de la placa base de la unidad o al parte inferior de los Soportes de Montaje de Pared (1). Para facilitar el montaje, dos tornillos pueden ser puestos a traves de los agujeros inferiores derechos y superiores izquierdos para mantener que la unidad está más seguro durante el montaje del Soporte de Suspensión de la Manguera. Se recomienda que no utilice las arandelas en esos tornillos. Deslice el Soporte de la Suspensión de la Manguera sobre las cabezas de tornillos de los primeros dos tornillos y alinee con los otros dos agujeros y sujételos.

**NOTA:** *Es posible que los dos tornillos en el superior derecho y inferior izquierdo del conjunto de agujeros dónde está montado el Soporte de Suspensión de la Manguera necesiten ser mas largos para compensar el espesor de material extra. Este hardware es única a cada instalación y necesitará ser obtenido por instalador antes de instalar.*

## MONTAJE DE CAJA ELÉCTRICA:

Usando el patrón de agujeros para la caja eléctrica que se está instalando, marque y taladre los agujeros. Ubique la caja eléctrica en una ubicación conveniente en la pared para facilitar el acceso y la solución de problemas.



# LOCALIZACION DE FALLAS

SINTOMA	CAUSA PROBABLE	SOLUCION
El motor de la bomba no arranca o se apaga durante el funcionamiento.	Interruptor de circuito activado o circuito quemado en la caja de circuito quemado en la caja de fusibles.	Desconecte todos los otros enchufes del circuito que está siendo usado y reponga el interruptor de circuito o inspeccione y reemplace el fusible.
	Interruptor de circuito activado en la unidad.	Permita que la unidad se enfríe y vuelva a arrancar.
	Sobrecarga del motor.	Restablezca el botón de sobrecarga térmica del motor de la bomba o dentro del tablero de control eléctrico.
	La unidad están congelados.	Permita que se descongele. Si alguna posible que se acumule la presión, lo cual podría ocasionar que la unidad reviente y consecuentement provoque lesiones graves al operador o las personas que se encuentren alrededor.
Se activa el interruptor de circuito o se quema el fusible en la caja de fusibles.	Sobrecarga del circuito.	Verifique que el circuito esté clasificado a 15 amperios o más. Desconecte todos los enchufes en e circuito.
	Demasiada presión.	Reduzca la presión usando la perilla de ajuste de presión.
Se activa el GFCI.	Voltaje incorrecto.	Asegúrese que el suministro eléctrico sea de 120 Voltios/15 Amperios/60 Hertz/Monofásico.
	Corto circuito interno.	Consulte con el Centro de Servicio.
El motor funciona pero no hay descarga en la boquilla cuando se acciona el mecanismo del gatillo.	Suministro inadecuado de agua.	Asegure que la manguera tenga $\frac{3}{4}$ de diámetro y que esté abierto el suministro de agua entrante.
	Doblez en la manguera de entrada de agua.	Elimine el doblez.
	Doblez en la manguera de descarga de alta presión.	Reemplace la manguera.
Presión baja o fluctuante.	Está obstruido el tamiz de la entrada de agua.	Retire el filtro, limpie o reemplace.
	La bomba absorbe aire (eliminado el cebado).	Ajuste todas las conexiones de toma de agua. Elimine pérdidas en la línea de toma.
	No está en el modo de alta presión.	Para enganchar el modo de alta presión, tire de la cubierta de la boquilla hacia la pistola.
	Orificio obstruido o gastado.	Retire y limpie, o reemplace.
	La válvula de derivación no está funcionando correctamente.	Repárelos o cámbielos.
	Empaques de la bomba desgastados.	Cambie los empaques.
	El descargador o la válv. de desviación no trabajan bien.	Repárelos o cámbielos.



## LOCALIZACION DE FALLAS

SINTOMA	CAUSA PROBABLE	SOLUCION
El agua se está escapando de la válvula de alivio térmico.	Temperatura del agua muy alta.	La temp. del agua de entr. debe ser inferior a 140° F (78° C).
	Temperatura del agua muy alta en la unidad.	No deje a la unidad trabajar en modo de desviación (con la pistola cerrada) más de 5 minutos.
	Válvula defectuosa.	Cámbiela.
Aceite lechoso o espumoso.	Hay agua en el aceite.	Cambie el aceite de la bomba. Llénela al nivel adecuado.
Fuga de aceite en la unidad.	Sellos o aros tóricos desgastados.	Hable al dep. de servicio al cliente.
El detergente no fluirá por sifón en el modo de detergente a baja presión.	El tamiz de detergente no está completamente sumergido en la solución de detergente.	Inspeccione; sumerja si fuera necesario.
	El tamiz del detergente está obstruido.	Inspeccione, limpie o reemplace.
	La manguera de detergente está obstruida o cortada.	Inspeccione, limpie o reemplace.
	Perilla de ajuste de deterg. está en la posición cerrada.	Abra la perilla. Consulte "Limpieza con detergentes".
	No está en el modo de baja presión.	Empuje la cubierta de la boquilla alejada de la pistola.
	La boquilla del detergente está taponada.	Limpie o reemplace.
	Hay demasiadas extensiones de las mangueras de alta presión conectadas a la salida de agua.	Use una extensión como máximo.
	Están atascados la bolilla y el resorte del Venturi.	Retire, limpie o reemplace.
El flujo de agua retrocede al recipiente del detergente.	La esfera y el resorte en el Venturi están invertidos, faltan o están desgastados.	Saque, limpie o reemplace.
Cuando la pistola de gatillo está asegurado en la posición "OFF", el agua fluye desde la boquilla.	La pistola funciona mal.	Repárelos o cámbielos.

## DECLARACIÓN DE GARANTÍA

El fabricante garantiza que todas las piezas (excepto aquellas a las que se hace referencia abajo), de su nueva lavadora a presión. Cestán libres de defectos en materiales y mano de obra durante los periodos siguientes:

Para un curso de la vida contra congelar y agrietarse:  
Colector de bomba

Por cinco (5) años a partir de la fecha original de compra:  
Bomba de Alta Presión

Por dos (2) años a partir de la fecha original de compra:  
Montaje de Marco                      Tuberías

Por una (1) años a partir de la fecha original de compra:  
Enciende/apaga la luz

Por noventa (90) días a partir de la fecha original de compra:  
Manguera de alta Presión                      Pistola de Gatillo  
Válvulas de Descargador                      Filtro

Las piezas defectuosas que no están sujetas a deterioro causado por el uso serán reparadas o reemplazadas a nuestra opción durante el periodo de garantía. En todo caso, el reembolso está limitado al precio de compra pagado.

### EXCLUSIONES

1. El motor está cubierto bajo una garantía separada proporcionada por el fabricante respectivo y está sujeta a los términos en ella establecidos.
2. Partes de desgaste normal:  
Empaques de las Bombas                      Válvulas de la Bomba  
Boquillas    Válvulas del Detergente  
Círculo    Connexión Rapida
3. Esta garantía no cubre las piezas dañadas debido al deterioro normal causado por el uso, mala aplicación, mal uso, operación a velocidades, presiones o temperaturas diferentes a las recomendadas. Las piezas dañadas o gastadas a causa del uso de líquidos cáusticos o por la operación en medios ambientes abrasivos o corrosivos o bajo condiciones que causan cavitación de la bomba no están garantizadas. La falla en seguir los procedimientos recomendados de operación y mantenimiento también cancela la garantía.
4. El uso de piezas de repuesto diferentes a las genuinas fabricado cancelará la garantía. Las piezas devueltas, con franqueo pagado a un Centro de Servicio Autorizado serán inspeccionadas y reemplazadas, libre de cargos, si se determina que están defectuosas y sujetas a la garantía. No existen garantías que se extiendan más allá de la descripción contenida aquí. Bajo ninguna circunstancia el fabricante será responsable por la pérdida de uso de la unidad, pérdida de tiempo, inconvenientes, pérdida comercial o daños consecuentes.

### PARA SERVICIO O CONSIDERACION DE LA GARANTIA CONSULTE CON:

Telefono: 563-556-7484/Telefone gratis en los EE. UU.: 800-553-9053

Fax 563-556-1235

Lunes - Viernes 8:00 a.m. - 5:00 p.m. CST



