

PARTS LIST FOR
4004 SERIES
PORTABLE/ALUMINUM
GASOLINE DRIVEN/DIRECT DRIVE
COLD WATER PRESSURE WASHER

Engine Oil Grade:	SAE10W-30	
Engine Oil Capacity:	Honda 37 oz.	
Pump Oil Grade:	SAE20 or 30 Non-Detergent	
Pump Oil Capacity:	General	41 oz.
	AR	18.5 oz.
Nozzle Size:	General	4.0
	AR	3.5

This Parts Listing has been compiled for your benefit. You can be assured your new Cold Water Pressure Washer was constructed and designed with quality and performance in mind using over 25 years experience in the pressure washer business. Each component has been rigorously tested to insure the highest level of acceptance.

The contents of this Parts Listing are based on the latest product information available at the time of publication. The manufacturer reserves the right to make changes in price, color, materials, equipment, specifications or models at any time without notice.

WARNING

THIS IS A PROFESSIONAL HIGH PRESSURE, COLD WATER PRESSURE WASHER. CAUTION SHOULD BE OBSERVED WHEN USING OR REPAIRING THIS UNIT! READ AND FOLLOW THE SAFETY WARNINGS LISTED BELOW BEFORE ATTEMPTING ANY REPAIRS ON THIS PRESSURE WASHER!

SAFETY WARNINGS

1. NEVER alter or modify the equipment. Be sure any accessory items and system components being used will withstand the pressure developed. Use only genuine manufactured parts for repair of your pressure washer. Failure to do so can cause hazardous operating conditions and will VOID warranty.
2. NEVER make adjustments on machinery while the unit is connected to the power source. Turning over the machinery by hand during adjustment or cleaning might start the machinery, causing serious injury to the operator.
3. Know how to stop and bleed pressures quickly. Be thoroughly familiar with controls.
4. Before servicing the unit, turn unit off, relieve the water pressure and allow the unit to cool down. Do not make repairs while the unit is running. Service in a clean, dry, flat area.
5. After testing the machine, DO NOT leave the pressurized unit unattended. Shut off the unit and release trapped pressure before leaving.

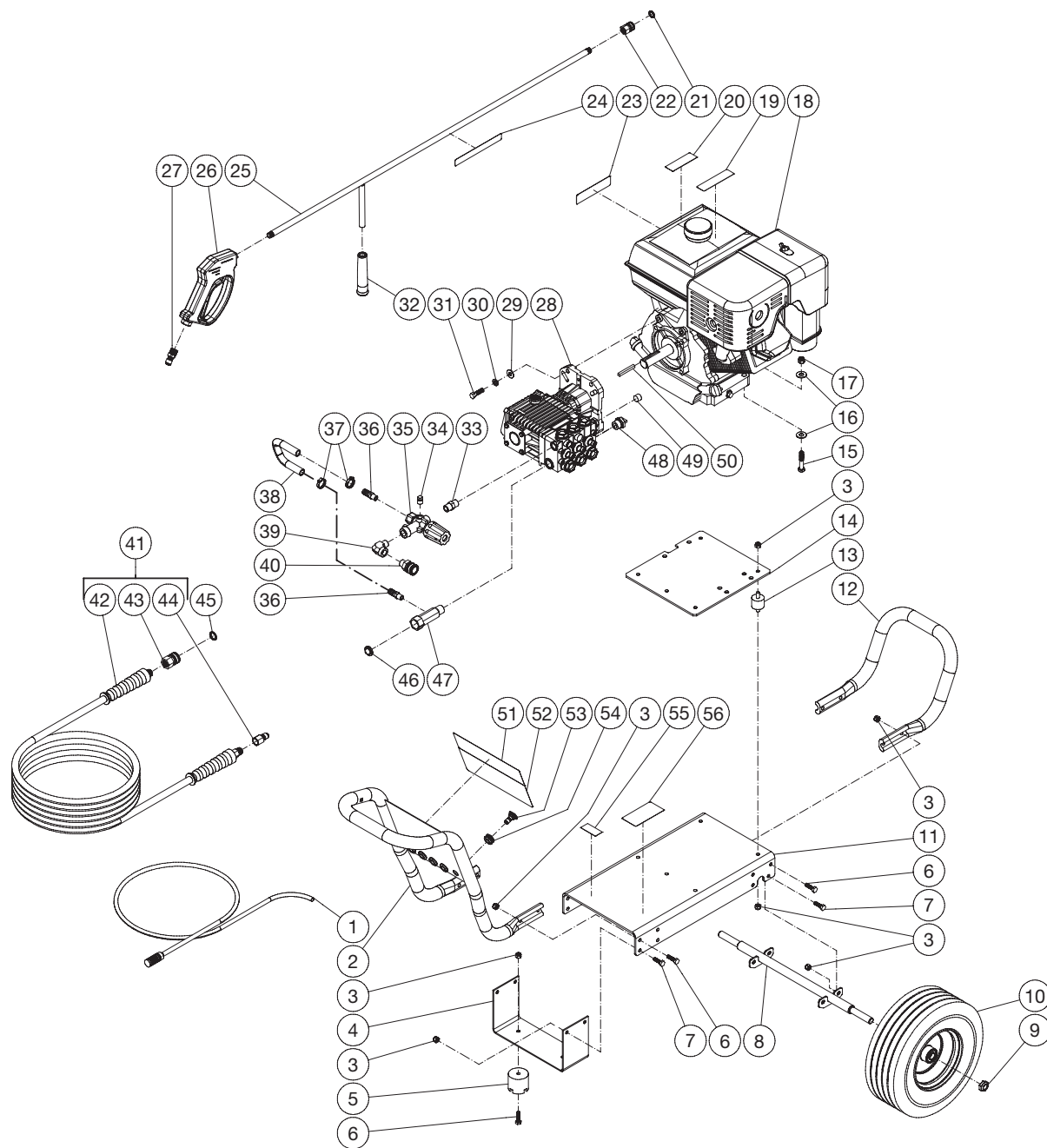
Table of Contents

SPECIFICATIONS	3
FRAME ASSEMBLY	4
PUMP ASSEMBLY (3-0310)	6
PUMP ASSEMBLY (3-0350)	8
UNLOADER ASSEMBLY (8-0361)	10

SPECIFICATIONS

Operating Pressure (PSI/Bar):	4000 / 275.8	
High Pressure Nozzle:	4.0	3.5
Water Volume (GPM/lpm):	4.0 / 15.1	3.5 / 13.2
Engine:	Honda	
Model	GX390	
Engine Type	4 Stroke, Overhead Valve, Single Cylinder	
Oil Type	SAE10W-30	
Oil Capacity (oz./liters)	37.2 / 1.1	
Low Oil Protection	Oil Alert™	
Fuel Type	Unleaded Gasoline 86 Octane Minimum	
Fuel Capacity (gallon/ liters)	1.61 / 6.1	
Starting	Recoil	
Maximum No Load RPM	3600	
Pump:	Direct Driven, Oil Bath, Triplex Piston	
Model	General	A/R
Oil Type	Pump Oil #AW-4085-0016	
Oil Capacity (oz./liters)	18.5 / .55	
Plungers	Ceramic	
Manifold	Forged Brass	
Valves	Stainless Steel	
Unloader	Adjustable	
Thermal Relief Valve	Relieves heated water during unloader bypass stage	
Unit Net Weight (lbs/Kg)	128 / 58.06	118 / 53.52
Unit Shipping Weight (lbs/Kg)	177.28 / 80.41	168.28 / 76.33
Unit Net Dimension (in/cm)	42.5L x 23.5W x 25H / 108L x 60W x 63.5H	
Unit Shipping Dimension (in/cm)	39.5H x 25W x 31.5H / 100.5L x 63.5W x 80H	

FRAME ASSEMBLY



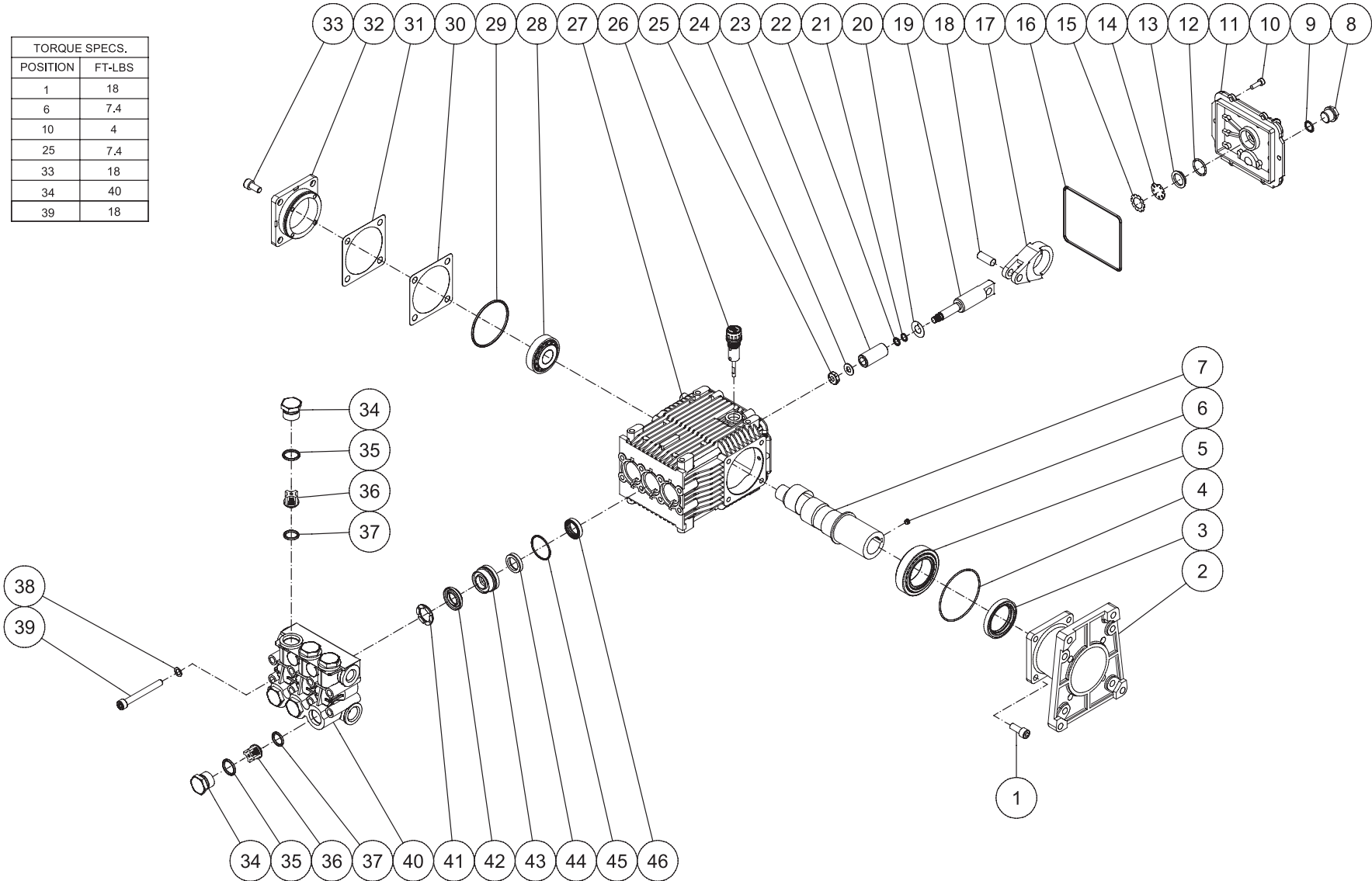
DC-4004-A0H6G_A 052217 JJR

FRAME ASSEMBLY

ITEM	DESCRIPTION	PART #	QTY	ITEM	DESCRIPTION	PART #	QTY
1	DETERGENT HOSE	19-0233	1	33	NIPPLE	24-0010	1
2	HANDLE	7-0182	1	34	PLUG	23-0238	1
3	LOCKNUT	30-0157	26	35	UNLOADER	8-0361	1
4	BRACKET	56-0074	1	36	HOSE BARB	23-0120	2
5	ISOLATOR	14-0008	2	37	HOSE CLAMP	42-0011	2
6	BOLT	27-0068	10	38	HOSE *(TWO FEET REQUIRED)	15-0007	1
7	BOLT	27-0067	8	39	ELBOW	24-0105	1
8	AXLE	13-0236A53	1	40	QUICK CONNECT SOCKET	17-0007	1
9	LOCKNUT	30-0117	2	41	PRESSURE HOSE ASSEMBLY	851-0338	1
10	WHEEL	14-0127	2	42	HOSE	15-0209	1
11	BASEPLATE	5-0207	1	43	QC SOCKET	17-0004	1
12	HANDLE	7-0183	1	44	QUICK CONNECT	17-0006	1
13	ISOLATOR	14-0097	4	45	O-RING	25-0123	1
14	ISOLATION PLATE	56-0053	1	46	FILTER	19-0001	1
15	BOLT	27-0121	4	47	INLET FITTING	23-0516	1
16	WASHER	28-0023	8	48	RELIEF VALVE	22-0005	1
17	LOCKNUT	30-0159	4	49	PLUG (AR)	23-0244	1
18	ENGINE - HONDA	1-0086	1	50	KEY	43-0078	1
19	DECAL - RISK OF BURNS (SEE 71-0065)	N/A	1	51	DECAL	N/A	1
20	DECAL - RISK OF FIRE (SEE 71-0065)	N/A	1	52	DECAL - WARNING/CAUTION/OPERATION (SEE 71-0065)	N/A	1
21	O-RING	25-0122	1	53	NOZZLE (AR)	18-0392	1
22	QUICK CONNECT	17-0001	1	-	NOZZLE (GENERAL)	18-0397	1
23	DECAL - 4000 PSI	N/A	1	-	NOZZLE (AR)	18-0393	1
24	DECAL - RISK OF INJECTION (SEE 71-0065)	N/A	1	-	NOZZLE (GENERAL)	18-0399	1
25	WAND (INC GRIP & QC)	16-0439	1	-	NOZZLE (AR)	18-0395	1
26	GUN	16-0483	1	-	NOZZLE (GENERAL)	18-0400	1
27	QUICK CONNECT	17-0005	1	-	NOZZLE (AR)	18-0396	1
28	PUMP (GENERAL)	3-0350	1	-	NOZZLE (GENERAL)	18-0401	1
-	PUMP (AR)	3-0310	1	54	GROMMET	33-0001	5
29	WASHER	28-0022	4	55	DECAL - MADE IN USA	34-3553	1
30	LOCKWASHER	29-0008	4	56	DECAL - SILVER STICKER	N/A	1
31	BOLT	27-0118	4	-	DECAL SET	71-0065	1
32	GRIP	7-0002	1	*MUST ORDER IN ONE FOOT LENGTHS			

PUMP ASSEMBLY (3-0310)

TORQUE SPECS.	
POSITION	FT-LBS
1	18
6	7.4
10	4
25	7.4
33	18
34	40
39	18

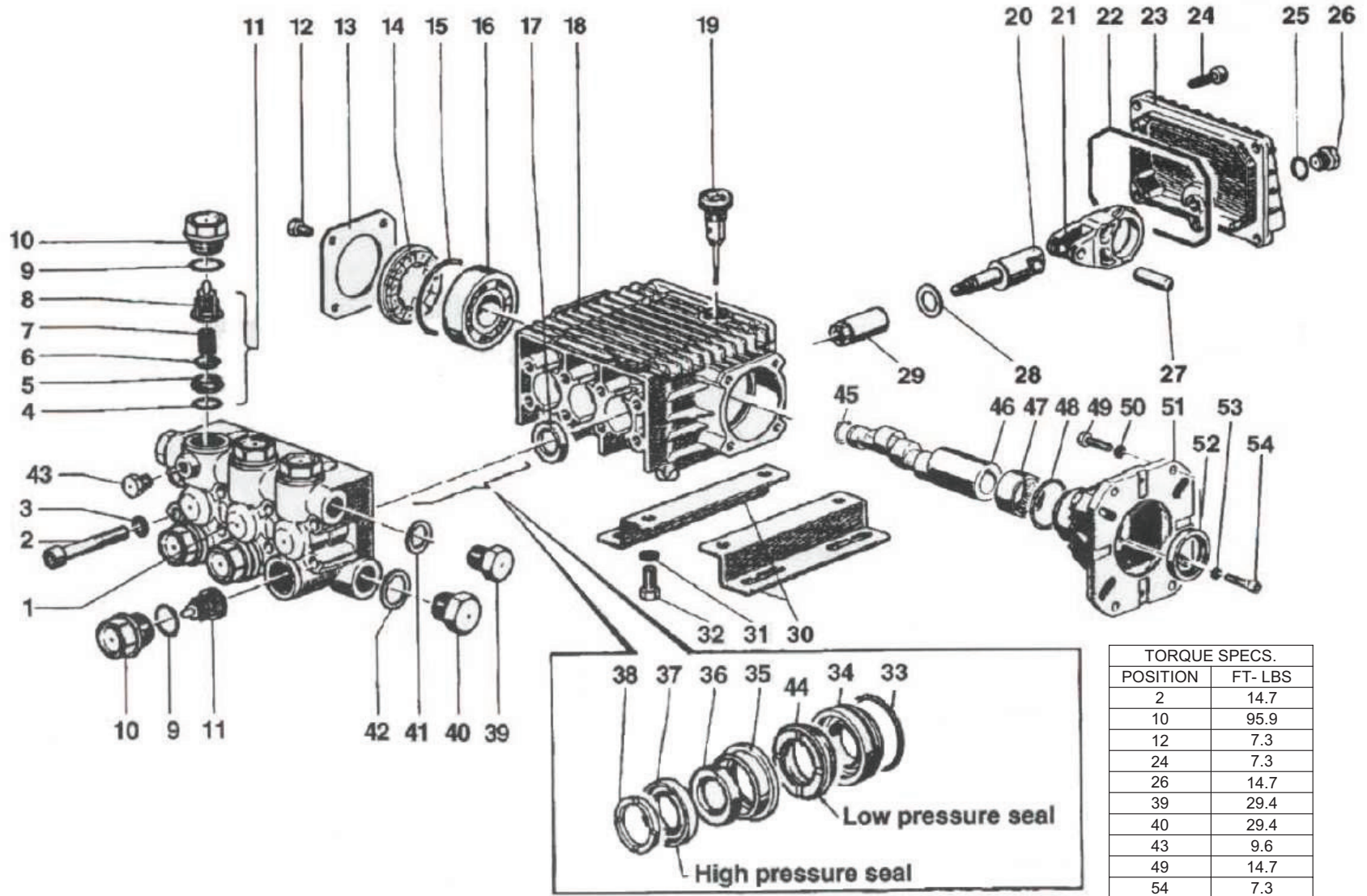


3-0310 120315

PUMP ASSEMBLY							
ITEM	DESCRIPTION	PART #	QTY				
1	SCREW	27-8432	4		24	WASHER/GASKET (SEE KIT 70-0352)	26-0191 3
2	PUMP FLANGE	46-0714	1		25	NUJ (SEE KIT 70-0352)	30-6020 3
3	OIL SEAL (SEE KIT 70-0337)	26-0194	1		26	OIL DIPSTICK	39-0090 1
4	O-RING (SEE KIT 70-0337)	25-0397	1		27	CRANKCASE	46-1198 1
5	BEARING	48-0062	1		28	BEARING	48-0072 1
6	SET SCREW	27-8886	1		29	O-RING (SEE KIT 70-0337)	25-0380 1
7	CRANKSHAFT	46-0959	1		30	SHIM	46-0705 (1-3)
8	PLUG	39-0086	1		31	SHIM	46-0704 (1-3)
9	O-RING	25-0325	1		32	BEARING CAP/SUPPORT	46-0703 1
10	BOLT	27-8885	6		33	BOLT	27-8884 4
11	CRANKCASE COVER	46-0719	1		34	VALVE CAP	39-0095 6
12	O-RING	25-0370	1		35	O-RING	25-0160 6
13	OIL SIGHT GLASS	46-0670	1		36	VALVE (SEE KIT 70-0179)	SEE KIT 6
14	OIL REFLECTOR	46-0824	1		37	O-RING (SEE KIT 70-0179)	25-0386 6
15	SPRING RETAINER	46-0671	1		38	LOCKWASHER	29-0154 8
16	O-RING (SEE KIT 70-0337)	25-0398	1		39	BOLT	27-8440 8
17	CONNECTING ROD	46-0922	3		40	MANIFOLD	46-1186 1
18	PISTON PIN	46-0698	3		41	SUPPORT RING (SEE KIT 70-0178)	46-0710 3
19	PLUNGER ROD	46-0699	3		42	V PACKING (SEE KIT 70-0177)	46-0709 3
20	SLINGER WASHER (SEE KIT 70-0352)	46-0700	3		43	PACKING RETAINER	46-0708 3
21	O-RING (SEE KIT 70-0352)	25-0404	3		44	LOW PRESSURE SEAL (SEE KIT 70-0177)	46-0707 3
22	O-RING (SEE KIT 70-0352)	25-0382	3		45	O-RING (SEE KIT 70-0177)	25-0384 3
23	PISTON (SEE KIT 70-0352)	46-0701	3		46	OIL SEAL (SEE KIT 70-0337)	46-0931 3

REPLACEMENT KITS				
KIT #	DESCRIPTION	ITEMS	# OF ASSEMBLIES	# OF CYLINDERS
70-0337	KIT - OIL SEALS	3,4,16,29,46	1,1,1,1,3	- (3)
70-0352	KIT - PISTONS	20-25	3	3
70-0177	KIT - HIGH PRESSURE SEALS	42,44,45	3	3
70-0178	KIT - SUPPORT RINGS	41	3	3
70-0179	KIT-VALVES	36,37	6	3

PUMP ASSEMBLY (3-0350)



3-0350 091213

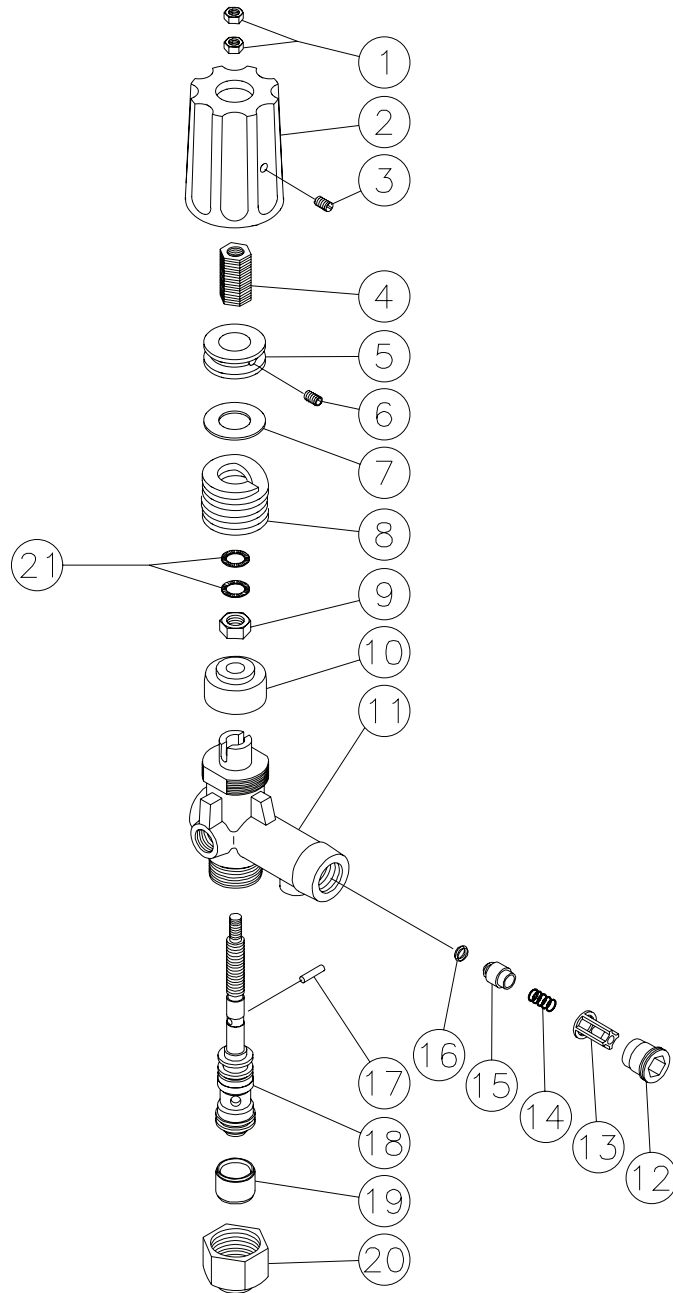
PUMP ASSEMBLY

ITEM	DESCRIPTION	PART #	QTY	ITEM	DESCRIPTION	PART #	QTY
1	MANIFOLD	46-1391	1	28	WASHER	46-1395	3
2	BOLT	27-8439	8	29	PLUNGER, 13 mm	46-1396	3
3	WASHER	29-0154	8	30	RAIL	-	2
4	O-RING (SEE KIT 70-0028)	25-0053	6	31	WASHER	-	4
5	VALVE SEAT (SEE KIT 70-0028)	SEE KIT	6	32	NUT	-	4
6	VALVE PLATE (SEE KIT 70-0028)	SEE KIT	6	33	O-RING (SEE KIT 70-0552)	SEE KIT	3
7	VALVE SPRING (SEE KIT 70-0028)	SEE KIT	6	34	PACKING RETAINER (SEE KIT 70-0552)	SEE KIT	3
8	VALVE CAGE (SEE KIT 70-0028)	SEE KIT	6	35	INTERMEDIATE RING (SEE KIT 70-0552)	SEE KIT	3
9	O-RING	25-0012	6	36	PACKING (SEE KIT 70-0552 & 70-0553)	SEE KIT	3
10	VALVE PLUG	39-0071	6	37	PACKING (SEE KIT 70-0552 & 70-0553)	SEE KIT	3
11	VALVE ASSEMBLY (SEE KIT 70-0028)	46-0565	6	38	HEAD RING (SEE KIT 70-0552)	SEE KIT	3
12	BOLT	27-8000	4	39	CAP SCREW	39-0018	1
13	COVER/CRANKCASE CLOSED	46-0084	1	40	CAP SCREW	39-0019	1
14	SPACER	46-0574	1	41	WASHER	28-0600	1
15	O-RING	25-0060	1	42	WASHER	46-1402	1
16	BALL BEARING	46-1392	1	43	CAP SCREW	39-0032	1
17	OIL SEAL (SEE KIT 70-0391)	26-0046	3	44	SEAL, LOW PRESS (SEE KIT 70-0552 & 70-0553)	SEE KIT	1
18	CRANKCASE	46-0570	1	45	RETAINING RING	46-0104	1
19	OIL DIPSTICK	46-0143	1	46	CRANKSHAFT	46-1404	1
20	PISTON GUIDE	46-1393	3	47	ROLLER BEARING	48-0040	1
21	CONNECTING ROD	46-0572	3	48	O-RING	25-0316	1
22	O-RING	46-1394	1	49	BOLT	-	4
23	REAR COVER	46-0571	1	50	WASHER	-	4
24	BOLT	24-8401	5	51	GAS FLANGE	38-0038	1
25	O-RING	25-0014	1	52	OIL SEAL	26-0181	1
26	CAP SCREW	39-0017	1	53	WASHER	29-0153	4
27	PIN	43-0079	3	54	SCREW	27-8404	4

REPLACEMENT KITS

KIT #	DESCRIPTION	ITEMS	# OF ASSEMBLIES	# OF CYLINDERS
70-0028	KIT - VALVE	4,5,6,7,8,11	6,6,6,6,6,6	3
70-0391	KIT - OIL SEAL	17	3	3
70-0552	KIT - PRESSURE SEAL	33,34,35,36,37,38,44	1,1,1,1,1,1,1	1
70-0553	KIT - GENERAL PRESSURE SEAL	36,37,44	3,3,3	3

UNLOADER ASSEMBLY (8-0361)



UNLOADER (850-0252)			
REF. #	DESCRIPTION	PART #	QTY.
1	Hex Nut	8-0362	2
2	Cover	7-0098	1
3	Set Screw	27-4280	1
4	Adjusting Insert- Brass	8-0363	1
5	Adjustment Nut	8-0364	1
6	Set Screw	8-0365	1
7	Glide Ring	8-0366	1
8	Spring	49-0104	1
9	Hex Nut	8-0367	1
10	Bushing	8-0368	1
11	Unloader Body	8-0369	1
12	Retainer	8-0269	1
13	Valve Housing	8-0104	1
14	Spring	49-0023	1
15	Valve	8-0105	1
16	O-ring	25-0036	1
17	Cylinder Pin	8-0372	1
18	Piston Repair Kit	70-0243	1
19	Spacer	8-0371	1
20	Stop Nut	8-0157	1
21	Washer	29-0154	2
	Check Valve Repair Kit (Includes 13-16)	70-0244	
	Unloader Complete	850-0252	

