



PARTS LIST FOR  
***GEN-6000-OMHO/OMHE***  
***GEN-6000-OMKO***  
***GEN-6000-OMSO/OMSE*** (after serial #40060725)  
***GEN-7500-OMHO/OMHE***  
***GEN-8000-OMKO/OMKE***  
***GEN-8000-OMSO/OMSE*** (after serial #40058963)

This Parts Listing has been compiled for your benefit. You can be assured your Mi-T-M Generator was constructed and designed with quality and performance in mind using over 25 years experience in the pressure washer business. Each component has been rigorously tested to insure the highest level of acceptance.

The contents of this Parts Listing are based on the latest product information available at the time of publication. Mi-T-M reserves the right to make changes in price, color, materials, equipment, specifications or models at any time without notice.

**WARNING**

CAUTION SHOULD BE OBSERVED WHEN USING OR REPAIRING THIS UNIT! READ AND FOLLOW THE SAFETY WARNINGS LISTED BELOW BEFORE ATTEMPTING ANY REPAIRS ON THIS GENERATOR!

**SAFETY WARNINGS**

1. NEVER alter or modify the equipment. Use only genuine Mi-T-M replacement parts for repair of your generator. Failure to do so can cause hazardous operating conditions and will VOID warranty.
2. NEVER make adjustments on machinery while the unit is connected to the engine without first removing the ignition cable from the spark plug. Turning over the machinery by hand during adjustment or cleaning might start the engine and machinery with it, causing serious injury to the operator.
3. Do not operate the unit without all protective covers in place. Know how to stop the generator and turn off circuits quickly. Be thoroughly familiar with controls.
4. Before servicing the unit, turn unit off and allow the unit to cool down. Do not make repairs while the unit is running. Service in a clean, dry, flat area. Block the wheels to prevent the unit from moving. Be especially careful to properly dispose of any flammable materials.

## Table of Contents

SPECIFICATIONS.....	3
NOTES.....	4
GEN-6000-0MH0/0MHE (AFTER SERIAL #40060725) AND GEN-6000-0MK0.....	6
GEN-6000-0MS0/0MSE (AFTER SERIAL #40060725).....	8
GEN-7500-0MH0/0MHE (AFTER SERIAL #40058963) AND GEN-8000-0MK0/KE.....	10
GEN-8000-0MS0/0MSE (AFTER SERIAL #40058963).....	12
ALTERNATOR ASSEMBLY (32-0826).....	14
ALTERNATOR ASSEMBLY (32-1035).....	16
ELECTRIC BOX ASSEMBLY (32-9502).....	18
ALTERNATOR ASSEMBLY (32-9503).....	20
FUEL TANK ASSEMBLY (856-0027).....	22
WIRE DIAGRAM FOR GEN-6000-0MH0/E & GEN-6000-0MS0/E.....	24
WIRE DIAGRAM FOR GEN-7500-0MH0/E & GEN-8000-0MS0/E.....	25

## SPECIFICATIONS

MODEL NUMBER	GEN-6000-0MH0/E	GEN-6000-0MS0/E	GEN-7500-0MH0/E	GEN-8000-0MS0/E
Engine:	Honda GX390	Subaru EX40	Honda GX390	Subaru EX40
Watts (AC) Rated:	5000W	5000W	6500W	6900W
Watts (AC) Max.:	6000W	6000W	7500W	8000W
Rated Voltage (AC):	120/240V			
Max. Amperage:	50.0A / 25.0A	50.0A / 25.0A	62.5A / 31.3A	66.7A / 33.3A
Cont. Amperage:	41.7A / 20.8A	41.7A / 20.8A	54.2A / 27.1A	57.7A / 28.8A
Frequency:	60Hz			
Fuel Tank Capacity:	7.3 gal.			
Run Time Hours / Tank of Fuel*:	8.0 hrs.	7.9 hrs.	6.9 hrs.	6.7 hrs.
Battery for Electric Start:	Part Number #32-0058			
* Rated at Full Load				

MODEL NUMBER	GEN-6000-0MK0	GEN-8000-0MK0/E
Engine:	Kohler CH440	
Watts (AC) Rated:	5000W	6900W
Watts (AC) Max.:	6000W	8000W
Rated Voltage (AC):	120/240V	
Max. Amperage:	50.0A / 25.0A	66.7A / 33.3A
Cont. Amperage:	41.7A / 20.8A	57.5A / 28.75A
Frequency:	60Hz	
Fuel Tank Capacity:	7.3 gal.	
Run Time Hours / Tank of Fuel*:	7.9 hrs.	6.9 hrs.
Battery for Electric Start:	Part Number #32-0058	
* Rated at Full Load		

---

## NOTES

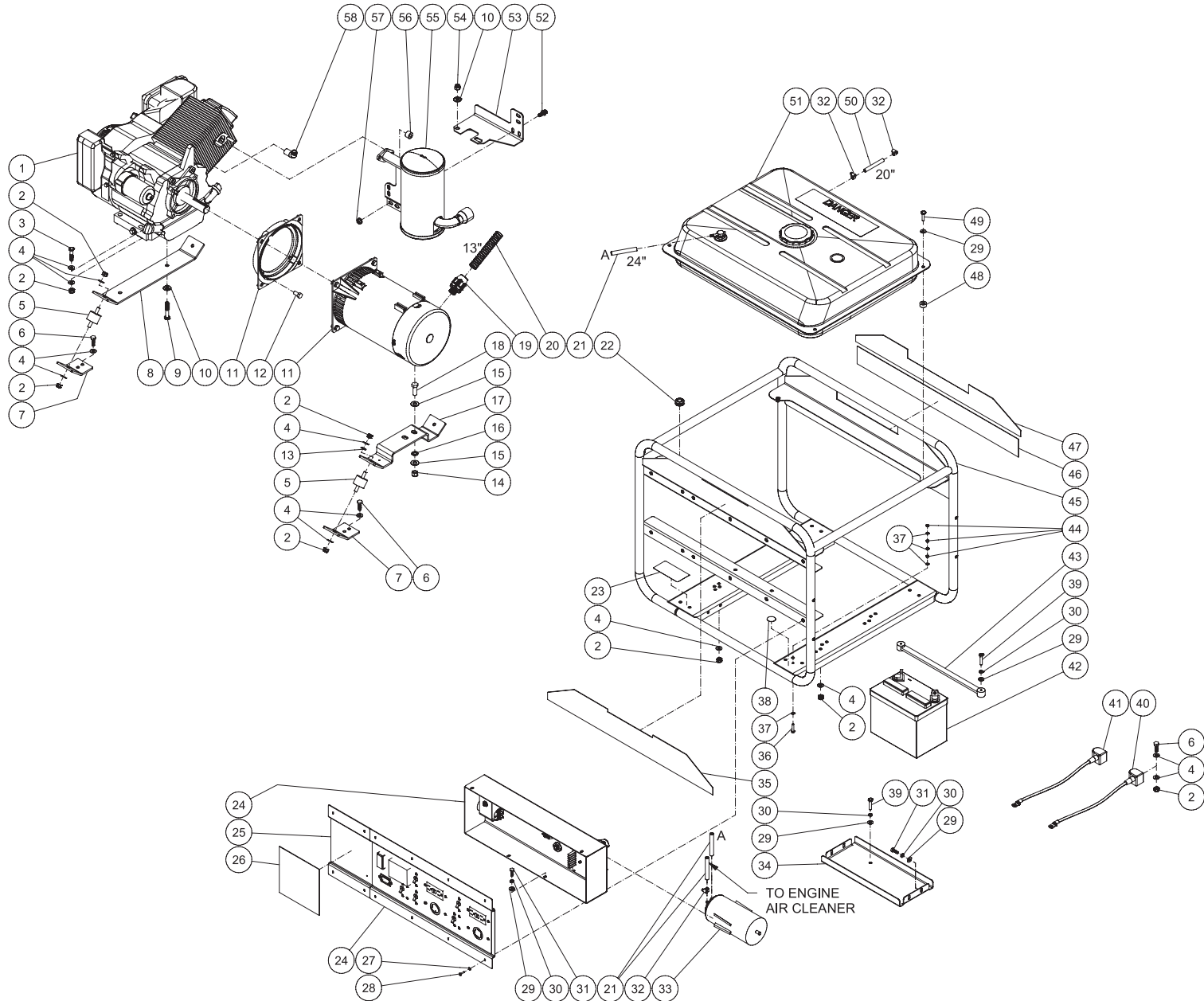
---

<b>Serial Break Number</b>	<b>Date</b>	<b>Serial Break Explanation</b>
#40031734		Removed Muffler Assemblies
#40042445		Engine change from 1-0148 to 1-0174 and 1-0149 to 10175
		Muffler change from 45-0123 and 45-0130 to 45-0155
#40058963	4/1/2011	Added carbon Canister/Rollover valve
#40060725	6/1/2011	Changed alternator from 32-0825 to 32-1035
#40060725		Alternator change
#40058963		Added Carbon Canister/Rollover Valve

---

**NOTES**

**GEN-6000-0MH0/0MHE (AFTER SERIAL #40060725) AND GEN-6000-0MK0**



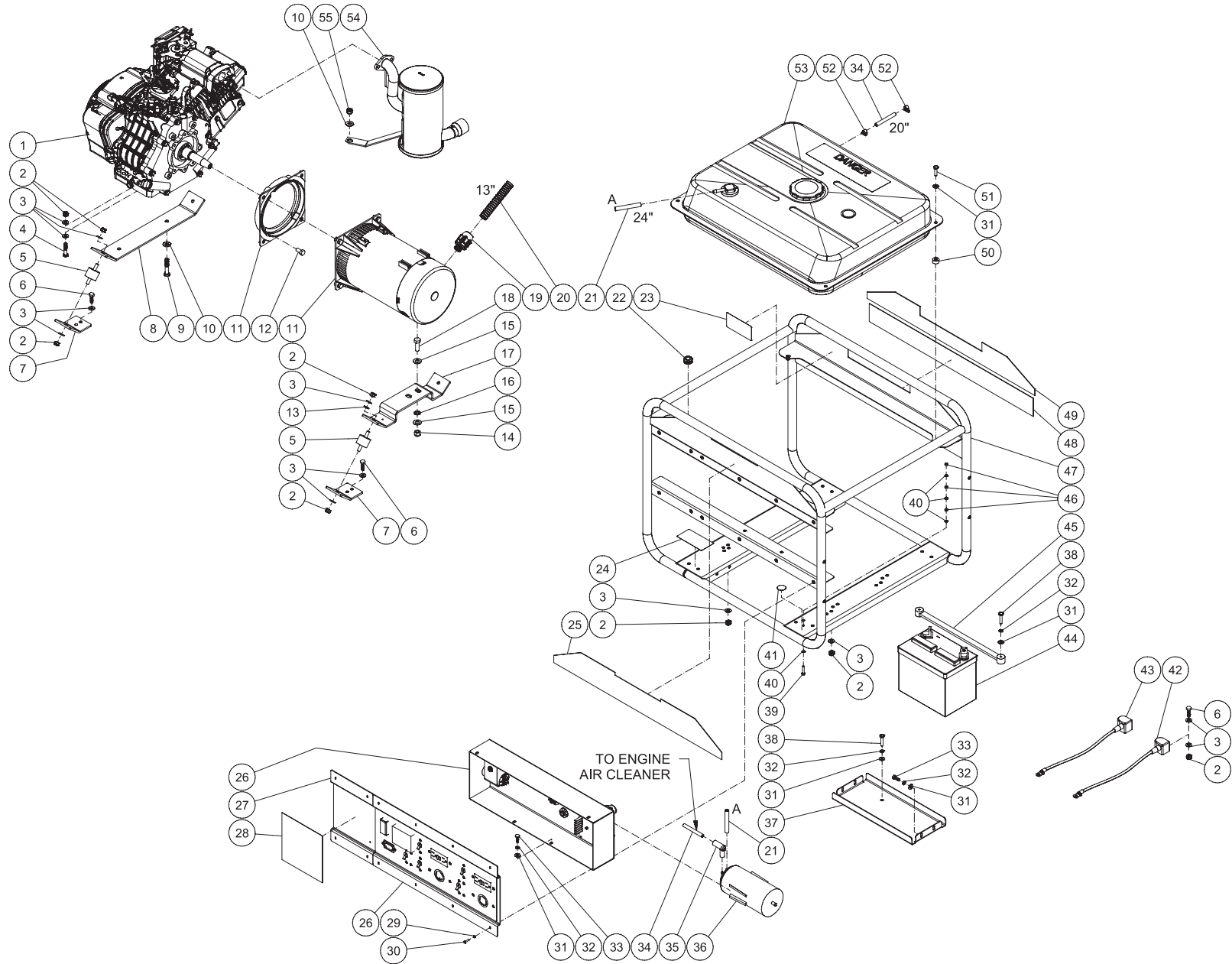
GEN-6000-0MH0/0MHE\_0MK0-020113 MLK

## FRAME ASSEMBLY

ITEM	DESCRIPTION	PART #	QTY	ITEM	DESCRIPTION	PART #	QTY
1	ENGINE - GX390 ELECTRIC (GEN-6000-0MHE)	1-0153	1	29	WASHER	28-0002	17
-	ENGINE- GX390 RECOIL (GEN-6000-0MH0)	1-0152	1	30	LOCKWASHER	29-0006	8
-	ENGINE- CH440 RECOIL (GEN-6000-0MK0)	1-0212	1	31	BOLT	27-0015	8
2	LOCKNUT (GEN-6000-0MHE)	30-0157	19	32	CLAMP WORM	42-0004	3
-	HEX NYLON LOCKNUT-ZINC 5/16-18 (GEN-6000-0MH0/K0)	30-0157	16	33	CARBON CANISTER - 650CC	62-0211	1
3	BOLT (GEN-6000-0MHE)	27-0069	1	34	BATTERY BRACKET (GEN-6000-0MHE)	20-0832A01	1
4	WASHER (GEN-6000-0MHE)	28-0003	30	35	DECAL - MARKETING (SEE 71-4008)	N/A	1
-	WASHER (GEN-6000-0MH0/K0)	28-0003	24	36	BOLT	27-8807	1
5	ISOLATOR	33-0028	4	37	STAR WASHER	28-1009	4
6	BOLT	27-0067	8	38	DECAL- GROUND PICTORIAL (SEE 71-4008)	N/A	1
7	ISOLATOR MOUNTING BRACKET	5-0236A01	4	39	BOLT (GEN-6000-0MHE)	27-0017	2
8	ISOLATION PLATE	5-0243A01	1	40	WIRE KIT (GEN-6000-0MHE)	32-9106	1
9	BOLT	27-0121	3	41	WIRE KIT (GEN-6000-0MHE)	32-9107	1
10	WASHER	28-0022	6	42	BATTERY (GEN-6000-0MHE)	32-0058	1
11	GENERATOR	32-1035	1	43	BATTERY STRAP (GEN-6000-0MHE)	33-0430	1
12	BOLT	27-0116	4	44	NUT	30-6001	3
13	LOCKWASHER	29-0110	1	45	FRAME	5-0231A01	1
14	LOCKNUT	30-0161	1	46	DECAL - WARNINGS (SEE 71-4008)	N/A	1
15	WASHER	28-0005	2	47	DECAL - MARKETING (SEE 71-4008)	N/A	1
16	LOCKWASHER	29-0112	1	48	FUEL TANK MOUNT	14-0103	4
17	ISOLATION PLATE	5-0242A01	1	49	BOLT	27-0016	4
18	BOLT	27-0167	1	50	FUEL HOSE *(TWO FEET REQUIRED)	15-0261	1
19	CONDUIT FITTING	32-0255	1	51	FUEL TANK ASSEMBLY	856-0027	1
20	CONDUIT FLEX *(TWO FEET REQUIRED)	32-0253	1	52	BOLT	27-9524	2
21	FUEL HOSE *(FIVE FEET REQUIRED)	15-0008	1	53	MUFFLER MOUNTING BRACKET	20-1292A52	1
22	GROMMET	33-0001	1	54	LOCKNUT	30-0159	3
23	DECAL- SILVER STICKER	N/A	1	55	MUFFLER (GEN-6000-0MH_E)	45-0085	1
24	ELECTRIC BOX ASSEMBLY	32-9502	1	-	MUFFLER - GEN - KOHLER (GEN-6000-0MK0)	45-0410	1
25	COVER	20-0833A01	1	56	SPACER (GEN-6000-0MH0_E)	33-0431	2
26	DECAL - OPERATIONS (SEE 71-4008)	N/A	1	57	NUT	30-3023	2
27	LOCKWASHER	29-1013	18	58	AIR CLEANER ADAPTER (GEN-6000-0MH0_E)	62-0229	1
28	SCREW	27-8881	12	-	DECAL SET - GENERATORS	71-4008	1

\*MUST ORDER IN ONE FOOT LENGTHS

GEN-6000-0MS0/0MSE (AFTER SERIAL #40060725)



GEN-6000-0MS0/E-101912-CH

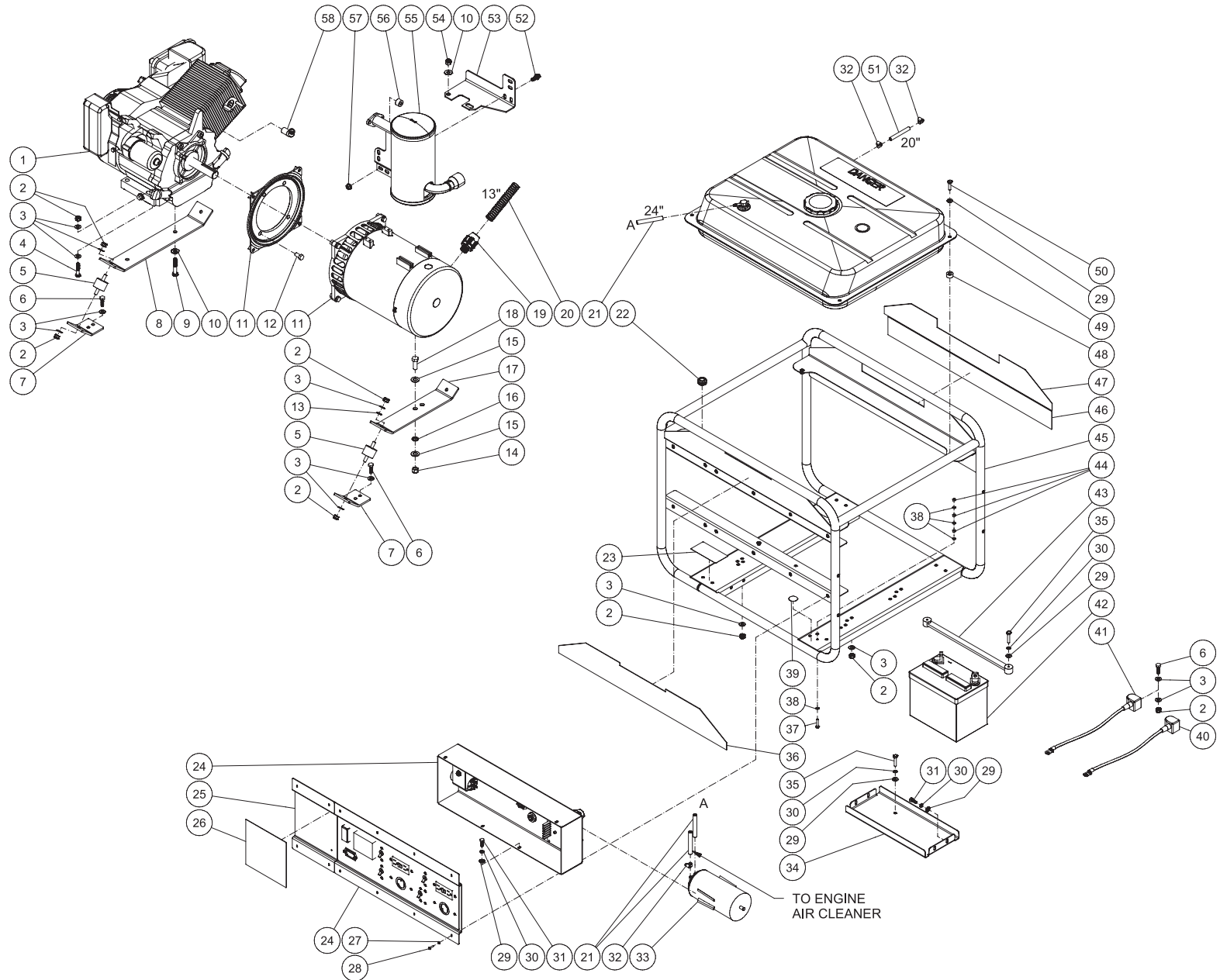


## FRAME ASSEMBLY

ITEM	DESCRIPTION	PART #	QTY	ITEM	DESCRIPTION	PART #	QTY
1	ENGINE EX40 RECOIL (0MS0)	1-0174	1	29	LOCKWASHER	29-1013	12
-	ENGINE EX40 ELECTRIC (0MSE)	1-0175	1	30	SCREW	27-8881	12
2	LOCKNUT (0MSE)	30-0157	19	31	WASHER (0MSE)	28-0002	14
-	LOCKNUT (0MS0)	30-0157	16	-	WASHER (0MS0)	28-0002	10
3	WASHER (0MSE)	28-0003	30	32	LOCKWASHER (0MSE)	29-0006	10
-	WASHER (0MS0)	28-0003	24	-	LOCKWASHER (0MS0)	29-0006	4
4	BOLT (0MSE)	27-0069	1	33	BOLT (0MSE)	27-0015	8
5	ISOLATOR	33-0028	4	-	BOLT (0MS0)	27-0015	4
6	BOLT	27-0067	10	34	FUEL HOSE *(FIVE FEET REQUIRED)	15-0261	1
7	ISOLATOR MOUNTING BRACKET	5-0236A01	4	35	HOSE ADAPTER	62-0228	1
8	ISOLATION PLATE	5-0243A01	1	36	CARBON CANISTER - 650CC	62-0210	1
9	BOLT	27-0121	3	37	BATTERY BRACKET (0MSE)	20-0832A01	1
10	WASHER	28-0022	6	38	BOLT (0MSE)	27-0017	2
11	ALTERNATOR	32-1035	1	39	BOLT	27-8807	1
12	BOLT	27-0116	4	40	STAR WASHER	28-1009	4
13	LOCKWASHER	29-0110	1	41	DECAL- GROUND PICTORIAL (SEE 71-4008)	N/A	1
14	LOCKNUT	30-0161	1	42	WIRE KIT (0MSE)	32-9107	1
15	WASHER	28-0005	2	43	WIRE KIT (0MSE)	32-9106	1
16	LOCKWASHER	29-0112	1	44	BATTERY (0MSE)	32-0058	1
17	ISOLATION PLATE	5-0242A01	1	45	BATTERY STRAP (0MSE)	33-0430	1
18	BOLT	27-0167	1	46	NUT	30-6001	3
19	CONDUIT FITTING	32-0255	1	47	FRAME	5-0231A01	1
20	CONDUIT FLEX *(TWO FEET REQUIRED)	32-0253	1	48	DECAL - WARNINGS (SEE 71-4008)	N/A	1
21	FUEL HOSE *(TWO FEET REQUIRED)	15-0008	1	49	DECAL - MARKETING (SEE 71-4008)	N/A	1
22	GROMMET	33-0001	1	50	FUEL TANK MOUNT	14-0103	4
23	DECAL- CALIFORNIA EMISSIONS	34-1817	1	51	BOLT	27-0016	4
24	DECAL- SILVER STICKER	N/A	1	52	CLAMP WORM	42-0004	2
25	DECAL - MARKETING (SEE 71-4008)	N/A	1	53	FUEL TANK ASSEMBLY	856-0027	1
26	ELECTRIC BOX ASSEMBLY	32-9502	1	54	MUFFLER	45-0155	1
27	COVER	20-0833A01	1	55	LOCKNUT	30-0159	3
28	DECAL - OPERATIONS (SEE 71-4008)	N/A	1	-	DECAL SET - GENERATORS	71-4008	1

\*MUST ORDER IN ONE FOOT LENGTHS

**GEN-7500-0MH0/0MHE (AFTER SERIAL #40058963) AND GEN-8000-0MK0/KE**

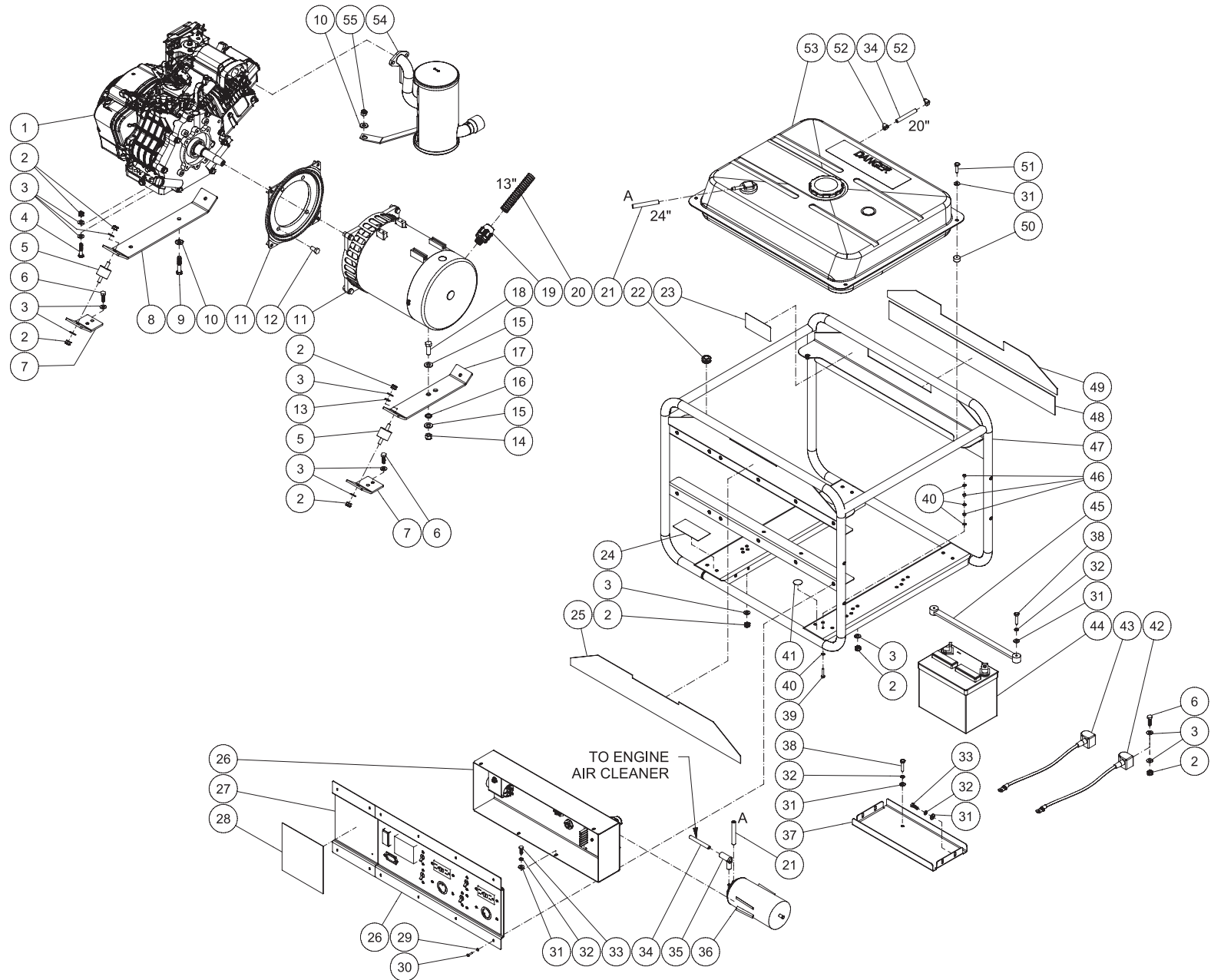


GEN-7500\_8000 UNIT ASSY-020113 MLK

## FRAME ASSEMBLY

ITEM	DESCRIPTION	PART #	QTY	ITEM	DESCRIPTION	PART #	QTY
1	ENGINE - GX390 ELECTRIC (GEN-7500-0MHE)	1-0153	1	31	BOLT (GEN-7500_8000-0MHE_KE)	27-0015	8
-	ENGINE - GX390 RECOIL (GEN-7500-0MH0)	1-0152	1	-	BOLT (GEN-7500_8000-0MH0_K0)	27-0015	4
-	ENGINE - CH440 RECOIL GEN (GEN-8000-0MK0)	1-0212	1	32	CLAMP WORM	42-0004	3
-	ENGINE - CH440 ELECTRIC (GEN-8000-0MKE)	1-0213	1	33	CARBON CANISTER - 650CC	62-0211	1
2	LOCKNUT (GEN-7500_8000-0MHE_KE)	30-0157	19	34	BATTERY BRACKET (GEN-7500_8000-0MHE_KE)	20-0832A01	1
-	HEX NYLON LOCKNUT-ZINC 5/16-18 (GEN-7500_8000-0MH0_K0)	30-0157	16	35	BOLT (GEN-7500_8000-0MHE_KE)	27-0017	2
3	WASHER (GEN-7500_8000-0MHE_KE)	28-0003	30	36	DECAL - MARKETING (SEE 71-4012)	N/A	1
-	WASHER (GEN-7500_8000-0MH0_K0)	28-0003	24	-	DECAL - MARKETING (SEE 71-4015)	N/A	1
4	BOLT (GEN-7500_8000-0MHE_KE)	27-0069	1	37	BOLT	27-8807	1
5	ISOLATOR	33-0028	4	38	STAR WASHER	28-1009	4
6	BOLT	27-0067	8	39	DECAL- GROUND PICTORIAL (SEE 71-4012 AND 71-4015)	N/A	1
7	ISOLATOR MOUNTING BRACKET	5-0236A01	4	40	WIRE KIT (GEN-7500_8000-0MHE_KE)	32-9106	1
8	ISOLATION PLATE	5-0243A01	1	41	WIRE KIT (GEN-7500_8000-0MHE_KE)	32-9107	1
9	BOLT	27-0121	3	42	BATTERY (GEN-7500_8000-0MHE_KE)	32-0058	1
10	WASHER	28-0022	6	43	BATTERY STRAP (GEN-7500_8000-0MHE_KE)	33-0430	1
11	ALTERNATOR	32-0826	1	44	NUT	30-6001	3
12	BOLT	27-0116	4	45	FRAME	5-0231A01	1
13	LOCKWASHER	29-0110	1	46	DECAL - WARNINGS (SEE 71-4012 AND 71-4015)	N/A	1
14	LOCKNUT	30-0161	1	47	DECAL - MARKETING (SEE 71-4012)	N/A	1
15	WASHER	28-0005	2	-	DECAL - MARKETING (SEE 71-4015)	N/A	1
16	LOCKWASHER	29-0112	1	48	FUEL TANK MOUNT	14-0103	4
17	ALTERNATOR PLATE	5-0244A01	1	49	FUEL TANK ASSEMBLY	856-0027	1
18	BOLT	27-0167	1	50	BOLT	27-0016	4
19	CONDUIT FITTING	32-0255	1	51	FUEL HOSE *(TWO FEET REQUIRED)	15-0261	1
20	CONDUIT FLEX *(TWO FEET REQUIRED)	32-0253	1	52	BOLT	27-9524	2
21	FUEL HOSE *(FIVE FEET REQUIRED)	15-0008	1	53	MUFFLER MOUNTING BRACKET	20-1292A52	1
22	GROMMET	33-0001	1	54	LOCKNUT	30-0159	3
23	DECAL- SILVER STICKER	N/A	1	55	MUFFLER (GEN-7500-0MH0_E)	45-0085	1
24	ELECTRIC BOX ASSEMBLY	32-9503	1	-	MUFFLER (GEN-8000-0MK0_E)	45-0410	1
25	COVER	20-0833A01	1	56	SPACER (GEN-7500-0MH0_E)	33-0431	2
26	DECAL - OPERATIONS (SEE 71-4012 AND 71-4015)	N/A	1	57	NUT	30-3023	2
27	LOCKWASHER	29-1013	12	58	AIR CLEANER ADAPTER (GEN-7500-0MH0_E)	62-0229	1
28	SCREW	27-8881	12	-	DECAL SET - GENERATORS (GEN-7500-0MH0_E)	71-4012	1
29	WASHER (GEN-7500_8000-0MHE_KE)	28-0002	17	-	DECAL SET - GENERATORS (GEN-8000-0MK0_E)	71-4015	1
-	WASHER (GEN-7500_8000-0MH0_K0)	28-0002	10	*MUST ORDER IN ONE FOOT LENGTHS			
30	LOCKWASHER (GEN-7500_8000-0MHE_KE)	29-0006	9				
-	LOCKWASHER (GEN-7500_8000-0MH0_K0)	29-0006	4				

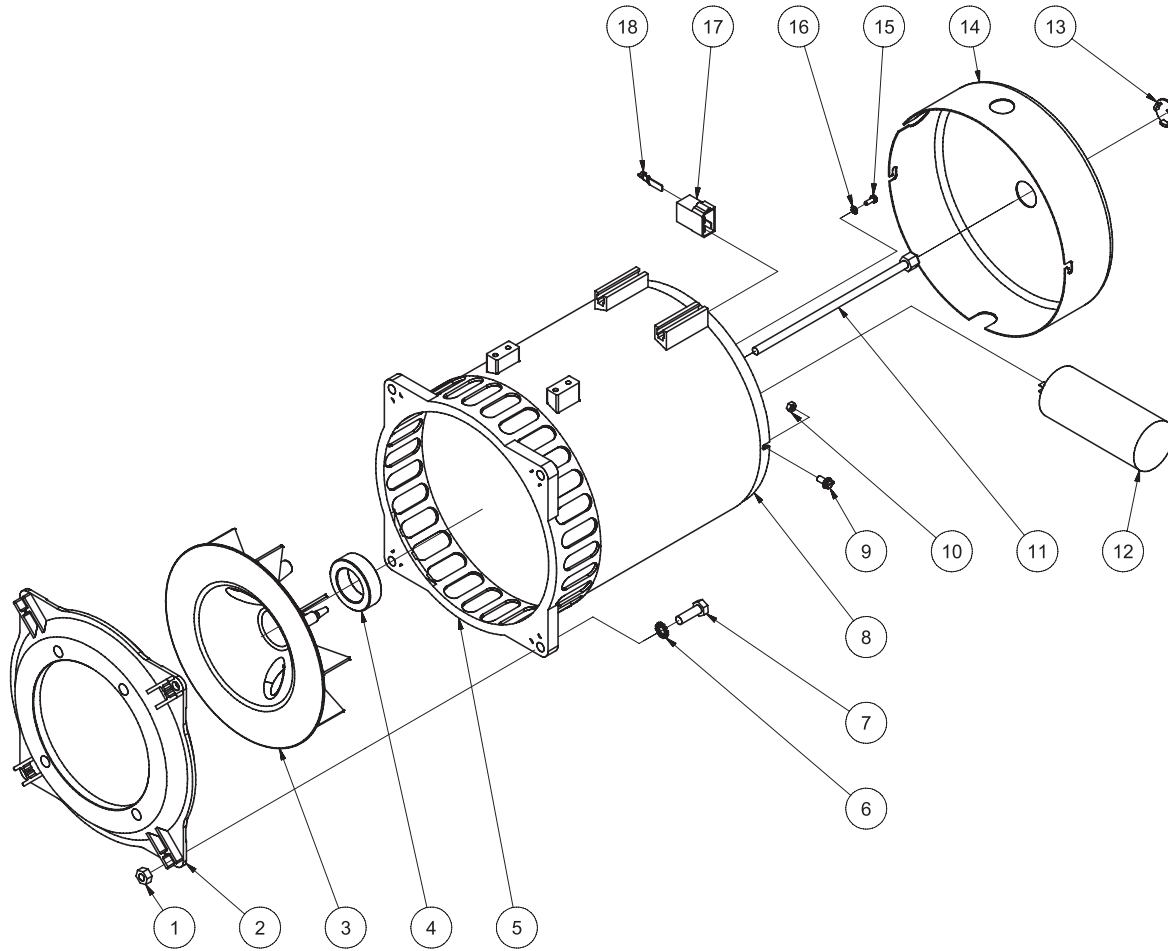
GEN-8000-0MS0/0MSE (AFTER SERIAL #40058963)



GEN-8000-0MS0/E-101912-CH

FRAME ASSEMBLY								
ITEM	DESCRIPTION	PART #	QTY	ITEM	DESCRIPTION	PART #	QTY	
1	ENGINE EX40 RECOIL (0MS0)	1-0174	1	29	LOCKWASHER	29-1013	12	
-	ENGINE EX40 ELECTRIC (0MSE)	1-0175	1	30	SCREW	27-8881	12	
2	LOCKNUT (0MSE)	30-0157	19	31	WASHER (0MSE)	28-0002	14	
-	LOCKNUT (0MS0)	30-0157	16	-	WASHER (0MS0)	28-0002	10	
3	WASHER (0MSE)	28-0003	30	32	LOCKWASHER (0MSE)	29-0006	10	
-	WASHER (0MS0)	28-0003	24	-	LOCKWASHER (0MS0)	29-0006	4	
4	BOLT (0MSE)	27-0069	1	33	BOLT (0MSE)	27-0015	8	
5	ISOLATOR	33-0028	4	-	BOLT (0MS0)	27-0015	4	
6	BOLT	27-0067	10	34	FUEL HOSE *(FIVE FEET REQUIRED)	15-0261	1	
7	ISOLATOR MOUNTING BRACKET	5-0236A01	4	35	HOSE ADAPTER	62-0228	1	
8	ISOLATION PLATE	5-0243A01	1	36	CARBON CANISTER - 650CC	62-0211	1	
9	BOLT	27-0121	3	37	BATTERY BRACKET (0MSE)	20-0832A01	1	
10	WASHER	28-0022	6	38	BOLT (0MSE)	27-0017	2	
11	ALTERNATOR	32-0826	1	39	BOLT (0MSE)	27-8807	1	
12	BOLT	27-0116	4	40	STAR WASHER	28-1009	4	
13	LOCKWASHER	29-0110	1	41	DECAL- GROUND PICTORIAL (SEE 71-4015)	N/A	1	
14	LOCKNUT	30-0161	1	42	WIRE KIT (0MSE)	32-9106	1	
15	WASHER	28-0005	2	43	WIRE KIT (0MSE)	32-9107	1	
16	LOCKWASHER	29-0112	1	44	BATTERY (0MSE)	32-0058	1	
17	ALTERNATOR PLATE	5-0244A01	1	45	BATTERY STRAP (0MSE)	33-0430	1	
18	BOLT	27-0167	1	46	NUT	30-6001	3	
19	CONDUIT FITTING	32-0255	1	47	FRAME	5-0231A01	1	
20	CONDUIT FLEX *(TWO FEET REQUIRED)	32-0253	1	48	DECAL - WARNINGS (SEE 71-4015)	N/A	1	
21	FUEL HOSE *(TWO FEET REQUIRED)	15-0008	1	49	DECAL -MARKETING (SEE 71-4015)	N/A	1	
22	GROMMET	33-0001	1	50	FUEL TANK MOUNT	14-0103	4	
23	DECAL- CALIFORNIA EMISSIONS	34-1817	1	51	BOLT	27-0016	4	
24	DECAL- SILVER STICKER	N/A	1	52	CLAMP WORM	42-0004	2	
25	DECAL-MARKETING (SEE 71-4015)	N/A	1	53	FUEL TANK ASSEMBLY	856-0027	1	
26	ELECTRIC BOX ASSEMBLY	32-9503	1	54	MUFFLER	45-0155	1	
27	COVER	20-0833A01	1	55	LOCKNUT	30-0159	3	
28	DECAL - OPERATIONS (SEE 71-4015)	N/A	1	-	DECAL SET - GENERATORS	71-4015	1	

# ALTERNATOR ASSEMBLY (32-0826)

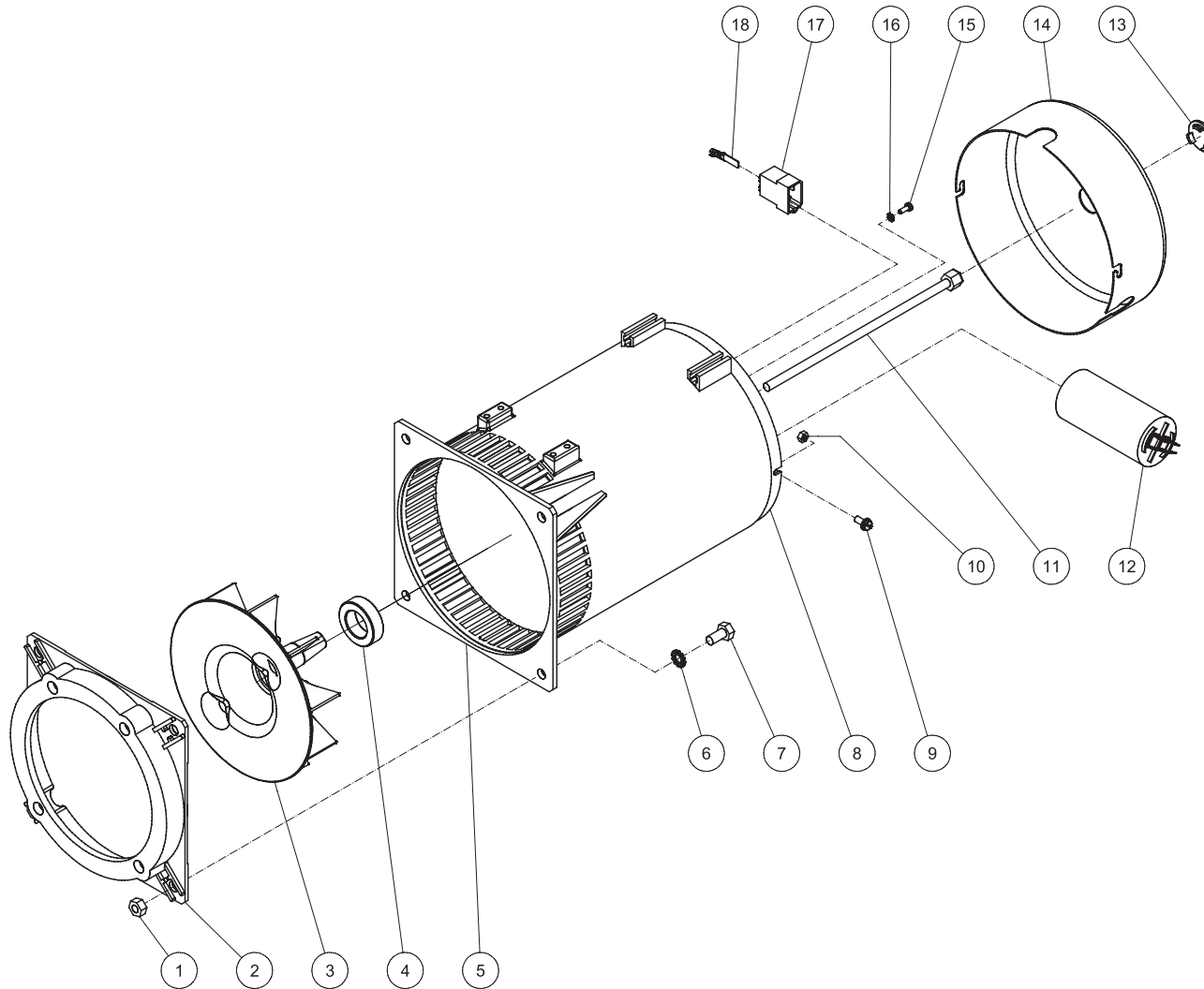


32-0826-082605-KZ

## ALTERNATOR ASSEMBLY

ITEM	DESCRIPTION	PART #	QTY
1	NUT	30-3007	4
2	ALTERNATOR FLANGE	52-0072	1
3	FAN	52-0089	1
4	BEARING	52-0092	1
5	BRACKET - DRIVE END	52-0090	1
6	LOCKWASHER	29-0110	4
7	BOLT	27-8062	4
8	BRACKET - NON DRIVE END	52-0091	1
9	SCREW	27-9593	2
10	NUT	30-6001	2
11	BOLT	27-9584	1
12	CAPACITOR	32-0875	1
13	ALTERNATOR CAP	52-0075	1
14	ALTERNATOR END COVER	52-0074	1
15	SCREW	27-9586	1
16	LOCKWASHER	29-1013	1
17	TERMINAL PLUG	52-0077	1
18	TERMINAL SPADE	32-0878	4

# ALTERNATOR ASSEMBLY (32-1035)

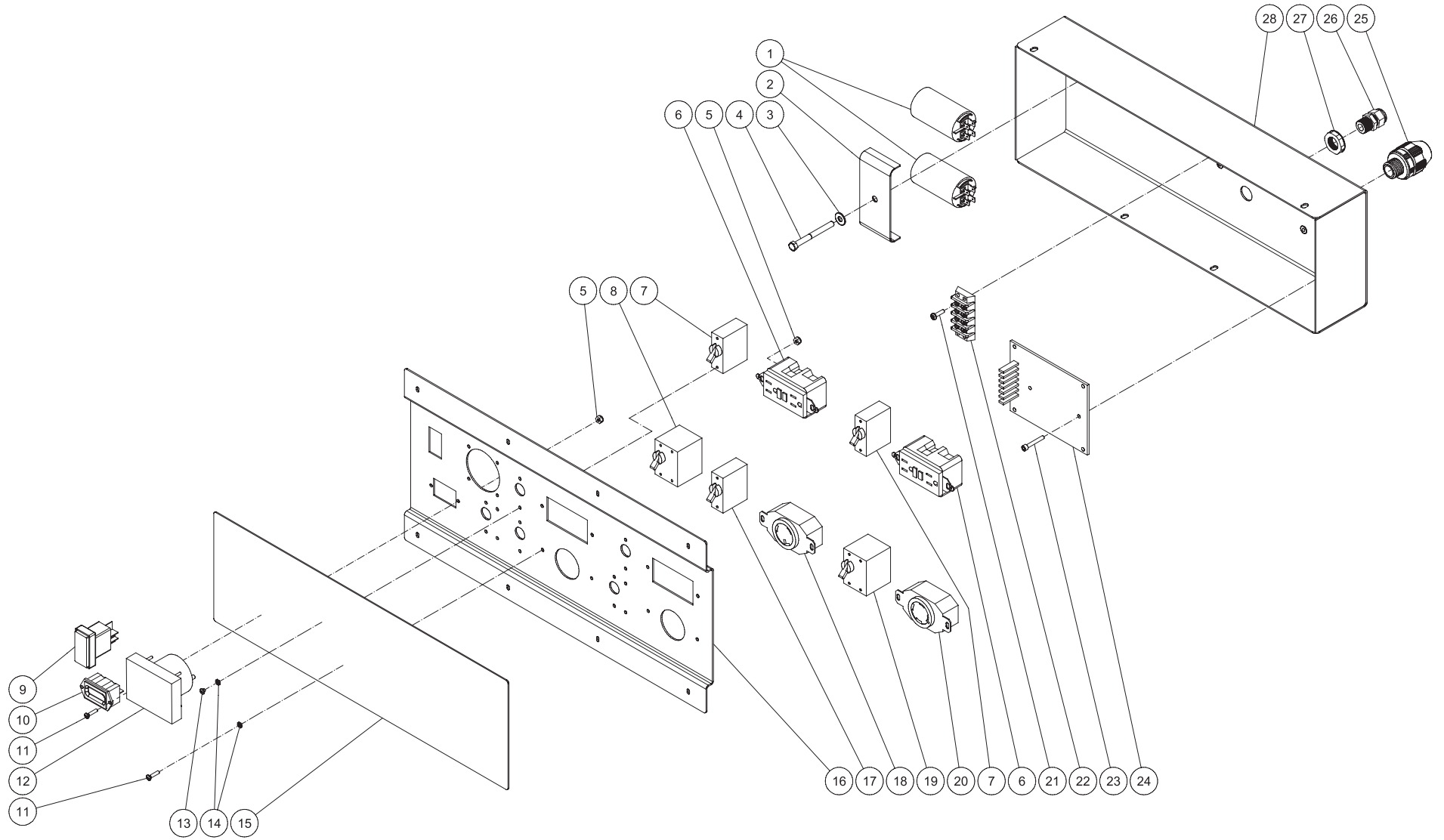


32-1035 070912 KMD



32-1035 070912-CH			
ALTERNATOR (32-1035)			
ITEM	DESCRIPTION	PART #	QTY
1	NUT	30-3007	4
2	ALTERNATOR FLANGE	52-0071	1
3	FAN-ALTERNATOR	52-0093	1
4	BEARING	52-0096	1
5	BRACKET	52-0094	1
6	LOCKWASHER	29-0110	4
7	BOLT	27-8042	4
8	BRACKET	52-0095	1
9	SCREW	27-9593	2
10	NUT	30-6001	2
11	BOLT	27-9585	1
12	CAPACITOR	32-1088	1
13	ALTERNATOR CAP	52-0075	1
14	ALTERNATOR END COVER	52-0073	1
15	SCREW	27-9586	1
16	LOCKWASHER	29-1013	1
17	TERMINAL PLUG	52-0077	1
18	TERMINAL SPADE	32-0878	4

# ELECTRIC BOX ASSEMBLY (32-9502)

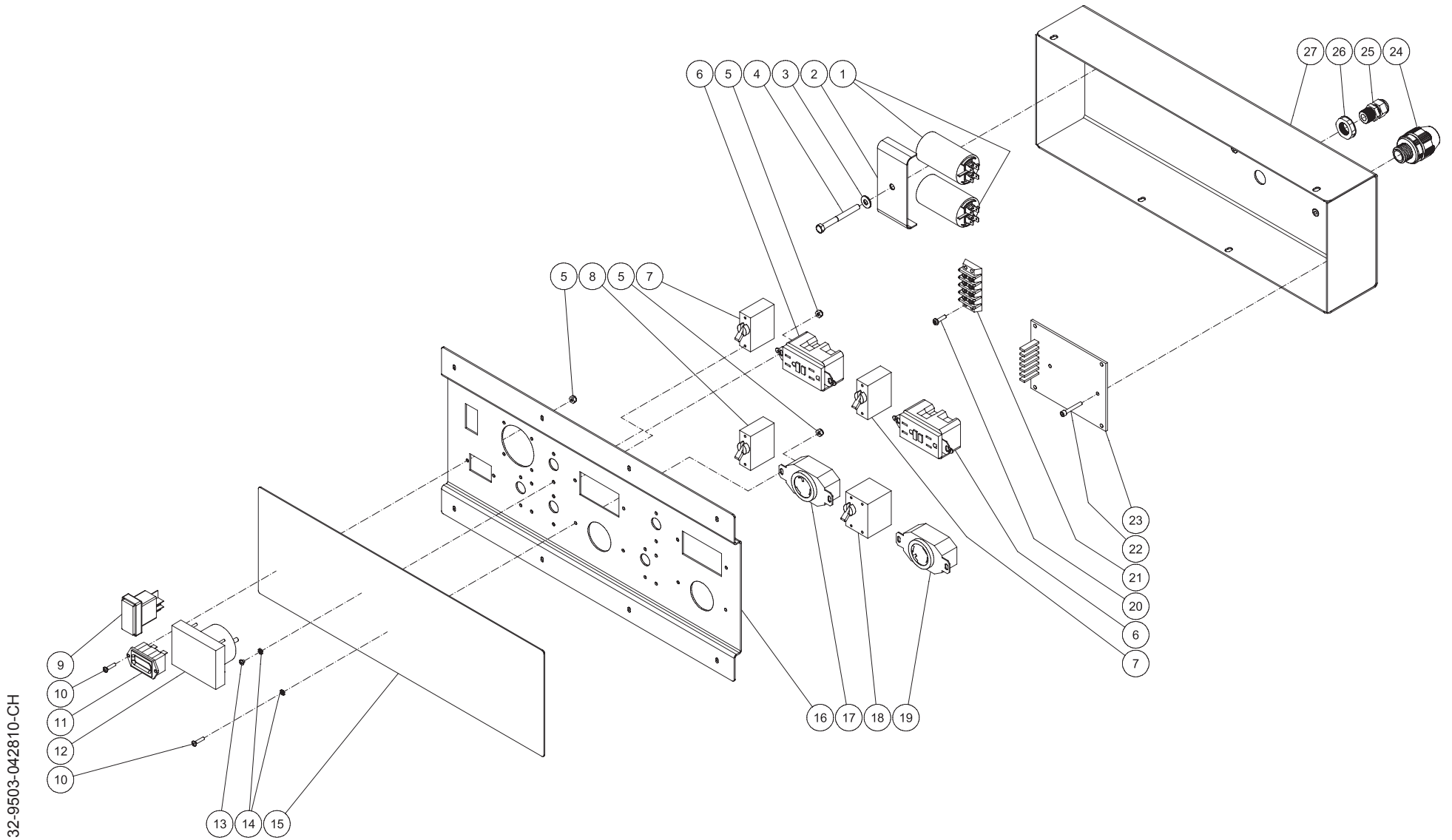


32-9502-101612-CH

## ELECTRIC BOX ASSEMBLY

ITEM	DESCRIPTION	PART #	QTY
1	CAPACITOR	32-0846	2
2	CAPACITOR CLAMP BRACKET	20-0797A01	1
3	WASHER	28-0002	1
4	BOLT	27-0022	1
5	LOCKNUT	30-0152	10
6	GFCI DUPLEX RECEPTACLE	32-0830	2
7	TOGGLE BREAKER - 20A	32-0834	2
8	TOGGLE BREAKER - 25A	32-1116	1
9	ROCKER SWITCH	32-0626	1
10	HOUR METER	32-0668	1
11	SCREW	27-8881	10
12	VOLT METER	32-0838	1
13	SCREW	27-9574	14
14	LOCKWASHER	29-1013	22
15	DECAL - CONTROL PANEL	N/A	1
16	CONTROL PANEL	20-0834A01	1
17	TOGGLE BREAKER - 30A	32-0836	1
18	120V-30A RECEPTACLE	32-0832	1
19	TOGGLE BREAKER - 20A	32-0835	1
20	125/250 VOLT RECEPTACLE	32-0833	1
21	SCREW	27-8942	2
22	TERMINAL STRIP	32-0227	1
23	BOLT	27-0740	2
24	IDLE DOWN BOARD	32-0896	1
25	CONDUIT FITTING	32-0255	1
26	STRAIN RELIEF	32-0586	1
27	ELECTRICAL LOCKNUT	32-0587	1
28	ELECTRIC BOX	20-0831A01	1
-	WIRE KIT (NOT SHOWN)	32-9104	1

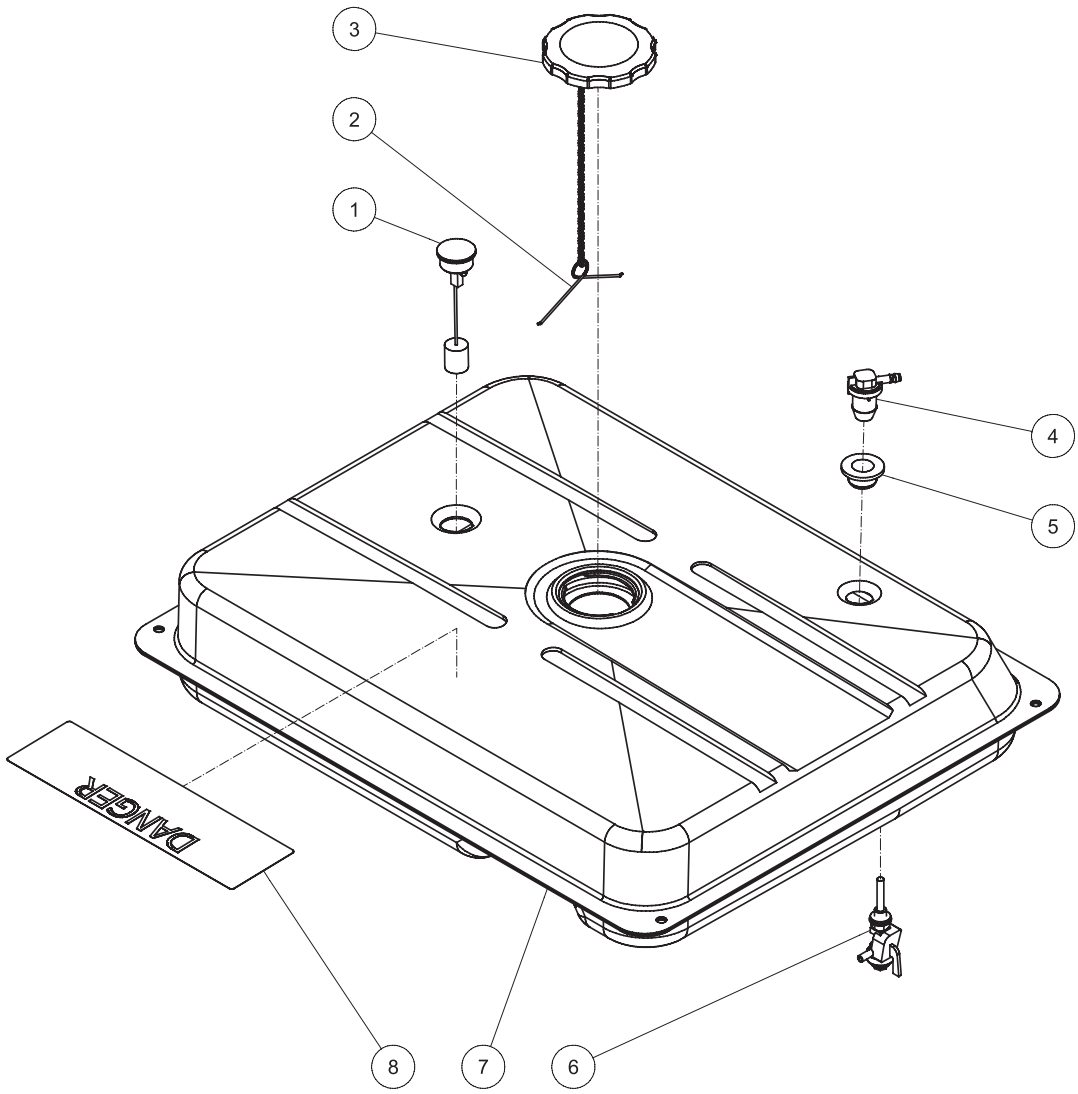
# ALTERNATOR ASSEMBLY (32-9503)



32-9503-042810-CH

32-9503 042810 CH			
ELECTRIC BOX ASSEMBLY			
ITEM	DESCRIPTION	PART #	QTY
1	CAPACITOR	32-0846	2
2	CAPACITOR CLAMP BRACKET	20-0797A01	1
3	WASHER	28-0002	1
4	BOLT	27-0022	1
5	LOCKNUT	30-0152	10
6	GFCI DUPLEX RECEPTACLE	32-0830	2
7	TOGGLE BREAKER - 20A	32-0834	2
8	TOGGLE BREAKER - 30A	32-0836	1
9	ROCKER SWITCH	32-0626	1
10	SCREW	27-8881	10
11	HOUR METER	32-0668	1
12	VOLT METER	32-0838	1
13	SCREW	27-9574	10
14	LOCKWASHER	29-1013	18
15	DECAL - CONTROL PANEL (SEE 71-4008)	N/A	1
16	CONTROL PANEL	20-0834A01	1
17	120V-30A RECEPTACLE	32-0832	1
18	TOGGLE BREAKER - 30A	32-0837	1
19	125/250 VOLT RECEPTACLE	32-0831	1
20	SCREW	27-8942	2
21	TERMINAL STRIP	32-0227	1
22	BOLT	27-0740	2
23	IDLE DOWN BOARD	32-0896	1
24	CONDUIT FITTING	32-0255	1
25	STRAIN RELIEF	32-0586	1
26	ELECTRICAL LOCKNUT	32-0587	1
27	ELECTRIC BOX	20-0831A01	1
-	WIRE KIT (NOT SHOWN)	32-9104	1

FUEL TANK ASSEMBLY (856-0027)

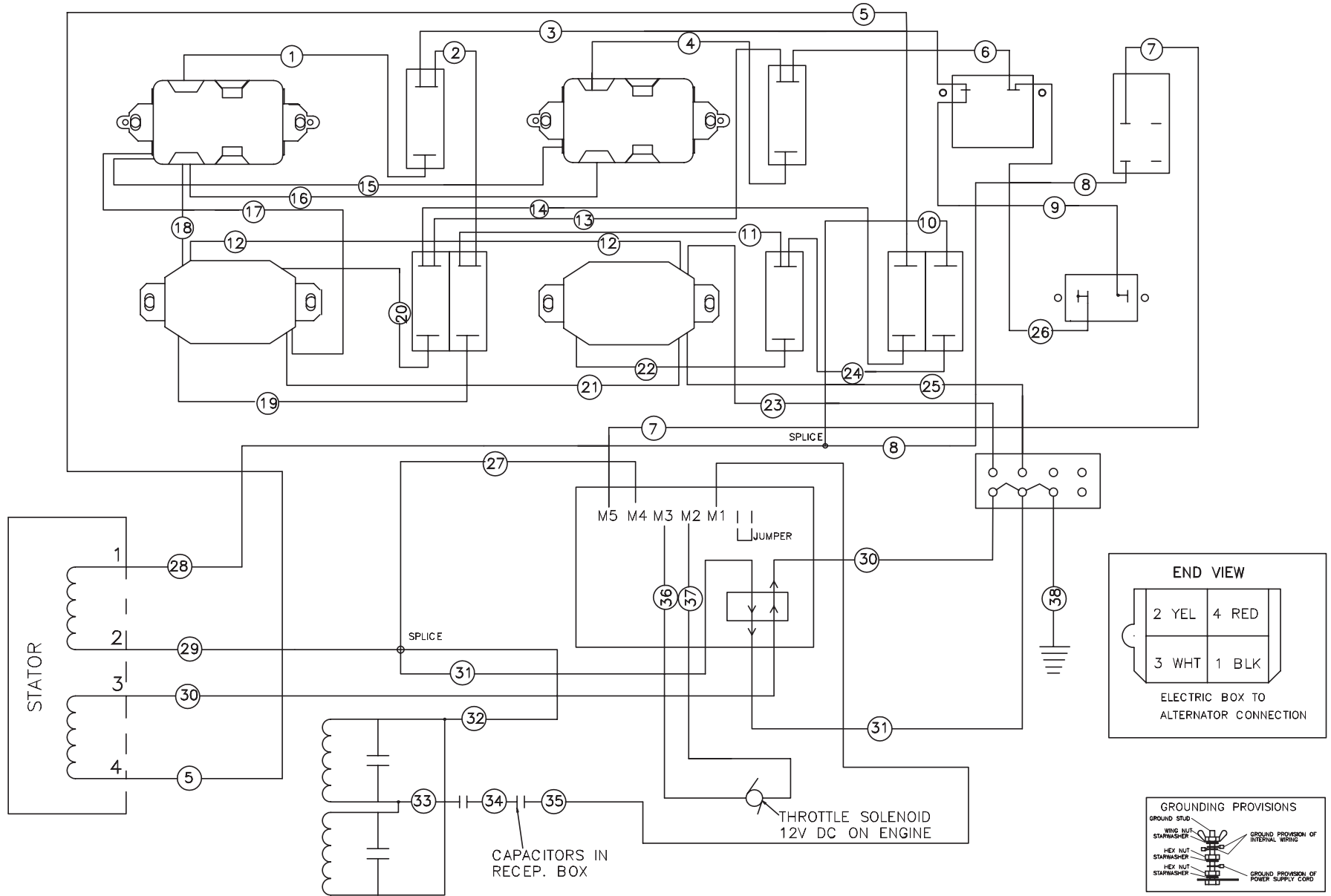


856-0027-011912-CH

856-0027 011912 CH			
FUEL TANK			
ITEM	DESCRIPTION	PART #	QTY
1	FUEL GAUGE	12-0163	1
2	FUEL CAP CATCH	12-0228	1
3	FUEL CAP	12-0227	1
4	VENTED ROLL OVER VALVE	62-0230	1
5	ROLLOVER VALVE GROMMET	62-0214	1
6	SHUT OFF VALVE	19-0553	1
7	FUEL TANK	12-0176A09	1
8	DECAL- WARNING	N/A	1

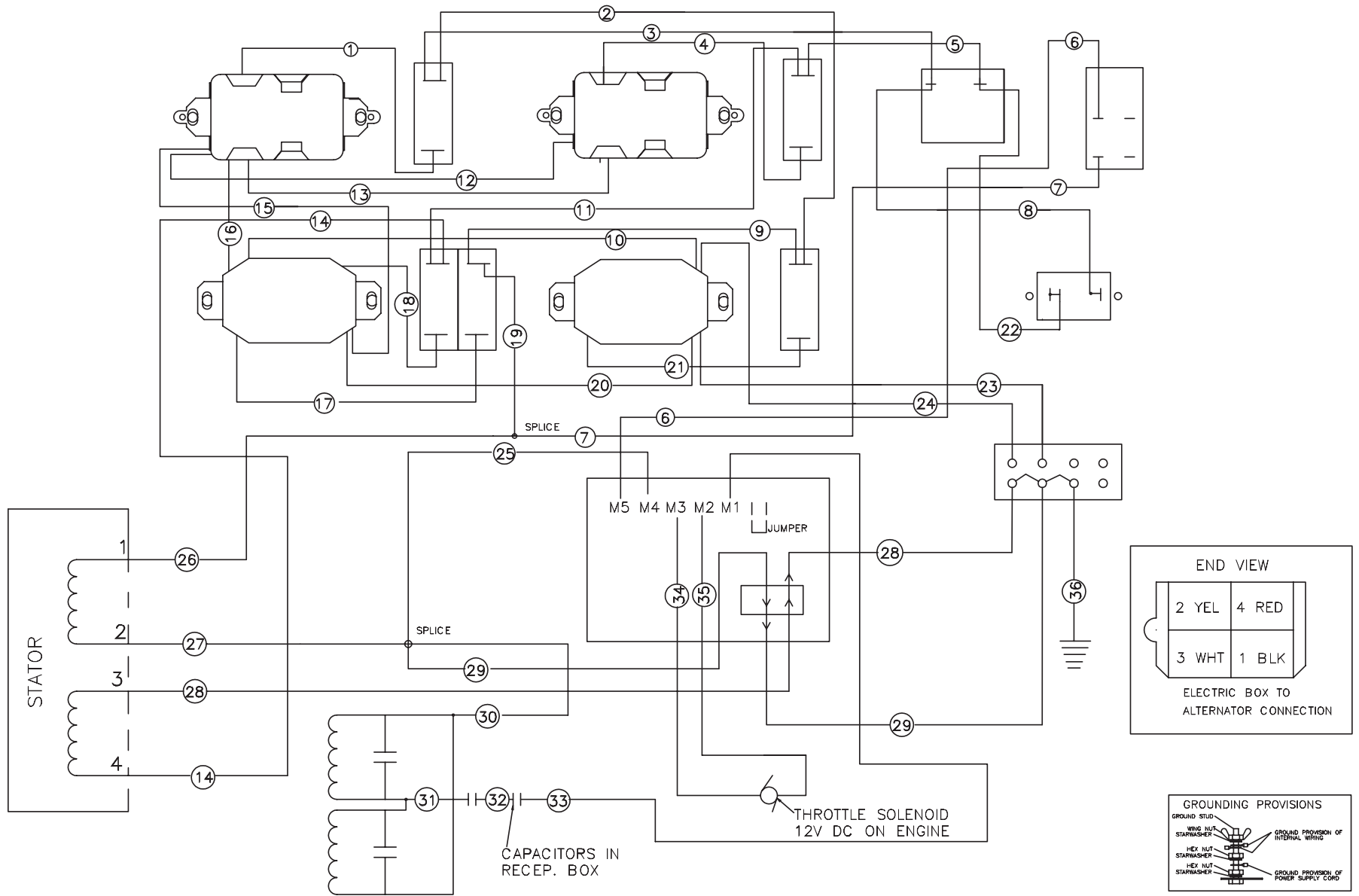
# WIRE DIAGRAM FOR GEN-6000

GEN-6000 WIRE DIAGRAM-062705-RZ





# WIRE DIAGRAM FOR GEN-7500 & GEN-8000



GEN-7500/8000 WIRE DIAGRAM-062705-RZ

Manufactured by Mi-T-M  
50 Mi-T-M Drive, Peosta IA 52068  
563-556-7484/ Fax 563-556-1235