

OPERATING INSTRUCTIONS FOR
HGM-SERIES
HOT WATER HEATER MODULES
- NATURAL GAS
- L.P. - GAS (VAPOR ONLY)



CAUTION

RISK OF INJURY!

READ MANUAL BEFORE OPERATING!

**This manual is an important part of the
heater module and must
remain with the unit when you sell it!**

TABLE OF CONTENTS

INTRODUCTION	3
IMPORTANT SAFETY WARNINGS	4-9
RISK OF EXPLOSION OR FIRE	4
RISK OF ASPHYXIATION	5
RISK OF ELECTROCUTION OR ELECTRICAL SHOCK	6
RISK OF INJECTION OR SEVERE CUTTING INJURY	7
RISK OF BURNS	8
RISK OF BURSTING	8
RISK FROM MOVING PARTS	8
RISK OF BODILY INJURY	9
INSTALLATION	10-15
LOCATION AND PLACEMENT	10
ELECTRICAL	10
GAS PIPING	11
VENTILATION	12
WATER SUPPLY	13
HIGH PRESSURE CONNECTION	13
INSPECTING AND VERIFYING CONDITIONS	14
PRE-OPERATION CHECKLIST	15
PREPARATION	16
ATTIRE	16
PRE-START	16
PRE-START SAFETY INSPECTION	16
OPERATING INSTRUCTIONS	18
FLUSHING THE SYSTEM	18
HOT WATER OPERATION	18
SHUTDOWN	18
MAINTENANCE	19-20
PREVENTIVE MAINTENANCE	19
WINTERIZING	19-20
 MAINTENANCE CHARTS	 20
 TROUBLESHOOTING	 21
 STATEMENT OF WARRANTY	 22
 NOTES	 23

NATIONAL CODES:
ANSI Z223.1 (NFPA NO. 54) NATIONAL FUEL GAS CODE.
NFPA NO. 70 (NEC) NATIONAL ELECTRICAL CODE.
CSA B149.1 GAS INSTALLATION CODE.
CSA C22.1 CANADIAN ELECTRICAL CODE PART 1.

WARNING

Warning: This product contains lead, a chemical known to the State of California to cause birth defects or other reproductive harm.

Wash your hands after handling this product.

WARNING

This product contains one or more chemicals known to the State of California to cause cancer and birth defects or other reproductive harm.

INTRODUCTION

Congratulations on the purchase of your new HGM-SERIES Heater Module! You can be assured your heater module was constructed and designed with quality and performance in mind. Each component has been rigorously tested to ensure the highest level of acceptance.

This operator's manual was compiled for your benefit. By reading and following the simple safety, installation, operation, maintenance and troubleshooting steps described in this manual, you will receive years of trouble free operation from your new heater module. The contents of this manual are based on the latest product information available at the time of publication. The manufacturer reserves the right to make changes in price, color, materials, equipment, specifications or models at any time without notice.

! IMPORTANT !

These paragraphs are surrounded by a "SAFETY ALERT BOX." This box is used to designate and emphasize Safety Warnings that must be followed when operating this heater module. Accompanying the Safety Warnings are "signal words" which designate the degree or level of hazard seriousness. The "signal words" used in this manual are as follows:

DANGER: Indicates an imminently hazardous situation which, if not avoided, **WILL** result in death or serious injury.

WARNING: Indicates a potentially hazardous situation which, if not avoided, **COULD** result in death or serious injury.



CAUTION: Indicates a potentially hazardous situation which, if not avoided **MAY** result in minor or moderate injury.



The symbols set to the left of this paragraph are "Safety Alert Symbols." These symbols are used to call attention to items or procedures that could be dangerous to you or other persons using this equipment.



ALWAYS PROVIDE A COPY OF THIS MANUAL TO ANYONE USING THIS EQUIPMENT. READ ALL INSTRUCTIONS BEFORE OPERATING THIS HEATER MODULE AND ESPECIALLY POINT OUT THE "SAFETY WARNINGS" TO PREVENT THE POSSIBILITY OF PERSONAL INJURY TO THE OPERATOR.



Once the unit has been removed from the box, immediately write in the serial number of your unit in the space provided below.

SERIAL NUMBER _____


Inspect for signs of obvious or concealed freight damage. If damage does exist, file a claim with the transportation company immediately. Be sure that all damaged parts are replaced and that the mechanical and electrical problems are corrected prior to operation of the unit. If you require service, contact your customer service.

Please have the following information available for all service calls:

1. Model Number
2. Serial Number
3. Date and Place of Purchase


SAFETY WARNINGS

READ ALL SAFETY WARNINGS BEFORE INSTALLING AND USING HEATER MODULE

HAZARD	POTENTIAL CONSEQUENCE	PREVENTION
<p data-bbox="168 226 483 254">RISK OF ASPHYXIATION</p> 	<p data-bbox="570 226 967 317">Serious injury or death may occur from inhaling burner exhaust or dangerous vapors.</p>	<p data-bbox="1015 226 1523 432">Installation of this unit including the ventilation of the combustion gases must comply with all local, state and national codes. (Standards to be followed include the National Fuel Gas Code ANSI Z223.1/ NFPA No. 54. In Canada; Refer to the CSA B149.1 Gas Installation Code).</p> <p data-bbox="1015 464 1511 653">Always make certain there is adequate ventilation (fresh outside air) for breathing and combustion. This will prevent the buildup of dangerous carbon monoxide gases. Beware of poorly ventilated areas, or areas with exhaust fans which can cause poor air exchange.</p> <p data-bbox="1015 684 1511 821">If you smell gas, shut off the gas supply to the appliance, extinguish any open flame, and test all joints with a soap solution. If the odor persists, call you gas supplier immediately.</p> <p data-bbox="1015 852 1511 1010">Follow all safety instructions provided with the materials you are spraying. Use of a respirator may be required when working with some materials. Do not use this heater module to dispense hazardous materials.</p>

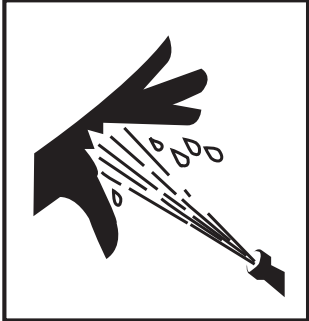
SAFETY WARNINGS

READ ALL SAFETY WARNINGS BEFORE INSTALLING AND USING HEATER MODULE

HAZARD	POTENTIAL CONSEQUENCE	PREVENTION
<p style="text-align: center;">RISK OF ELECTROCUTION OR ELECTRIC SHOCK</p> 	<p>Serious injury or death could result from improper installation.</p> <p>Serious injury or death could occur if the heater module is not properly grounded. Your heater module is powered by electricity and may cause electric shock or electrocution if not used properly.</p> <p>Electrical shock may occur if heater module is not operated properly.</p> <p>Serious injury or death may occur from contact with electricity.</p> <p>Serious injury or death may occur if electrical repairs are attempted by unqualified persons.</p>	<p>Installation of this unit including all electrical connections must comply with all local, state and national codes. (Standards to be followed include NFPA No. 70/NEC National Electrical Code. In Canada; Refer to the CSA C22.1 Canadian Electrical Code Part 1)</p> <p>This unit must be connected to a grounded, permanent wiring system; or an equipment-grounding conductor must be run with the circuit conductors and connected to the equipment-grounding lead on the unit.</p> <p>Make sure the heater module is connected to a properly grounded source which provides correct voltage and adequate fuse protection. Disconnect from power source when not in use or when making repairs.</p> <p>Do not attempt to light the pilot manually as the electronic spark ignition lights the pilot automatically.</p> <p>Never operate heater module with electrical enclosures open, removed or damaged.</p> <p>Do not touch machine while standing in water or with wet hands. Never let the electrical supply or any connections lay in the water.</p> <p>DO NOT direct spray on or into electrical installations of any kind! This includes electrical outlets, light bulbs, fuse boxes, transformers, the unit itself, etc.</p> <p>DO NOT allow metal components of the heater module to come in contact with live electrical components.</p> <p>Any electrical wiring or repairs performed on this heater module should be done by authorized service personnel in accordance with local and national electrical codes.</p> <p>Before opening any electrical enclosure, always shut off the heater module, relieve pressure and disconnect the heater module from the power source. Allow heater module to cool down. Never assume the heater module is safe to work on just because it is not operating. It could restart at any time!</p>

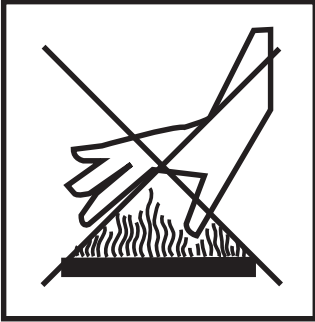


SAFETY WARNINGS

READ ALL SAFETY WARNINGS BEFORE INSTALLING AND USING HEATER MODULE

HAZARD	POTENTIAL CONSEQUENCE	PREVENTION
<p style="text-align: center;">RISK OF INJECTION OR SEVERE CUTTING INJURY</p> <div style="text-align: center;">  </div>	<p>Serious injury or death could occur from high pressure spray penetrating the skin.</p>	<p>Keep clear of nozzle and spray! Never put your hand, fingers or body directly over the spray nozzle.</p> <p>Never point the high pressure discharge stream at persons.</p> <p>This equipment is to be used only by trained operators.</p> <p>Always keep operating area clear of all persons.</p> <p>To reduce the risk of injury, close supervision is necessary when using this equipment near children. DO NOT allow children to operate this unit.</p> <p>SEEK EMERGENCY MEDICAL CARE if the spray appears to have penetrated the skin! DO NOT TREAT AS A SIMPLE CUT! Be prepared to tell a physician exactly what kind of cleaning agents you were using by reading the Material Safety Data Sheet (MSDS) provided with your detergent.</p> <p>High pressure hoses should be inspected daily for signs of wear. If evidence of failure exists, promptly replace all suspect hoses to prevent the possibility of injury from the high pressure spray. If a hose or fitting is leaking, NEVER PLACE YOUR HAND DIRECTLY ON THE LEAK.</p> <p>Before using heater module, or when quick connecting high pressure hoses and spray nozzles, be certain the "collar" on the female quick connect is locked securely to prevent accidental discharge and that all quick coupler fittings are secure.</p> <p>NEVER operate the gun with the trigger wired in the open position. To prevent accidental discharge, the trigger gun should be securely locked when not in use.</p> <p>Before removing the spray nozzle or servicing the unit, ALWAYS shut off the unit and trigger the gun to release trapped pressure. (Even after you shut off the unit, there is high pressure water left in the pump, hose and gun until you release it by triggering the gun.)</p>


SAFETY WARNINGS

READ ALL SAFETY WARNINGS BEFORE INSTALLING AND USING HEATER MODULE

HAZARD	POTENTIAL CONSEQUENCE	PREVENTION
<p style="text-align: center;">RISK OF BURNS</p> 	<p>Serious injury may occur from touching the heat exchanger or vent piping. These areas can remain hot for some time after the heater module is shutdown.</p>	<p>Never allow any part of your body to contact the heat exchanger or the vent piping.</p>
<p style="text-align: center;">RISK OF BURSTING</p> 	<p>Serious injury may occur from a heater module malfunction or exploding accessories if incorrect system components, attachments or accessories are used.</p> <p>Serious injury or death may occur if attempting to start the heater module when the unit is frozen.</p>	<p>If burner fails to shut off, turn off the gas supply and contact your serviceman.</p> <p>Never exceed manufacturers maximum allowable pressure rating of attachments.</p> <p>Do not allow any hoses to make contact with the heat exchanger to prevent the possibility of bursting. Avoid dragging the hoses over abrasive surfaces such as cement.</p> <p>Use only manufacturer recommended repair parts for your heater module.</p> <p>In freezing temperatures, the unit must always be warm enough to ensure there is no ice formation in the unit. Do not start the heater module without first allowing the unit to thaw.</p>
<p style="text-align: center;">RISK FROM MOVING PARTS</p> 	<p>Serious injury may occur to the operator from moving parts on the heater module.</p>	<p>Do not operate the unit without all protective covers in place or make any adjustments without shutting off the heater module, relieving pressure and disconnecting the heater module from the power source. Allow heater module to cool down. Never assume the heater module is safe to work on just because it is not operating. It could restart at any time!</p>

SAFETY WARNINGS

READ ALL SAFETY WARNINGS BEFORE INSTALLING AND USING HEATER MODULE

HAZARD	POTENTIAL CONSEQUENCE	PREVENTION
<p>RISK OF BODILY INJURY</p> 	<p>Serious injury or death may occur from detergents contacting or penetrating the skin.</p> <p>Serious injury can occur from loose debris being propelled at a high speed from the spray gun.</p> <p>Injury may occur if the operator loses his balance caused by the thrust of water traveling through the spray nozzle.</p> <p>Injury may occur from the heater module.</p>	<p>SEEK EMERGENCY MEDICAL CARE if the spray appears to have penetrated the skin! DO NOT TREAT AS A SIMPLE CUT! Be prepared to tell a physician exactly what kind of cleaning agents you were using by reading the Material Safety Data Sheet (MSDS) provided with your detergent.</p> <p>Never use any solvents or highly corrosive detergents or acid type cleaners with this heater module.</p> <p>Protective equipment such as rubber suits, gloves and respirators are advisable, especially when using cleaning detergents.</p> <p>Keep all detergents out of the reach of children!</p> <p>ALWAYS wear protective goggles when operating the unit to shield the eyes from flying debris and detergents.</p> <p>DO NOT direct spray toward fragile materials such as glass for shattering could occur.</p> <p>Stay alert-watch what you are doing. Do not operate the unit when fatigued or under the influence of alcohol or drugs.</p> <p>NEVER squeeze the trigger unless securely braced.</p> <p>DO NOT overreach or stand on unstable support.</p> <p>Wet surfaces can be slippery, wear protective foot gear and keep good footing and balance at all times.</p> <p>NEVER trigger the gun while on a ladder or roof.</p> <p>ALWAYS hold on firmly to the gun/lance assembly when starting and operating the unit. Failure to do so can cause the lance to fall and whip dangerously.</p> <p>Know how to stop the heater module and bleed pressures quickly. Be thoroughly familiar with controls.</p> <p>DO NOT leave pressurized unit unattended. Shut off the heater module and release trapped pressure before leaving.</p> <p>DO NOT operate the unit if you see any oil or water leaks from the machine. DO NOT resume operation until the unit has been inspected and repaired by a qualified serviceman.</p> <p>Never make adjustments on the machine while in operation.</p> <p>Before servicing the unit: shut off the heater module, relieve pressure and disconnect the heater module from the power source. Allow heater module to cool down. Never assume the heater module is safe to work on just because it is not operating. It could restart at any time!</p>



SAVE THESE INSTRUCTIONS



INSTALLATION



DANGER

RISK OF EXPLOSION OR FIRE!
DO NOT PLACE UNIT IN AN AREA WHERE FLAMMABLE GAS VAPORS MAY BE PRESENT. A SPARK COULD CAUSE AN EXPLOSION OR FIRE!

RISK OF UNIT BURSTING!
DO NOT LOCATE THE UNIT IN FREEZING ENVIRONMENTS!



WARNING

RISK OF ASPHYXIATION!
USE THIS PRODUCT ONLY IN WELL VENTILATED AREAS! THE EXHAUST CONTAINS CARBON MONOXIDE, A POISONOUS, ODORLESS AND INVISIBLE GAS. BREATHING THIS GAS CAN CAUSE SERIOUS INJURY, ILLNESS & POSSIBLE DEATH.



WARNING

RISK OF ELECTROCUTION!

THIS UNIT MUST BE CONNECTED TO A PROPERLY GROUNDED OUTLET.

LOCATION AND PLACEMENT:

1. This unit should be installed indoors by a qualified serviceman in a non-freezing, dry environment away from damaging winds and rain. If any part of the unit becomes frozen, excessive pressure may build up in the unit which could cause it to burst resulting in possible serious injury to the operator or bystanders. Normal precautions should be taken so that excess moisture does not reach the electrical controls or the power unit.
2. It should be placed in an area away from flammable or combustible material. These types of material should be kept at least 20 feet away from the gas-fired units.
3. Avoid small areas and exhaust fans. Combustion becomes difficult and carbon monoxide may result in these areas. Allow enough space for servicing. Some codes will require certain distances from walls and flooring. Two feet away from the walls should suffice.
4. This unit should only be placed on a level surface. NEVER spray water directly on the unit.
5. **DO NOT** place unit in an area:
 - a. where flammable gas vapors may be present.
 - b. with insufficient ventilation.
 - c. where there is evidence of oil or fuel leaks.

ELECTRICAL:

1. Installation of this unit should be performed by a qualified serviceman and all electrical installation must conform to all local, state and national codes, including NFPA No. 70 (NEC) National Electrical Code. In Canada; Refer to the CSA C22.1 Canadian Electrical Code Part 1.
2. Ensure electrical supply is identical to the specifications listed on the heater module data plate.
3. Ensure all connections are secure and covers are replaced.

INSTALLATION

GAS PIPING:

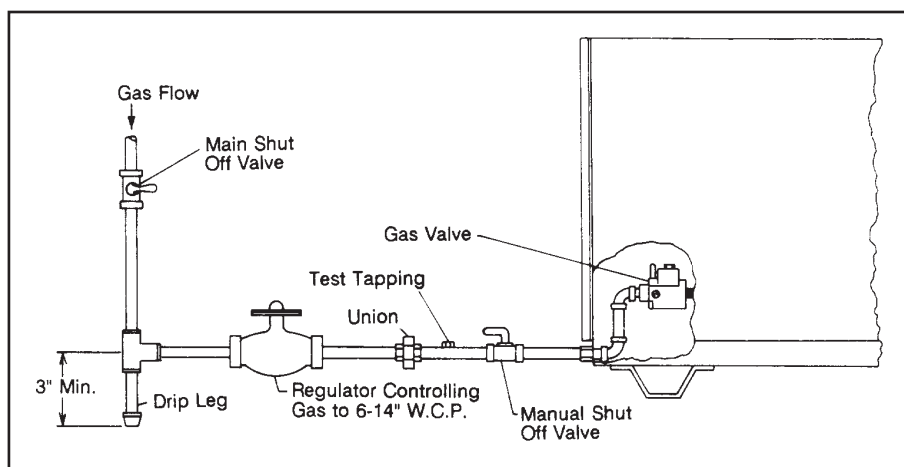
1. Installation of this unit should be performed by a qualified serviceman and all gas piping must conform to all local, state and national codes, including the National Fuel Gas Code ANSI Z223.1/NFPA No. 54. In Canada; Refer to the CSA B149.1 Gas Installation Code.
2. Turn off gas and electricity before starting installation or service.
3. The gas line to the burner should be a separate supply from the meter because of the burner demand. Use new pipe and locate it with future service in mind. Use only black pipe or tubing suitable for gas applications and make sure the pipe is free from cutting burrs and defects. Use joint compound (not teflon tape) only on male fittings, leaving clean the first two threads to be engaged. DO NOT use compound on female threads where it can be pushed into the line and cause gas valve failure.

RECOMMENDED PIPE SIZES FOR GAS SUPPLY LINE

NATURAL GAS		L.P.-GAS	
DISTANCE TO UNIT FROM REGULATOR	PIPE SIZE	DISTANCE TO UNIT FROM REGULATOR	PIPE SIZE
0-50 Feet	1-1/2" 1PS	0-50 Feet	1" 1PS
50-100 Feet	2" 1PS	50-100 Feet	1-1/2" 1PS
100-200 Feet	2-1/2" 1PS	100-200 Feet	1-3/4" 1PS

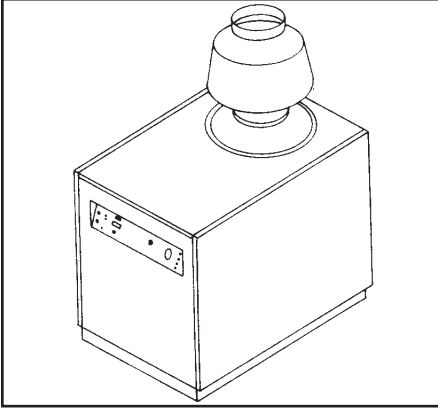
4. Following the gas line from the meter or regulator, before the machine, install a manual main shut-off valve.
5. Down stream from the main shut-off valve, a tee and drip leg should be installed to catch debris and moisture. This leg must be capped.
6. A 4" nipple and gas regulator should be installed off of the tee. This regulator should control gas pressure down to 3"-12" W.C.P.
7. On the other side of the regulator, another 4" nipple and union should be installed.
8. After the union and before the gas valve on the unit, a manual shut-off valve should be installed with a 1/8" NPT plugged tapping accessible for test gauge connection between it and the union.

GAS SUPPLY PIPING



INSTALLATION

DRAFT DIVERTER



VENTILATION:

1. Installation of this unit in an indoor or in an enclosed area should be performed by a qualified serviceman and all venting must conform to all local, state and national codes, including the National Fuel Gas Code ANSI Z223.1/NFPA No. 54. In Canada; Refer to the CSA B149.1 Gas Installation Code. The burner exhaust should be stacked to the outside atmosphere and a draft diverter should be installed as well.

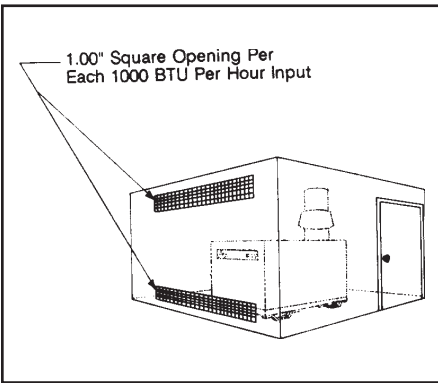
NOTE: *There should be no more than 6500 BTU per square inch of flue.*

2. A draft diverter must be installed above the exhaust outlet. This diverter breaks the chimney effect and enhances the draft through the burner for a more efficient flame. It also helps prevent cold air down drafts from freezing the heat exchanger.
3. Install the recommended flue pipe per local, state and national codes, including the National Fuel Gas Code ANSI Z223.1/NFPA No. 54. In Canada; Refer to the CSA B149.1 Gas Installation Code. If the flue pipe exceeds 10 feet in length or contains more than two elbows, the natural draft may be eliminated and the burner will not ignite. DO NOT install a movable flue pipe damper.
4. If the unit is being installed in an enclosed room, provide adequate air for combustion by installing openings to the room near the ceiling for ventilation and near the floor for burner combustion. These openings should be sized using one square inch for each 1000 BTU per inch of the machine.

Example: A heater module with a 400,000 BTU input requires openings of 400 square inch or approximately 3 feet x 1 foot.

5. If the building in which the unit is being installed seems unusually tightly constructed, it is recommended that air intakes extending to the outside of the building be employed to supply combustion air. End the intakes outside the building with a downward opening to protect these intakes from snow and/or rain. Include a mesh screen no smaller than 1/4" over the opening.

ENCLOSED ROOM VENTILATION



INSTALLATION

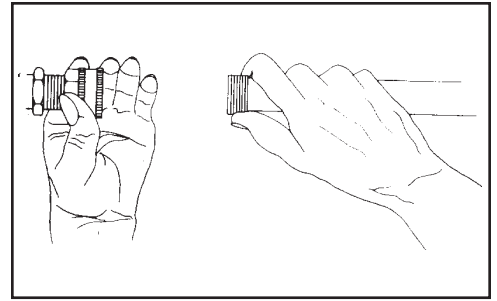
WATER SUPPLY:

1. Using the quick connect at the inlet of the unit, connect the water supply to the unit. For best results, the input to the unit should be 3-6 GPM.

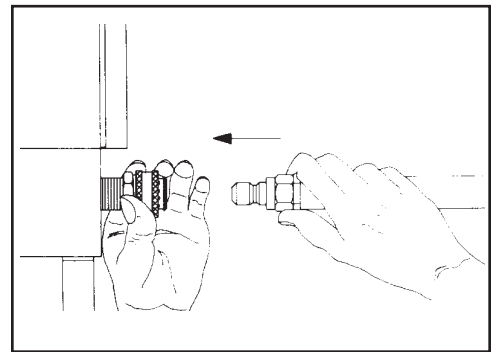
NOTE: Incoming water pressure must **not** exceed 3500 PSI.

2. Connect the discharge hose provided to the outlet of the unit.
3. Connect gun/wand/lance assembly to the discharge hose.
4. Make sure all connections are secured before start-up.

HOSE CONNECTION



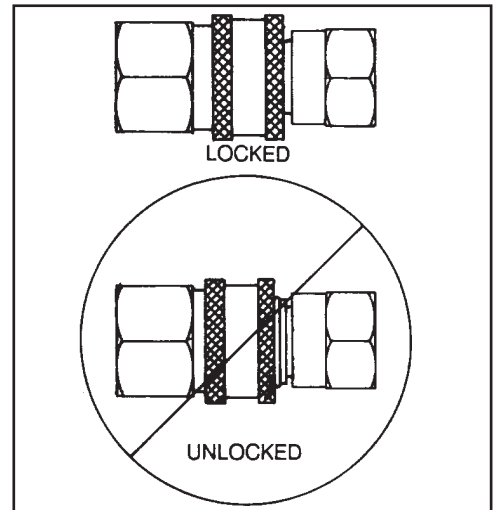
HIGH PRESSURE HOSE CONNECTION



HIGH PRESSURE CONNECTION:

Connect the high pressure discharge hose by connecting one end to the heater module and the other end to the gun assembly. Make certain the quick connects are securely locked together.

QUICK CONNECT

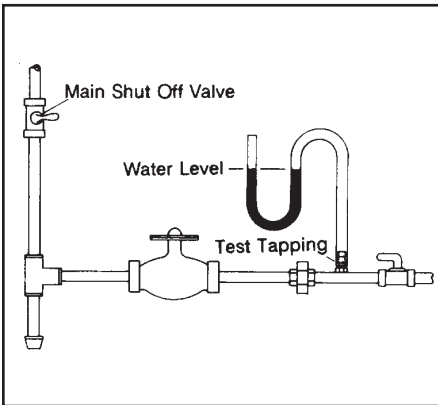


INSTALLATION

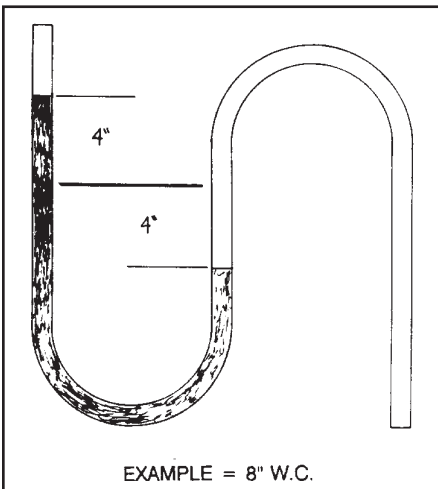
INSPECTING AND VERIFYING CONDITIONS:

1. Check to ensure the building is not weakened by the installation of this unit and make sure the piping is secure.
2. Check gas pressure and check all gas piping for leaks.
 - a. Ensure all gas connections are made and close the valve before the gas valve on the machine.
 - b. Immediately after opening the main valve, coat all piping and connections with soapy water to check for gas leaks. Defective piping and fittings should be replaced immediately.
 - c. After the meter and all piping have been checked for leaks, purge the air from the system by removing the test tapping plug and bleeding the line into a well-ventilated area to protect against potential fire hazard.
 - d. If a commercial manometer is not available, make one by using a clear tube about 1/2 full of water and shape it like a U. With the main shut-off valve closed, connect a hose barb fitting into the test tapping, connect the hose and mark the water level as shown.
 - e. Turn on the main gas valve and check the water column level by measuring the distance the two water levels rose and dropped from starting level. This must not exceed 14" W.C. Start the unit and check pressure with burner running. The gas pressure at this point should be 3-7" W.C. for N.G. and 8-12" W.C. for L.P.-Gas.
 - f. Turn off the main shut-off valve, remove test fitting and replace plug.
 - g. Using a 3/16" hex key wrench, remove plug from test port on gas valve inside the heater module and connect your manometer or test tube.
 - h. Turn on manual shut-off valve and gas regulating valve. Operate the unit so the burner runs and check the manifold pressure. The gas pressure at this point should be 2"-4" W.C. for N.G. and 8.5"-9.5" W.C. for L.P.-Gas.
 - i. Shut off the unit and manual shut-off valve, remove manometer or test tube and replace plug.
3. Adjusting the gas regulator on the gas valve normally IS NOT necessary since it is preset at the factory; however, if it is necessary, follow these instructions:
 - a. Using a 3/16" hex key wrench, remove plug from test port on gas valve inside the heater module and connect your manometer or test tube.
 - b. While running the burner, use the screwdriver to adjust the gas pressure (clockwise to increase and counterclockwise to decrease).
 - c. When finished, shut off the unit and manual shut-off valve, replace the adjustment cap, remove manometer or test tube and replace plug.

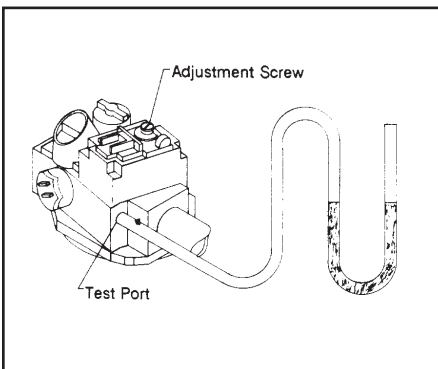
MAKING A MANOMETER



MEASURING WATER COLUMN



ADJUSTING GAS REGULATOR



INSTALLATION

PRE-OPERATION CHECKLIST:

Before starting the unit, answer the questions in this checklist:

QUESTIONS

CODES:	YES	NO
1. Does the electrical supply meet respected codes?	—	—
2. Does all gas supply piping meet respected codes?	—	—
3. Does the ventilation system meet respected codes?	—	—
LOCATION:		
1. Is the unit installed indoors on a level surface in a dry area protected from excessive wind, rain and moisture?	—	—
2. Is the unit located away from flammable and combustible material?	—	—
3. Is the unit located in a large enough area for adequate air flow?	—	—
ELECTRICAL:		
1. Is the unit properly grounded?	—	—
2. Do all electrical components used meet requirements shown on the unit I.D. Plate and is the voltage correct?	—	—
GAS SUPPLY:		
1. Is the proper fuel type (N.G. or L.P.-Gas) being used for your heater module?	—	—
2. Does the gas supply meet the demand of the BTU rating of the burner?	—	—
3. Has the proper gas regulator been installed for the proper pressure and flow?	—	—
4. Is all piping the right size and have all gas connections been checked for leaks?	—	—
5. Is the gas valve completely open?	—	—
6. Is the incoming gas pressure 3"-7" W.C. for N.G. and 8"-12" W.C. for L.P.-Gas?	—	—
7. Are the propane tanks (if applicable) employed large enough to avoid freezing according to the unit's rating?	—	—
VENTILATION:		
1. Are the correct flue pipe and draft hood sizes employed?	—	—
2. Is there adequate ventilation for burner combustion?	—	—
3. Is the unit properly vented to allow adequate air flow?	—	—
4. Is exhaust stacked to outside atmosphere?	—	—
GENERAL:		
1. Have all operators using this unit read the Installation and Operator's Manual and understood all safety warnings?	—	—
2. Has the unit been installed by qualified service people who followed the Installation and Operator's Manual instructions?	—	—
3. Is there ample water supply?	—	—

IF NO WAS MARKED FOR ANY OF THESE QUESTIONS, CORRECT THE SITUATION BEFORE OPERATING THIS GAS-FIRED UNIT.



PREPARATION

ATTIRE:

Proper attire is essential to your safety. It is advised to utilize whatever means necessary to protect eyes, ears, and skin. Additional safety attire (such as respiratory mask) may be required when using detergent cleaning agents with this heater module.



DANGER

RISK OF EXPLOSION OR

SMELL FOR GAS BEFORE STARTING UNIT. ALWAYS SNIFF AREA AROUND THE MACHINE FOR A GAS SMELL. BE SURE TO SNIFF FLOOR AREA, SINCE SOME GAS IS HEAVIER THAN AIR AND WILL SETTLE ON THE FLOOR.

IF YOU SMELL GAS:

- DO NOT START UNIT.
- DO NOT OPERATE ANY ELECTRICAL SWITCH.
- DO NOT LIGHT ANY APPLIANCE.
- DO NOT USE ANY PHONE IN THE ROOM OR AREA.
- LEAVE, GO TO ANOTHER LOCATION AND USE A PHONE TO CALL YOUR GAS SUPPLIER.
- FOLLOW THE GAS SUPPLIER'S INSTRUCTIONS.
- IF YOU CANNOT REACH YOUR GAS SUPPLIER, CALL THE FIRE DEPARTMENT.

PRE-START:

1. Before lighting, smell all around the machine for gas. Especially, sniff the floor area because some gas is heavier than air and will settle on the floor. Do not operate unit if smell exists. Leave the location and contact a qualified serviceman.
2. Check to ensure the voltage is on.

PRE-START INSPECTION PROCEDURES:

1. Before starting the unit, perform the following procedures:
 - a. Check for gas smell. If a gas smell is detected, DO NOT START UNIT! See "Risk of Explosion or Fire" warnings, pg. 4.
 - b. Check all hose connections to ensure they are securely tightened.
 - c. Inspect for system water and oil leaks.
 - d. Inspect high pressure hoses for kinking, cuts and leaks. If a cut or leak is found, DO NOT USE HOSE! Replace hose before starting unit. See "Risk of Injection" warnings, pg. 7. Be sure that all damaged parts are replaced and that the mechanical problems are corrected prior to operation of the unit. If you require service, contact your Customer Service Representative.

WARNING

THE FOLLOWING PAGES CONTAIN OPERATING AND MAINTENANCE INSTRUCTIONS.

DO NOT ATTEMPT TO OPERATE THIS HEATER MODULE UNTIL YOU HAVE READ AND UNDERSTOOD ALL SAFETY PRECAUTIONS AND INSTRUCTIONS LISTED IN THIS MANUAL. FOLLOW THE MAINTENANCE INSTRUCTIONS SPECIFIED IN THE MANUAL.

INCORRECT OPERATION OF THIS UNIT CAN CAUSE SERIOUS INJURY!!

DO NOT ALTER OR MODIFY THIS EQUIPMENT IN ANY MANNER!

OPERATING INSTRUCTIONS



CAUTION

RISK OF UNIT DAMAGE!

BE CERTAIN THE GUN & LANCE ASSEMBLY ARE NOT CONNECTED TO THE UNIT WHILE FLUSHING THE SYSTEM. FLUSHING ALLOWS MINERAL DEPOSITS TO BE RELEASED FROM THE SYSTEM WHICH WOULD OBSTRUCT OR DAMAGE THE GUN AND NOZZLE ASSEMBLY RESULTING IN COSTLY REPAIRS.

Once your unit has been installed by a qualified serviceman and you have completed the PRE-OPERATION CHECKLIST on pg. 16, you are ready for operation. The following steps will help you operate your machine safely.

FLUSHING THE SYSTEM:

1. This unit has a steel coil which, after setting, will cause the water remaining in the coil from the previous usage to turn brown or black. This water must be flushed from the system before start-up. This procedure should be performed **without** a gun and lance installed.
 - a. Attach garden hose to machine.
 - b. Turn on water supply.
 - c. Run the water for 3-5 minutes.
 - d. Turn off water supply when clear water is discharged from coil.



WARNING

RISK OF BURN!

THE WATER TEMPERATURE COULD BECOME VERY HOT DURING HOT WATER OPERATION. BE CAUTIOUS WHEN ADJUSTING PRESSURE OR CONTROLLING THE TRIGGER GUN/LANCE ASSEMBLY.

HOT WATER OPERATION:

1. Push in the burner switch to turn on the burner. On initial start-up, water will begin turning hot in approximately 60 seconds and will reach maximum temperature in approximately 3 minutes, provided the trigger remains squeezed. The burner will stop firing when the trigger is released.
2. Set thermostat to the desired setting.

At this point, the unit is operating as a hot water heater module. Be certain to be extremely cautious when adjusting the pressure and controlling the trigger gun/lance assembly to avoid the possibility of burns.

NOTE: *The burner is equipped with a safety lock-off device. If the pilot fails to ignite within 60 seconds, the gas valve locks OFF. Simply release the trigger for approximately another 60 seconds and repeat. During operation, the burner may cease and start occasionally because of the thermostat setting.*



IMPORTANT

WHEN COLD WATER IS BEING PUMPED INTO THE HEAT EXCHANGER AND THE BURNER IS ON, CONDENSATION MAY FORM ON THE COIL AND DRIP. THIS WILL GIVE THE APPEARANCE OF A LEAKING COIL PARTICULARLY IN COLD HUMID WEATHER.

SHUTDOWN:

1. If the burner switch is still on, turn it off.
2. Squeeze the trigger and discharge the water for a period of three minutes to cool the heat exchanger and high pressure hose. (Insufficient cool down period of the high pressure hose will cause excessive wear and eventual rupturing of the hose.)
3. Turn off the water supply to the heater module.
4. Trigger the gun momentarily to relieve trapped pressure.

MAINTENANCE

PREVENTIVE MAINTENANCE:

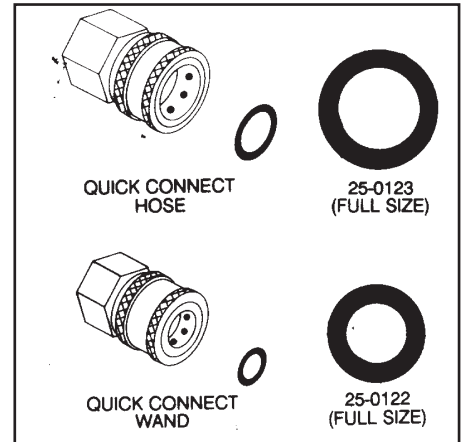
LEAKS: Promptly eliminate any leaks found in the pumping system by removing suspect parts, applying thread sealant to the threads and reinstalling.

NOTE: *If using teflon tape, be certain no tape gets inside any plumbing to prevent the possibility of a plugged spray nozzle.*

QUICK COUPLERS: There are o-ring seals inside the couplers which will deteriorate. To replace, simply install a replacement o-ring to correct the leak. (Additional o-rings can be purchased from your dealer.)

NOZZLE: Water flow through the spray nozzle will erode the orifice, making it larger, resulting in a pressure loss. Nozzles should be replaced whenever pressure is less than 85% of the maximum. The frequency of replacement will depend upon such variables as mineral content in the water and number of hours the nozzle is used.

QUICK COUPLERS



WINTERIZING:

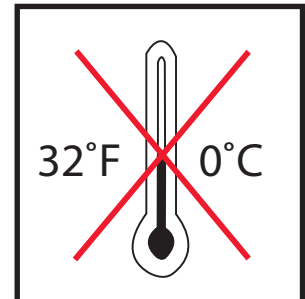
For storage and transportation purposes in subfreezing ambient temperatures, it will be necessary to winterize this unit. This unit must be protected to the lowest incurred temperature for the following reasons:

1. If any part of the water handling system becomes frozen; excessive pressure may build up in the unit which could cause the unit to burst resulting in possible serious injury to the operator or bystanders.
2. The water handling system in this unit may be permanently damaged if frozen. FREEZE DAMAGE IS NOT COVERED BY WARRANTY.

If you must store your unit in an area where the temperature may fall below 32°F, you can protect your unit by following the procedure outlined below.

AIR BLOW OUT:

1. Remove the nozzle from the wand assembly. Squeeze the trigger until water ceases to exit the wand assembly.
2. Connect an air fitting from an air hose to the heater module inlet.
3. Run compressed air into the system to remove all water from the system.



MAINTENANCE

PREVENTIVE OPERATOR MAINTENANCE CHART

PROCEDURE	DAILY
Gas leak inspection	X
Water leak inspection	X
Quick-connect and hose inspection	X

DEALER MAINTENANCE CHART

PROCEDURE	12 MONTHS
Gas supply inspection	X
Clean gas line drip legs	X
Burner inspection	X
Exhaust ventilation inspection	X
*Descale coil	X
*Scale buildup will vary with mineral content in the water and amount off usage. Descaling can range from monthly to yearly maintenance.	

TROUBLESHOOTING

SYMPTOM	PROBABLE CAUSE	REMEDY
Before start-up, you smell gas around the machine.	Gas is leaking.	Go to another location and call your gas supplier for instructions, or if you cannot reach the supplier, call the fire department.
Burner will not ignite.	Burner switch is not on. Thermostat knob is OFF. Trigger gun is closed. Vacuum or pressure switch failure. Gas valve safety lock-out. Inadequate gas supply. Gas line obstruction. Ignition module failure. Gas valve failure.	Check switch position. Check thermostat knob position. Open trigger gun for pressure. Repair or replace. Release trigger on gun or switch burner switch "OFF" for 60 seconds. Check gas supply. Check gas pressure. Replace. Replace.
Water is leaking under heat exchanger coil.	Condensation. Ruptured heat exchanger coil.	May occur in cool, humid conditions. coil. (See pg. 18, "IMPORTANT" notation.) Replace.

TABLE DES MATIÈRES

INTRODUCTION.....	25
AVERTISSEMENTS CONCERNANT LA SÉCURITÉ	26-31
RISQUES D'INCENDIE OU D'EXPLOSION	26
RISQUES D'ASPHYXIE	27
RISQUES D'ÉLECTROCUTION OU DE CHOC ÉLECTRIQUE	28
RISQUES D'INJECTION OU DE COUPURE GRAVE	29
RISQUES DE BRÛLURES	30
RISQUES D'ÉCLATEMENT	30
RISQUES POSÉS PAR LES PIÈCES EN MOUVEMENT.....	30
RISQUES DE BLESSURES CORPORELLES.....	31
INSTALLATION	32-37
EMPLACEMENT ET POSITIONNEMENT DE L' APPAREIL	32
ALIMENTATION ELECTRIQUE.....	32
CONDUITE D'ALIMENTATION EN GAZ	33
VENTILATION	34
ALIMENTATION EN EAU	35
RACCORDEMENT HAUTE PRESSION	35
INSPECTION ET VÉRIFICATIONS.....	36
LISTE DE VÉRIFICATIONS AVANT LA MISE EN MARCHÉ.....	37
PREPARATION.....	38
TENUE DE TRAVAIL	38
AVANT LA MISE EN MARCHÉ.....	38
INSPECTION DE SÉCURITÉ AVANT LA MISE EN MARCHÉ.....	38
INSTRUCTION D'UTILISATION.....	40
RINÇAGE DU SYSTÈME.....	40
UTILISATION AVEC EAU CHAUDE.....	40
ARRÊT DE L'APPAREIL.....	40
ENTRETIEN.....	41-42
ENTRETIEN PRÉVENTIF	41
HIVÉRISATION.....	41-42
TABLEAU DE MAINTENANCE.....	42
DEPANNAGE.....	43
CONDITIONS DE GARANTIE.....	44
NOTE	45

CODES NATIONAUX:

ANSI Z223.1 (NFPA N° 54) - CODE NATIONAL DES
CARBURANTS GAZEUX (É-U)
NFPA N° 70 (NEC) - CODE NATIONAL ÉLECTRIQUE (É-U)
AU CANADA; SE RÉFÉRER AU CODE D'INSTALLATION
DE GAZ CSA B149.1
AU CANADA; SE RÉFÉRER AU CODE ÉLECTRIQUE
CANADIEN CSA C22.1 PARTIE 1

WARNING

AVERTISSEMENT: Ce produit contient du plomb, un produit chimique qui est connu par l'état de Californie comme étant la cause de cancer et de malformations congénitales ou autres effets nocifs de reproduction.

Laver vos mains après avoir manipulé ce produit.

AVERTISSEMENT

Ce produit contient un ou plusieurs produits chimiques qui sont connus par l'état de Californie comme étant la cause de cancer, de défauts de naissance et d'autres problèmes reproductifs.

INTRODUCTION

Nous vous félicitons d'avoir acheté ce nouveau module de chauffage de la série HGM ! Soyez assuré que votre module de chauffage a été conçu et construit avec un souci de qualité et de haute performance. Chaque composant a subi des essais rigoureux pour garantir le plus haut degré de satisfaction.

Ce manuel de l'utilisateur, établi à votre intention, est composé de simples rubriques consacrées à la sécurité, à l'installation, à l'utilisation, à l'entretien et au dépannage de votre nouveau module de chauffage. En lisant ce manuel et en observant scrupuleusement les instructions fournies, vous serez assuré d'un fonctionnement sans problème pendant de longues années. Le contenu de ce manuel est basé sur les informations les plus récentes disponibles au moment de la publication sur les divers composants du laveur. Le fabricant se réserve le droit de modifier le prix, la couleur, les matériaux, l'équipement, les spécifications ou les modèles sans aucun préavis.

Ces paragraphes sont insérés dans un « ENCADRÉ DE SÉCURITÉ ». Cet encadré identifie et signale des avertissements de sécurité qui doivent être suivis durant la marche du module de chauffage. Accompagnant ces avertissements de sécurité, des mots clés indiquent le sérieux du danger. Les mots clés utilisés dans ce manuel sont les suivants :

DANGER : indique une situation présentant un danger imminent qui, s'il elle n'est pas évitée, VA provoquer des blessures graves, voire mortelles.

ATTENTION : indique une situation potentiellement dangereuse qui, s'il elle n'est pas évitée, RISQUE de provoquer des blessures graves, voire mortelles.

MISE EN GARDE : indique une situation potentiellement dangereuse qui, s'il elle n'est pas évitée, RISQUE de provoquer des blessures légères ou de gravité moyenne.



Les symboles à gauche de ce paragraphe sont des symboles avertisseurs. Ces symboles attirent l'attention du lecteur quant aux éléments et procédures présentant un danger potentiel pour lui et pour les autres utilisateurs de ce matériel.

TOUJOURS FOURNIR UNE COPIE DE CE MANUEL À QUICONQUE UTILISE CE MATÉRIEL. L'OPÉRATEUR DOIT LIRE TOUTES LES INSTRUCTIONS AVANT D'UTILISER CE MODULE DE CHAUFFAGE, EN INSISTANT BIEN SUR LES AVERTISSEMENTS TOUCHANT À LA SÉCURITÉ POUR ÉVITER LES RISQUES DE BLESSURES.

Une fois l'appareil déballé, inscrire immédiatement son numéro de série à la ligne ci-dessous.

NUMÉRO DE SÉRIE _____


Inspecter le matériel reçu pour vérifier qu'aucun dommage évident ou caché n'est présent. En cas de dommages, porter immédiatement une réclamation auprès du transporteur. S'assurer que toutes les pièces endommagées ont été remplacées et que tous les problèmes d'ordre mécanique ou électrique ont été résolus avant de mettre l'appareil en marche. Si vous avez besoin d'assistance, entrez en contact avec votre service clientèle.

En cas d'appel de dépannage, avoir sous la main toutes les informations ci-dessous :

1. Numéro de modèle
2. Numéro de série
3. Date et lieu d'achat


AVERTISSEMENTS CONCERNANT LA SÉCURITÉ

Lire tous les avertissements de sécurité avant l'installation et l'utilisation du module de chauffage.

DANGER	CONSEQUENCES POSSIBLES	PREVENTION
<p data-bbox="185 233 474 260">RISQUES D'ASPHYXIE</p> 	<p data-bbox="574 233 987 338">L'inhalation des gaz d'échappement du brûleur ou de vapeurs toxiques peut entraîner des lésions graves, voire mortelles.</p>	<p data-bbox="1013 233 1523 443">L'installation de cet appareil, ventilation des gaz de combustion incluse, doit se conformer à tous les codes locaux, provinciaux et nationaux. (Parmi les normes à respecter, le « National Fuel Gas Code » (code national des combustibles gazeux) ANSI Z223.1/NFPA N° 54. Au Canada; Se référer au code d'installation de gaz CSA B149.1).</p> <p data-bbox="1013 457 1523 653">Toujours s'assurer que la ventilation est adéquate (air frais venant de l'extérieur) pour permettre la respiration et la combustion. Ceci évitera une accumulation dangereuse d'oxyde de carbone. Se méfier des locaux mal aérés ou des locaux possédant des ventilateurs d'évacuation susceptibles de nuire aux échanges d'air.</p> <p data-bbox="1013 674 1523 856">Si une odeur de gaz est décelée, couper l'alimentation en gaz de l'appareil, éteindre toutes les flammes et vérifier tous les raccords à l'aide d'une solution savonneuse. Si l'odeur persiste, avvertir immédiatement le fournisseur de gaz.</p> <p data-bbox="1013 890 1523 1052">Suivre toutes les recommandations applicables aux matériaux soumis à la pulvérisation. L'utilisation d'un respirateur peut être nécessaire avec certains matériaux. Ne pas se servir du module de chauffage pour pulvériser des produits nocifs.</p>

AVERTISSEMENTS CONCERNANT LA SÉCURITÉ

Lire tous les avertissements de sécurité avant l'installation et l'utilisation du module de chauffage.

DANGER	CONSEQUENCES POSSIBLES	PREVENTION
<p>RISQUES D'ÉLECTROCUTION OU DE CHOC ÉLECTRIQUE</p> 	<p>Une installation incorrecte peut entraîner des blessures graves, voire mortelles.</p> <p>Une mise à la masse incorrecte du module de chauffage peut entraîner des blessures graves, voire mortelles. Ce module de chauffage marche à l'électricité et risque de provoquer des électrocutions ou des chocs électriques s'il est utilisé de manière incorrecte.</p> <p>Des chocs électriques sont possibles si le module de chauffage est utilisé de manière incorrecte.</p> <p>Le contact avec la source de courant peut entraîner des blessures graves, voire mortelles.</p> <p>Des réparations électriques par des personnes non qualifiées peuvent entraîner des blessures graves, voire mortelles.</p>	<p>L'installation de cet appareil, y compris tous les raccordements électriques, doit se conformer à tous les codes locaux, provinciaux et nationaux. (Parmi les normes à respecter, la norme NFPA N° 70/NEC Code électrique national. Au Canada; Se référer au code électrique Canadien CSA C22.1 Partie 1).</p> <p>Cet appareil doit être branché à une installation électrique permanente avec mise à la terre; ou un fil conducteur relié à une terre doit être tiré avec les fils conducteurs du circuit électrique et branché sur la borne de mise à la terre de l'appareil.</p> <p>Vérifier que le module de chauffage est branché à une source correctement mise à la terre, fournissant la tension correcte et protégée comme il se doit par un disjoncteur. Couper l'alimentation électrique lorsque l'appareil est inutilisé ou avant de procéder à des réparations.</p> <p>Ne pas essayer d'allumer manuellement la veilleuse. L'allumeur électronique à étincelle l'allume automatiquement.</p> <p>Ne jamais utiliser le module de chauffage lorsque ses armoires électriques sont ouvertes, démontées ou endommagées.</p> <p>Ne pas toucher la machine avec des mains mouillées ou si l'on est sur un sol mouillé. Ne jamais laisser les câbles d'alimentation ni une quelconque connexion reposer dans l'eau.</p> <p>NE JAMAIS diriger directement le jet de pulvérisation vers du matériel électrique, quel qu'il soit ! Ceci inclut les prises électriques, les ampoules, les tableaux de distribution, les transformateurs, l'appareil lui-même, etc.</p> <p>NE JAMAIS mettre en contact les parties métalliques du module de chauffage avec des composants sous tension.</p> <p>Toute réparation ou câblage électrique de ce module de chauffage doit être effectué par un réparateur agréé et conformément aux codes électriques locaux et nationaux.</p> <p>Avant d'ouvrir une quelconque armoire électrique, toujours éteindre puis dépressuriser le module de chauffage et le débrancher de son alimentation électrique. Attendre qu'il se refroidisse. Ne jamais présumer que l'on peut intervenir sans danger sur le module de chauffage simplement parce qu'il est arrêté. Il pourrait redémarrer à tout moment !</p>

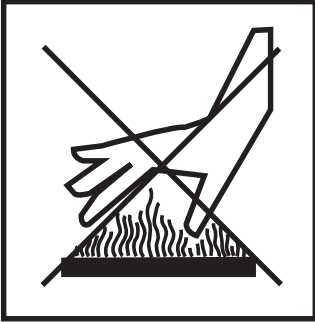


AVERTISSEMENTS CONCERNANT LA SÉCURITÉ

Lire tous les avertissements de sécurité avant l'installation et l'utilisation du module de chauffage.

DANGER	CONSEQUENCES POSSIBLES	PREVENTION
<p data-bbox="164 233 553 289">RISQUES D'INJECTION OU DE COUPURE GRAVE</p> 	<p data-bbox="594 233 995 338">La pulvérisation à haute pression risque de pénétrer la peau et de provoquer des blessures graves, voire mortelles.</p>	<p data-bbox="1019 233 1528 338">Se tenir à distance de la buse et de la pulvérisation ! Ne jamais placer la main, les doigts ou toute partie du corps sur la buse de pulvérisation.</p> <p data-bbox="1019 363 1528 443">Ne jamais pointer la pulvérisation à haute pression dans votre direction ou en direction de quiconque.</p> <p data-bbox="1019 468 1528 520">Se tenir à l'écart du jet. Ne pas diriger le jet de sortie vers d'autres personnes.</p> <p data-bbox="1019 546 1528 598">Ce produit est destiné uniquement à des personnes formées à son utilisation.</p> <p data-bbox="1019 623 1528 676">Personne ne doit se trouver dans la zone d'utilisation de l'appareil.</p> <p data-bbox="1019 701 1528 806">Pour réduire le risque de blessures, surveiller les enfants de près quand vous vous servez de l'appareil à côté d'eux. INTERDIRE aux enfants d'utiliser cet appareil.</p> <p data-bbox="1019 831 1528 1031">OBTENIR DES SOINS MÉDICAUX D'URGENCE si la pulvérisation paraît avoir pénétré la peau ! NE PAS TRAITER CECI COMME UNE SIMPLE COUPURE ! Être prêt à informer le médecin du type de produits nettoyants utilisé en consultant les fiches signalétiques (MSDS) fournies avec les détergents.</p> <p data-bbox="1019 1056 1528 1287">Les boyaux haute pression doivent être inspectés quotidiennement pour vérifier l'absence de signes d'usure. Si une défectuosité est évidente, remplacer tous les boyaux suspects pour éviter le risque de blessures par la pulvérisation haute pression. Si un boyau ou un raccord fuit, NE PLACER JAMAIS LA MAIN DIRECTEMENT SUR LA FUITE.</p> <p data-bbox="1019 1312 1528 1528">Avant d'utiliser le module de chauffage , ou lors de la connexion par raccord rapide des boyaux haute pression aux buses de pulvérisation, s'assurer que le collier du raccord rapide femelle est soigneusement verrouillé afin d'éviter une décharge fortuite et que tous les raccords d'accouplement rapide sont solidement engagés.</p> <p data-bbox="1019 1554 1528 1682">NE JAMAIS UTILISER le pistolet avec sa gâchette bloquée en position ouverte. Pour éviter des décharges accidentelles, cette gâchette doit être solidement verrouillée lorsque le pistolet est inutilisé.</p> <p data-bbox="1019 1707 1528 1938">Avant de démonter la buse de pulvérisation ou avant un dépannage de l'appareil, TOUJOURS arrêter l'appareil et appuyer sur la gâchette du pistolet pour relâcher la pression résiduelle au sein du système. (Même après l'arrêt de l'appareil, la pompe, le boyau et le pistolet contiennent encore de l'eau sous forte pression, la pression n'étant dissipée qu'en actionnant la gâchette du pistolet.)</p>


AVERTISSEMENTS CONCERNANT LA SÉCURITÉ

Lire tous les avertissements de sécurité avant l'installation et l'utilisation du module de chauffage.

DANGER	CONSEQUENCES POSSIBLES	PREVENTION
<p>RISQUES DE BRÛLURES</p> 	<p>Le fait de toucher l'échangeur de chaleur ou la conduite d'évacuation risque de provoquer de graves blessures. Ces pièces peuvent rester brûlantes, même après l'arrêt du module de chauffage.</p>	<p>Veiller à ne jamais toucher l'échangeur de chaleur ou le conduit d'évacuation.</p>
<p>RISQUES D'ÉCLATEMENT</p> 	<p>Si l'on utilise des composants, ou accessoires incorrects, de graves blessures sont à craindre par suite d'un mauvais fonctionnement du module de chauffage ou de l'explosion d'un de ses accessoires.</p> <p>Toute tentative de mise en marche d'un module de chauffage gelé risque de provoquer des blessures graves, voire mortelles.</p>	<p>Si le brûleur ne s'éteint pas, couper l'arrivée de gaz et contacter le réparateur.</p> <p>Ne jamais dépasser la pression maximale permise par le fabricant des accessoires utilisés.</p> <p>Pour éviter des éclatements accidentels, faire en sorte qu'aucun boyau ne puisse venir en contact avec l'échangeur de chaleur. Éviter de traîner les boyaux sur des surfaces abrasives, telles les surfaces cimentées.</p> <p>N'utiliser que des pièces de rechange recommandées par le fabricant du module de chauffage.</p> <p>En cas de gel, l'appareil doit toujours être suffisamment chaud pour empêcher la formation de glace à l'intérieur. Ne pas mettre en marche le laveur tant qu'il n'est pas dégelé.</p>
<p>RISQUES POSÉS PAR LES PIÈCES EN MOUVEMENT</p> 	<p>Les pièces en mouvement du module de chauffage sont susceptibles de blesser grièvement l'opérateur.</p>	<p>Ne pas utiliser l'appareil sans que tous ses capots de protection soient en place et ne faire aucun réglage sans tout d'abord arrêter et dépressuriser l'appareil, puis le débrancher de son alimentation électrique. Laisser l'appareil se refroidir. Ne jamais présumer que l'on peut intervenir sans danger sur l'appareil simplement parce qu'il est arrêté. Il pourrait redémarrer à tout moment!</p>

AVERTISSEMENTS CONCERNANT LA SÉCURITÉ

Lire tous les avertissements de sécurité avant l'installation et l'utilisation du module de chauffage.

DANGER	CONSEQUENCES POSSIBLES	PREVENTION
<p>RISQUES DE BLESSURES CORPORELLES</p> 	<p>Des blessures graves, voire mortelles sont possibles si le détergent pénètre la peau ou entre en contact avec elle.</p> <p>La projection de débris à très grande vitesse par le pistolet de pulvérisation peut provoquer de graves blessures.</p> <p>L'opérateur risque de se blesser si la pression de l'eau sortant de la buse de pulvérisation le déséquilibre.</p> <p>Le module de chauffage risque de blesser.</p>	<p>OBTENIR DES SOINS MÉDICAUX D'URGENCE si la pulvérisation paraît avoir pénétré la peau ! NE PAS TRAITER CECI COMME UNE SIMPLE COUPURE ! Être prêt à informer le médecin du type de produits nettoyants utilisés en consultant les fiches signalétiques (MSDS) fournies avec les détergents.</p> <p>Ne jamais utiliser de solvants ou de détergents fortement corrosifs ou des produits nettoyants acides avec ce laveur haute pression.</p> <p>Il est conseillé de porter des équipements de protection, tels combinaisons caoutchoutées, gants et respirateurs, surtout lorsqu'on utilise des détergents.</p> <p>Tenir tous les détergents hors de portée des enfants.</p> <p>TOUJOURS porter des lunettes protectrices durant l'utilisation de l'appareil afin de se protéger des projections de débris et de détergent.</p> <p>NE PAS diriger la pulvérisation sur des matériaux fragiles comme le verre car ils risquent de se briser.</p> <p>Rester attentif - être conscient de ce que l'on fait. Ne pas utiliser l'appareil s'il l'on est fatigué, en état d'ébriété ou sous l'influence de médicaments ou drogues.</p> <p>NE JAMAIS presser sur la gâchette tant que l'on n'a pas assuré sa position.</p> <p>NE PAS essayer d'atteindre des objets trop éloignés. NE PAS se tenir sur des supports instables.</p> <p>Les surfaces mouillées peuvent être glissantes. Porter des chaussures de protection et constamment assurer son équilibre et avoir le pied sûr.</p> <p>NE JAMAIS presser sur la gâchette s'il l'on est sur un toit ou une échelle.</p> <p>TOUJOURS tenir fermement le pistolet / la lance durant la mise en marche et l'utilisation de l'appareil. L'inobservation de cette consigne peut entraîner la chute de la lance qui risque alors de se déplacer avec violence.</p> <p>Savoir comment arrêter le module de chauffage et le dépressuriser rapidement. Bien connaître toutes ses commandes.</p> <p>NE PAS laisser l'appareil sous pression sans surveillance. Avant de s'en éloigner, l'arrêter et relâcher la pression résiduelle.</p> <p>NE PAS utiliser l'appareil si des fuites d'huile ou d'eau se manifestent. NE PAS reprendre l'utilisation tant que l'appareil n'a pas été inspecté et réparé par un réparateur qualifié. Ne jamais modifier les réglages de l'appareil pendant la marche.</p> <p>Avant tout dépannage, arrêter l'appareil, relâcher sa pression résiduelle et le débrancher de son alimentation électrique. Laisser l'appareil se refroidir. Ne jamais présumer que l'on peut intervenir sans danger sur le module de chauffage simplement parce qu'il est arrêté. Il pourrait redémarrer à tout moment !</p>




CONSERVEZ CES INSTRUCTIONS




INSTALLATION

 **DANGER**
RISQUES D'INCENDIE OU D'EXPLOSION !
NE PAS PLACER L'APPAREIL DANS UN ENDROIT OÙ DES VAPEURS INFLAMMABLES RISQUENT D'ÊTRE PRÉSENTES. UNE ÉTINCELLE PEUT PROVOQUER UNE EXPLOSION OU UN INCENDIE !
RISQUES D'ÉCLATEMENT DE L'APPAREIL ! NE PAS SITUER L'APPAREIL DANS UN ENDROIT OÙ IL RISQUE DE GELER.

 **ATTENTION**
RISQUES D'ASPHYXIE !
N'UTILISER CE PRODUIT QUE DANS UN LOCAL BIEN VENTILÉ ! LES GAZ D'ÉCHAPPEMENT CONTIENNENT DE L'OXYDE DE CARBONE, UN GAS INODORE, INVISIBLE ET TOXIQUE. L'INHALATION DE CE GAZ PEUT PROVOQUER DES MALADIES ET DES LÉSIONS GRAVES, VOIRE MORTELLES.

EMPLACEMENT ET POSITIONNEMENT DE L'APPAREIL:

1. Cet appareil doit être installé en intérieur par un technicien qualifié, dans un lieu sec protégé du gel, et abrité des vents violents et de la pluie. Si une quelconque partie de l'appareil vient à geler, une pression excessive peut être engendrée à l'intérieur de l'appareil, provoquant son éclatement et risquant de blesser gravement l'opérateur et le personnel avoisinant. Prendre les mesures habituelles pour protéger d'une humidité excessive les commandes électriques de l'unité d'alimentation.
2. L'appareil doit être placé à bonne distance de tout matériau inflammable ou combustible. Ces types de matériaux doivent être au moins à 6 mètres des appareils fonctionnant au gaz.
3. Éviter les locaux exigus et les ventilateurs d'évacuation. La combustion devient difficile, favorisant la création d'oxyde de carbone dans ces locaux. Ménager un espace suffisant pour le dépannage. Certains codes exigent un dégagement suffisant vis à vis des murs et du sol. Un espace de 60 cm entre l'appareil et les murs devrait suffire.
4. L'appareil doit absolument être placé sur une surface. NE JAMAIS pulvériser de l'eau directement sur l'appareil.
5. **NE PAS** placer l'appareil à un endroit :
 - a. où des vapeurs inflammables risquent d'être présentes
 - b. où la ventilation est insuffisante
 - c. où des fuites d'huiles ou de carburant sont évidentes.

 **ATTENTION**
RISQUES D'ÉLECTROCUTION
CET APPAREIL DOIT ÊTRE BRANCHÉ À UNE PRISE CORRECTEMENT MISE À LA TERRE.

ALIMENTATION ÉLECTRIQUE:

1. L'installation de l'appareil doit être effectuée par un technicien qualifié et l'installation électrique doit satisfaire aux codes locaux, provinciaux et nationaux en vigueur, y compris (États-Unis) le code national électrique (NEC), NFPA N° 70.
2. S'assurer que l'alimentation électrique correspond bien aux spécifications indiquées sur la plaque signalétique du laveur.
3. S'assurer que toutes les connexions sont bien serrées et que tous les couvercles sont remis en place.

INSTALLATION

CONDUITE D'ALIMENTATION EN GAZ:

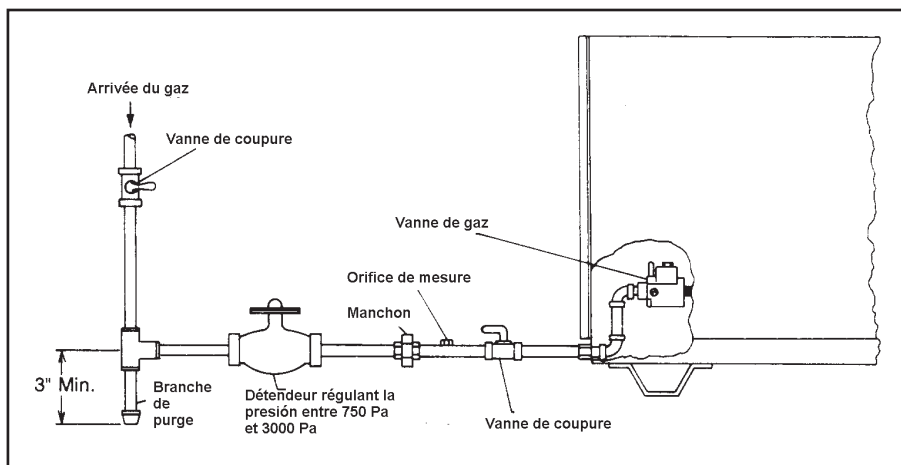
1. L'installation de cet appareil doit être effectuée par un technicien qualifié et toutes les tuyauteries de gaz doivent satisfaire aux codes locaux, provinciaux et nationaux en vigueur, y compris (États-Unis) le code national des carburants gazeux ANSI Z223.1 / NFPA N° 54. Au Canada; Se référer au code d'installation de gaz CSA B149.1).
2. Couper le gaz et l'alimentation électrique avant de commencer l'installation ou le dépannage.
3. En raison de la consommation du brûleur, la tuyauterie de gaz alimentant le brûleur doit être une tuyauterie distincte reliée directement au compteur de gaz. Employer des tuyaux neufs. Installer la tuyauterie de manière à faciliter tout dépannage ultérieur. N'utiliser que de tubes ou tuyaux en fonte noire compatibles avec le gaz et s'assurer que le tuyau ne présente aucune ébarbure de coupe et autres défauts. N'appliquer du mastic à joint (pas de ruban de Téflon) que sur les raccords mâles en veillant à ne pas recouvrir les deux premiers filets d'engagement. NE PAS appliquer de mastic sur les taraudages femelles, car il risque d'être forcé à l'intérieur de la conduite et de provoquer une défaillance de la vanne.

TAILLES DE TUYAU RECOMMANDÉES POUR L'ALIMENTATION EN GAZ

GAZ NATUREL		GAZ LIQUIDE	
DISTANCE ENTRE DÉTENDEUR ET APPAREIL	DIAMÈTRE DU TUYAU	DISTANCE ENTRE DÉTENDEUR ET RÉGULATEUR	DIAMÈTRE DU TUYAU
0 - 50 Pieds / 0-15 Mètres	1-1/2" 1PS	0-50 Pieds / 0-15 Mètres	1"1PS
50 - 100 Pieds / 15 - 30 M	2" 1 PS	50 - 100 Pieds / 15 - 30 M	1 - 1/2" 1PS
100 - 200 Pieds / 30 - 60 M	2 - 1/2" 1PS	100 -200 Pieds / 30 - 60 M	1 - 3/4" 1PS

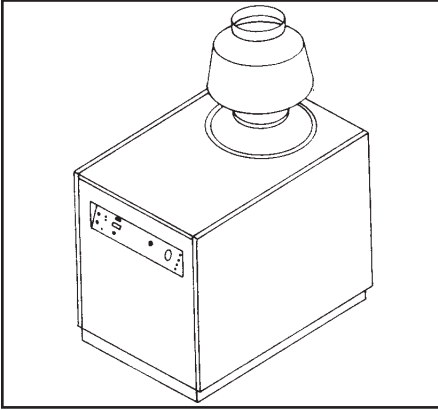
4. Sur la conduite de gaz entre le compteur ou détendeur et l'appareil, installer une vanne de coupure générale de l'alimentation.
5. En aval de la vanne de coupure, installer un té avec une branche de purge où les débris et la condensation éventuelle pourront s'accumuler. Cette branche doit être obturée par un capuchon.
6. En sortie du té, installer un tuyau de 4 pouces et un détendeur. Ce dernier doit abaisser et réguler la pression du gaz entre 750 Pa et 3000 Pa.
7. Installer un second tuyau de 4 pouces terminé par un manchon de raccordement en aval du détendeur.
8. Après le manchon et avant la vanne de gaz de l'appareil, installer une autre vanne. Entre celle-ci et la manchon, prévoir un orifice fileté, fermé par un bouchon pour le raccordement éventuel d'un manomètre de vérification.

TUYAUTERIE D'ALIMENTATION EN GAZ



INSTALLATION

DÉFLECTEUR DE TIRAGE



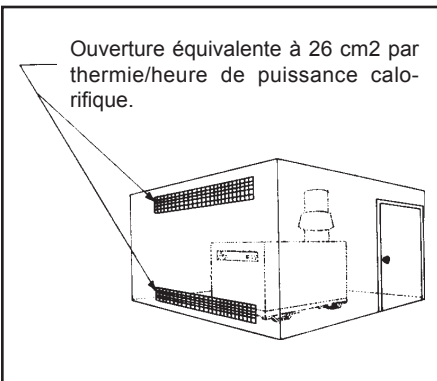
VENTILATION:

1. L'installation de cet appareil en intérieur ou dans un local clos doit être effectuée par un technicien qualifié et la ventilation du local doit se conformer à tous les codes locaux, provinciaux et nationaux. (Parmi les normes à respecter, le « National Fuel Gas Code » code national des combustibles gazeux ANSI Z223.1/NFPA N° 54. Au Canada; Se référer au code d'installation de gaz CSA B149.1). Le conduit d'évacuation du brûleur doit sortir à l'atmosphère et un déflecteur de tirage doit également être installé.

REMARQUE : ne pas dépasser 0,25 thermie par cm² de conduit d'évacuation.

2. Un déflecteur de tirage doit également être installé au-dessus de la sortie d'évacuation de l'appareil. Ce déflecteur élimine l'effet de cheminée et favorise le tirage à travers le brûleur, améliorant ainsi la combustion. Il contribue également à éviter que l'échangeur de chaleur ne soit gelé en cas de vent glacial.

VENTILATION DE LOCAUX FERMÉS



3. Installer le conformer à tous les codes locaux, provinciaux et nationaux. (Parmi les normes à respecter, le « National Fuel Gas Code » code national des combustibles gazeux ANSI Z223.1/NFPA N° 54. Au Canada; Se référer au code d'installation de gaz CSA B149.1). Si la longueur de ce conduit dépasse 3 mètres, ou si plus de deux coudes sont présents, le tirage naturel ne se fera plus et le brûleur ne s'allumera pas. NE PAS installer un registre de tirage réglable.
4. Si l'appareil est installé dans un local clos, assurer une quantité d'air suffisante pour la combustion en ménageant des ouvertures près du plafond pour l'aération du local et près du sol pour la combustion. Ces ouvertures doivent être dimensionnées de manière à offrir au moins 26 cm² par thermie/heure de puissance calorifique.

Exemple : un module de chauffage ayant une puissance de chauffe de 100 thermies/heure exige au moins 2600 cm² d'ouverture, soit une ouverture d'environ 30 cm par 90 cm.

5. Si le bâtiment dans lequel l'appareil est installé semble être spécialement hermétique, il est recommandé d'utiliser des prises d'air communiquant avec l'extérieur du bâtiment pour fournir directement l'air de combustion nécessaire. L'orifice à l'extrémité de ces prises d'air doit être orienté vers le bas afin de les protéger de la pluie et de la neige. Couvrir l'ouverture d'un grillage métallique dont la maille est au moins de 6 mm.

INSTALLATION

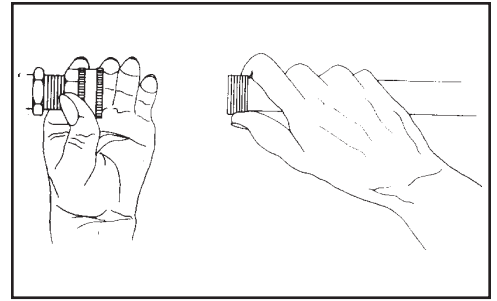
ALIMENTATION EN EAU:

1. En utilisant le raccord rapide à l'entrée de l'appareil, relier l'alimentation en eau à l'appareil. Pour les meilleurs résultats, le débit disponible vers l'appareil doit être de 3-6 GPM (11 à 22 l/min).

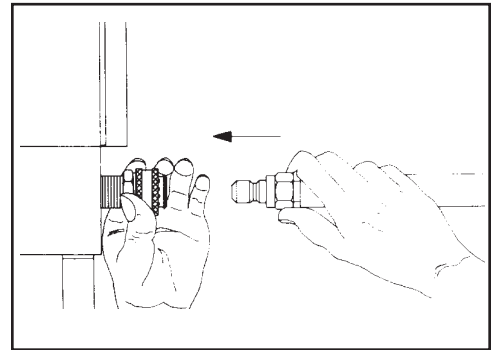
NOTE: La pression de l'alimentation en eau doit être inférieure à 3500 PSI (241 Bar) .

2. Relier le tuyau de décharge fourni avec l'appareil à la sortie de l'appareil.
3. Relier l'ensemble pistolet/lance au tuyau de décharge.
4. S'assurer que tous les raccords sont bien verrouillés avant le démarrage.

RACCORDEMENT DU BOYAU



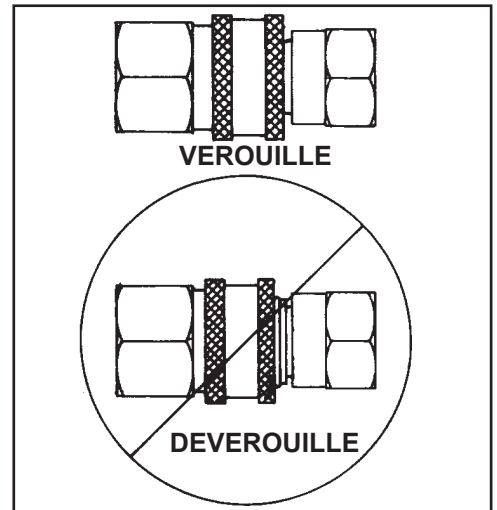
RACCORDEMENT DU BOYAU HAUTE PRESSION



RACCORDEMENT HAUTE PRESSION:

Raccorder le boyau haute pression en le branchant d'un côté au module de chauffage et de l'autre côté au pistolet. Vérifier que les raccords rapides sont bien verrouillés.

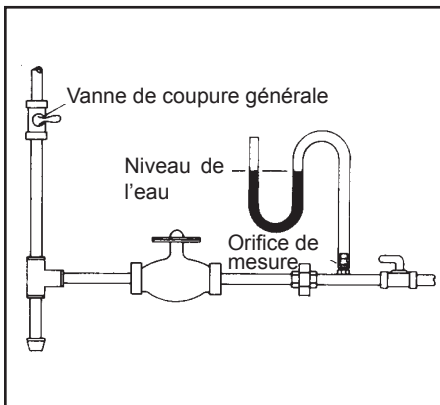
RACCORD RAPIDE



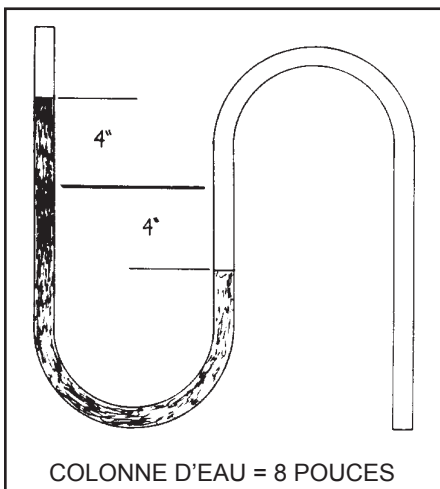
INSTALLATION

INSPECTION ET VÉRIFICATIONS:

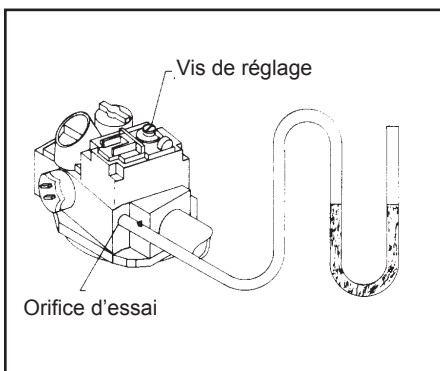
FABRICATION D'UN MANOMÈTRE



MESURE DE LA COLONNE D'EAU



RÉGLAGE DU DÉTENDEUR DE GAZ



1. S'assurer que le bâtiment n'est pas structurellement affaibli par l'installation de cet appareil et que la tuyauterie est solidement en place.
2. Vérifier la pression du gaz et s'assurer de l'absence de fuite.
 - a. S'assurer que tous les raccordements de gaz ont été faits et refermer la vanne de gaz située en amont de la vanne intégrée au laveur.
 - b. Immédiatement après l'ouverture de la vanne principale, appliquer de l'eau savonneuse sur toute la tuyauterie et tous les raccords afin de s'assurer qu'il n'y a pas de fuite de gaz. Les tuyaux et les raccords défectueux doivent être remplacés sur le champ.
 - c. Après s'être assuré qu'il n'y a aucune fuite au niveau du compteur et dans la tuyauterie, purger le système de l'air qu'il contient en retirant le bouchon de l'orifice d'essai et en évacuant le gaz dans un endroit bien aéré pour limiter les risques d'incendie.
 - d. Si un manomètre du commerce n'est pas disponible, en fabriquer un à l'aide d'un tube transparent à moitié rempli d'eau et replié en forme de U. La vanne principale étant fermée, visser un raccord de boyau dans l'orifice d'essai, y brancher le tube et marquer le niveau de l'eau.
 - e. Ouvrir la vanne principale. Observer le déplacement de l'eau dans le tube et mesurer la distance séparant le niveau supérieur du niveau inférieur. Cette distance ne doit pas dépasser 36 cm. Démarrer l'appareil et vérifier de nouveau la pression lorsque le brûleur est en marche. La pression du gaz doit être alors entre 7,5 et 18 cm (gaz naturel) ou entre 20 et 30 cm (propane liquide).
 - f. Refermer la vanne principale, retirer le raccord de l'orifice d'essai et replacer le bouchon.
 - g. À l'aide d'une clé hexagonale de 3/16 pouce, retirer le bouchon obturant l'orifice d'essai de la vanne de gaz intégrée au module de chauffage pour y brancher votre manomètre ou tube de mesure.
 - h. Ouvrir la vanne de coupure du gaz et la vanne du détendeur. Démarrer l'appareil pour allumer le brûleur et vérifier alors la pression au sein du distributeur. Celle-ci doit être entre 5 et 10 cm de colonne d'eau (gaz naturel) ou entre 22 et 24 cm (propane liquide).
 - i. Arrêter l'appareil et fermer la vanne de coupure du gaz, retirer le manomètre ou le tube de mesure et réinstaller le bouchon.
3. IL EST HABITUELLEMENT SUPERFLU d'ajuster le réglage du détendeur de la vanne de gaz, ce dernier étant préréglé en usine ; toutefois, si cela est nécessaire, suivre les instructions ci-dessous :
 - a. À l'aide d'une clé hexagonale de 3/16 pouce, retirer le bouchon obturant l'orifice d'essai de la vanne de gaz intégrée au module de chauffage pour y brancher votre manomètre ou tube de mesure.
 - b. Le brûleur étant allumé, ajuster la pression du gaz à l'aide d'un tournevis (en tournant dans le sens horaire pour l'augmenter, dans le sens opposé pour la diminuer).
 - c. Ceci terminé, arrêter l'appareil et fermer la vanne de coupure du gaz, replacer le capuchon de réglage, retirer le manomètre ou le tube de mesure et réinstaller le bouchon.

INSTALLATION

LISTE DE VERIFICATIONS AVANT LA MISE EN MARCHÉ:

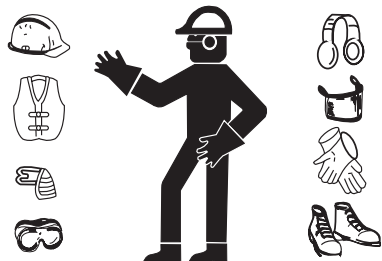
Avant la mise en marche de l'appareil, répondre aux questions de la liste ci-dessous :

QUESTIONS

CODES :	OUI	NON
1. L'alimentation électrique est-elle conforme aux codes en vigueur ?	___	___
2. L'alimentation en gaz est-elle conforme aux codes en vigueur ?	___	___
3. Le système de ventilation est-il conforme aux codes en vigueur ?	___	___
EMPLACEMENT :		
1. L'appareil est-il installé en intérieur sur un sol incombustible dans un endroit sec protégé de la pluie, de l'humidité et des vents excessifs ?	___	___
2. L'appareil est-il situé à l'écart de matériaux inflammables ou combustibles ?	___	___
3. L'appareil est-il installé dans un local ayant un volume suffisant pour assurer une aération correcte ?	___	___
CIRCUIT ÉLECTRIQUE :		
1. L'appareil est-il correctement mis à la terre ?	___	___
2. Tous les composants électriques satisfont-ils aux exigences stipulées sur la plaque signalétique de l'appareil (schéma n° 32) et la tension d'alimentation est-elle correcte ?	___	___
ALIMENTATION EN GAZ :		
1. L'appareil est-il alimenté en gaz correct (gaz naturel ou propane liquide) ?	___	___
2. L'alimentation en gaz répond-elle aux exigences de la puissance calorifique nominale (thermies) du brûleur ?	___	___
3. Un détendeur correct a-t-il été installé, fournissant la pression et le débit de gaz exigés par l'appareil ?	___	___
4. La tuyauterie de gaz a-t-elle la taille correcte et a-t-on vérifié qu'aucun raccord ne fuit ?	___	___
5. La vanne de gaz est-elle ouverte à fond ?	___	___
6. La pression d'alimentation en gaz est-elle de 7,5 - 18 cm (gaz naturel) ou de 20 - 30 cm (propane liquide) ?	___	___
7. Les réservoirs de propane (le cas échéant) ont-ils une contenance suffisante pour ne pas geler, étant donnée la puissance de l'appareil ?	___	___
VENTILATION :		
1. Utilise-t-on un conduit d'évacuation et un capot de tirage de la taille correcte ?	___	___
2. La ventilation est-elle suffisante pour assurer la combustion ?	___	___
3. L'appareil est-il suffisamment ventilé pour assurer un écoulement d'air adéquat ?	___	___
4. Le conduit d'évacuation débouche-t-il à l'atmosphère ?	___	___
INSTRUCTIONS GENERALES :		
1. Tous les opérateurs de cet appareils ont-ils lu le manuel d'installation et d'utilisation et bien compris les avertissement touchant à la sécurité ?	___	___
2. L'appareil a-t-il été installé par un personnel qualifié conformément aux instructions du manuel d'installation et d'utilisation ?	___	___
3. L'alimentation en eau est-elle suffisamment abondante ?	___	___

SI LA REPONSE A UNE QUELCONQUE DE CES QUESTIONS EST NON, REMEDIER A LA SITUATION AVANT DE METTRE L'APPAREIL EN MARCHÉ.

PREPARATION



TENUE DE TRAVAIL:

Pour des raisons de sécurité, une tenue appropriée est essentielle. Il est recommandé d'utiliser tous les moyens disponibles pour se protéger les yeux, les oreilles et la peau. Des équipements protecteurs additionnels (tels un respirateur) peuvent être requis lorsque des détergents de nettoyage sont utilisés avec ce module de chauffage.



DANGER

RISQUES D'EXPLOSION OU D'INCENDIE !

AVANT DE DÉMARRER L'APPAREIL, S'ASSURER QUE L'ON NE DÉCELE AUCUNE ODEUR DE GAZ. TOUJOURS RENIFLER AUX ALENTOURS DE L'APPAREIL. VEILLEZ ÉGALEMENT À RENIFLER À PROXIMITÉ DU SOL, CERTAINS GAZ ÉTANT PLUS LOURD QUE L'AIR ET AYANT TENDANCE À SE CONCENTRER PRÈS DU SOL.

SI L'ON SENT LE GAZ

- **NE PAS DÉMARRER L'APPAREIL.**
- **N'ACTIVER AUCUN INTERRUPTEUR ÉLECTRIQUE.**
- **N'ALLUMER AUCUN APPAREIL.**
- **N'UTILISER AUCUN TÉLÉPHONE DANS LE LOCAL SUSPECT.**
- **QUITTER LE LOCAL ET UTILISER LE TÉLÉPHONE D'UN AUTRE LOCAL POUR APPELER LA COMPAGNIE DU GAZ.**
- **SUIVRE LES INSTRUCTIONS FOURNIES PAR LA COMPAGNIE DU GAZ.**
- **S'IL EST IMPOSSIBLE DE JOINDRE LA COMPAGNIE DU GAZ, APPELER LES POMPIERS.**

AVANT LA MISE EN MARCHÉ:

1. Avant d'allumer l'appareil, renifler aux alentours de l'appareil pour détecter une présence éventuelle de gaz, tout spécialement au niveau du sol car certains gaz sont plus lourds que l'air et ont tendance à s'accumuler près du sol. Ne pas utiliser l'appareil si l'on décèle une odeur de gaz. Quitter le local et appeler un réparateur qualifié.
2. Vérifier que le voyant de mise sous tension.

INSPECTION DE SECURITE AVANT LA MISE EN MARCHÉ:

1. Avant de mettre l'appareil en marche, effectuer les opérations suivantes :
 - a. Renifler autour de l'appareil pour détecter une odeur de gaz éventuelle. Si l'on sent le gaz, **NE PAS DÉMARRER L'APPAREIL !** Se reporter aux avertissements en page 26 «Risques d'incendie ou d'explosion »
 - b. Vérifier le serrage de tous les raccords des tuyaux.
 - c. Vérifier qu'il n'y a pas de fuites d'eau ou d'huile.
 - d. S'assurer que les boyaux haute pression ne sont pas vrillés ou coupés et qu'ils ne fuient pas. Si l'on détecte une fuite ou une entaille, **NE PAS UTILISER LE BOYAU !** Le remplacer avant de démarrer l'appareil. Se reporter aux avertissement en page 29 « Risques d'injection ». Veiller à remplacer toutes les pièces endommagées et à corriger tout problème mécanique avant de démarrer l'appareil. Si un dépannage est nécessaire, appeler le service clients.

ATTENTION

LES PAGES SUIVANTES CONTIENNENT LES INSTRUCTIONS D'UTILISATION ET D'ENTRETIEN.

NE PAS UTILISER CE MODULE DE CHAUFFAGE TANT QUE L'ON A PAS LU ET BIEN COMPRIS TOUTES LES PRÉCAUTIONS ET CONSIGNES DE SÉCURITÉ CONTENUES DANS CE MANUEL. SUIVRE LES INSTRUCTIONS D'ENTRETIEN SPÉCIFIÉES DANS CE MANUEL.

UNE UTILISATION INCORRECTE DE CET APPAREIL RISQUE DE PROVOQUER DE GRAVES BLESSURES!!

NE MODIFIER CET APPAREIL EN AUCUNE FAÇON!

INSTRUCTIONS D'UTILISATION



MISE EN GARDE

RISQUES DE DÉGÂTS À L'APPAREIL! S'ASSURER QUE LE PISTOLET ET LA LANCE NE SONT PAS RACCORDÉS À L'APPAREIL DURANT LE RINÇAGE DU SYSTÈME. LE RINÇAGE PERMET D'ÉLIMINER DU SYSTÈME TOUS LES DÉPÔTS MINÉRAUX QUI RISQUENT D'OBSTRUER OU D'ENDOMMAGER LE PISTOLET ET LA BUSE ET D'ENTRAÎNER DES RÉPARATIONS CÔUTEUSES.

Une fois que l'appareil a été installé par un technicien qualifié et que l'on a effectué toutes les vérifications de LA LISTE DE VÉRIFICATIONS AVANT LA MISE EN MARCHE à la page 38, l'appareil est prêt à l'emploi. Les diverses opérations ci-dessous contribueront à assurer un fonctionnement sans danger de l'appareil.

RINÇAGE DU SYSTÈME:

1. Cet appareil comportant un serpentin d'acier, l'eau stagnant dans le serpentin après utilisation va à longue devenir marron ou noire. Cette eau doit être évacuée du système avant sa remise en marche. Cette procédure doit être effectuée sans que le pistolet et la lance soit installés.
 - a. Attacher le tuyau de jardin à l'appareil.
 - b. Ouvrir l'alimentation en eau.
 - c. Faire couler l'eau pendant 3-5 minutes.
 - d. Fermer l'alimentation en eau quand de l'eau claire sort du serpentin.



ATTENTION

RISQUES DE BRÛLURES! L'EAU RISQUE DE DEVENIR BRÛLANTE LORSQU'ON UTILISE L'APPAREIL AVEC DE L'EAU CHAUFFÉE. ÊTRE TRÈS PRUDENT DURANT LES RÉGLAGES DE PRESSION ET DURANT LA MANIPULATION DE L'ENSEMBLE PISTOLET/LANCE.

UTILISATION AVEC EAU CHAUDE:

1. Appuyer sur l'interrupteur du brûleur pour allumer le brûleur. Initialement, l'eau commencera à devenir chaude au bout de 60 secondes environ et elle atteindra sa température maximale en 3 minutes environ, sous réserve que l'on continue à appuyer sur la gâchette, vu que le brûleur s'éteint dès que l'on relâche la gâchette.
2. Régler le thermostat à la valeur souhaitée.

Arrivé là, l'appareil fonctionne comme module de chauffage à eau chaude. Faire preuve d'une extrême prudence durant les réglages de pression et durant la manipulation de l'ensemble pistolet/lance afin d'éviter des brûlures.



IMPORTANT

LORSQUE DE L'EAU FROIDE CIRCULE DANS L'ÉCHANGEUR DE CHALEUR ET QUE LE BRÛLEUR EST ALLUMÉ, DE LA CONDENSATION VA SE FORMER SUR LE SERPENTIN ET S'ÉGOUTTER. ON AURA L'IMPRESSIION QUE LE SERPENTIN FUIT, SURTOUT SI LE TEMPS EST FROID ET HUMIDE.

REMARQUE : pour des raisons de sécurité, le brûleur incorpore un dispositif de coupure automatique. Si la veilleuse ne parvient pas à s'allumer en 60 secondes, la vanne de gaz se ferme. Il suffit de relâcher la gâchette pendant 60 secondes et de recommencer. Durant la marche, le brûleur pourra s'éteindre et se rallumer en fonction du réglage du thermostat.

ARRÊT DE L'APPAREIL:

1. Si l'interrupteur du brûleur est toujours en position de marche, le mettre sur arrêt.
2. Presser sur la gâchette et éjecter de l'eau pendant 3 minutes afin de refroidir l'échangeur de chaleur et le boyau haute pression. (Une période de refroidissement trop courte du boyau haute pression va provoquer une usure excessive du boyau et à la longue son éclatement).
3. Fermer l'alimentation en eau allant au module de chauffage.
4. Presser brièvement la gâchette afin d'éliminer la pression résiduelle dans le système.

ENTRETIEN

ENTRETIEN PREVENTIF:

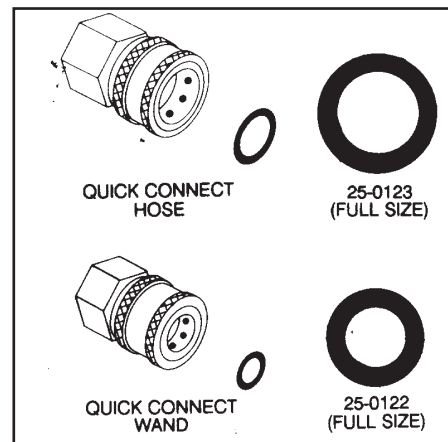
FUITES: Remédier sans délai à toute fuite dans le système de pompage en démontant les pièces suspectes, en appliquant un mastic d'étanchéité sur les filets et en réinstallant les pièces.

REMARQUE : Si l'on utilise un ruban de Téflon, veiller à ce qu'aucun morceau de ruban ne pénètre à l'intérieur du circuit car il risque de colmater la buse de pulvérisation.

RACCORDS RAPIDES: Ces raccords rapides contiennent un joint torique interne qui risque de se détériorer. Pour les remplacer, il suffit d'installer un nouveau joint, ce qui va éliminer les fuites. (Voir le schéma n° 16). Des joints toriques peuvent être achetés auprès de votre concessionnaire).

BUSE: Le passage de l'eau à travers la buse de pulvérisation va à la longue éroder l'orifice qui va s'élargir et provoquer une baisse de pression. Remplacer les buses dès que la pression tombe à moins de 85 % de la pression maximale. La fréquence de remplacement va dépendre de différents facteurs, tels la teneur de l'eau en sels minéraux et le nombre d'heure d'utilisation de la buse.

RACCORDS RAPIDES



HIVÉRISATION:

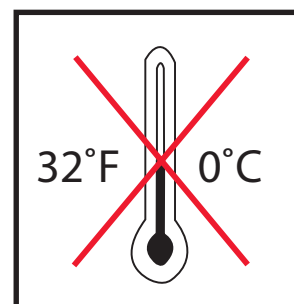
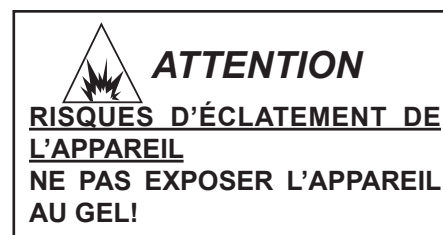
Il sera nécessaire d'hiverner cet appareil lors de son stockage ou son transport par temps de gel. Il est impératif de protéger cet appareil contre le gel pour les raisons suivantes:

1. Si toute partie du système de circulation d'eau venait à geler; un trop plein de pression pourrait s'accumuler dans l'appareil ce qui pourrait le faire exploser et blesser gravement son utilisateur ou les personnes qui se trouvent à proximité.
2. Le système de circulation d'eau de cet appareil peut être endommagé de façon permanente si il gèle. **LES DOMMAGES CAUSES PAR LE GEL NE SONT PAS COUVERTS PAR LA GARANTIE.**

Lorsqu'il est inévitable de stocker l'appareil dans un endroit exposé au gel (moins de 32°F), il est possible de le protéger en appliquant une des méthodes suivantes:

NETTOYAGE PAR SOUFFLAGE D'AIR:

1. Enlever la buse de l'ensemble de la lance. Appuyer sur la gâchette jusqu'à ce que l'eau cesse de s'écouler de l'ensemble de la lance.
2. Brancher le raccord du tuyau d'air sur la prise d'air du module de chauffage.
3. Faire passer de l'air comprimé à travers le système pour enlever toute l'eau du système.



ENTRETIEN

TABLEAU DE MAINTENANCE PRÉVENTIVE PAR L'OPÉRATEUR

Procédure	Quotidiennement
Absence de fuites de gaz	X
Absence de fuites d'eau	X
Inspection raccords rapides et boyaux	X

TABLEAU DE MAINTENANCE EFFECTUEE PAR LE CONCESSIONNAIRE

Procédure	Annuellement
Inspection de l'alimentation en gaz	X
Nettoyage des branches de condensation de la conduite de gaz	X
Inspection du brûleur	X
Inspection de l'évacuation	X
*Détartrage du serpentin	X
*L'entartrage va varier en fonction de la minéralisation de l'eau et de l'utilisation de l'appareil. Le détartrage peut être mensuel aussi bien qu'annuel.	

DEPANNAGE

SYMPTOME	CAUSE PROBABLE	SOLUTION
On sent une odeur de gaz aux environs de l'appareil avant la mise en marche.	Présence d'une fuite de gaz.	D'un autre local, appeler la compagnie du gaz pour obtenir les instructions nécessaires, ou à défaut de la compagnie du gaz, appeler les pompiers.
Le brûleur ne s'allume pas.	<p>L'interrupteur du brûleur n'est pas en position «ON ».</p> <p>La molette du thermostat est en position «OFF».</p> <p>La gâchette est en position fermée.</p> <p>Panne de l'interrupteur de pression ou de l'aspirateur.</p> <p>Verrouillage de sécurité de la vanne de gaz.</p> <p>Alimentation en gaz inadéquate.</p> <p>Bouchage de la conduite de gaz.</p> <p>Défaillance du module d'allumage.</p> <p>Défaillance de la vanne de gaz.</p>	<p>Vérifier la position de l'interrupteur.</p> <p>Vérifier la position de la molette du thermostat.</p> <p>Presser sur la gâchette du pistolet.</p> <p>Réparer ou remplacer.</p> <p>Relâcher la gâchette du pistolet ou placer l'interrupteur du brûleur en position « OFF » (arrêt) pendant 60 secondes.</p> <p>Vérifier l'alimentation en gaz.</p> <p>Vérifier la pression du gaz.</p> <p>Remplacer le module.</p> <p>Remplacer la vanne.</p>
De l'eau fuit sous le serpentin de l'échangeur de chaleur.	<p>Condensation.</p> <p>Fissure du serpentin de l'échangeur de chaleur.</p>	<p>Peut se produire lors de conditions froides et humides.(Voir la page 40, encadré « IMPORTANT »).</p> <p>Remplacer le serpentin.</p>

CONDITIONS DE GARANTIE APPLICABLES À TOUS LES MODULES DE CHAUFFAGE À EAU CHAUDE MODÈLES HGM ALIMENTÉS AU GAZ NATUREL ET AU PROPANE LIQUIDE.

Le fabricant garantit toutes les pièces (hormis les pièces indiquées ci-dessous) de votre module de chauffage contre tout défaut de matériau ou de main d'oeuvre pendant les périodes suivantes:

Pendant cinq (5) ans à compter de la date d'achat initial :
le serpentin de l'échangeur de chaleur

Pendant deux (2) ans à compter de la date d'achat initial :
les écrans et dispositifs de protection le châssis
la tuyauterie les poulies

Pendant un (1) an à compter de la date d'achat initial :
la vanne de gaz le thermostat réglable
la commande d'allumage le transformateur du circuit de commande

Pendant quatre-vingt dix (90) jours à compter de la date d'achat initial :
Fluxostat (contrôleur de débit d'eau) Thermostat Haute Limite
Assemblage d'allumage

Pendant trente (30) jours à compter de la date d'achat initial :
le boyau haute pression les filtres

Les pièces défectueuses, si elles ne sont pas normalement sujettes à usure, seront réparées ou remplacées à notre choix durant la période de garantie. Dans tous les cas, le remboursement sera limité au prix d'achat de la pièce en question.

EXCLUSIONS

1. Cette garantie ne couvre pas les dommages résultant d'une usure normale, d'une utilisation incorrecte ou abusive, à des vitesses, des pressions et des températures autres que celles recommandées. Les pièces endommagées ou usées par suite de l'utilisation de liquides caustiques ou d'un fonctionnement dans un environnement abrasif ou corrosif ou dans des conditions entraînant une cavitation de la pompe ne sont pas garanties. L'inobservation des procédures d'exploitation et d'entretien recommandées annule également la garantie.
2. L'utilisation de pièces autres que d'authentiques pièces de rechange annulera la garantie. Les pièces retournées à notre usine ou à un centre de réparation agréé seront inspectées et remplacées gratuitement si elles s'avèrent être défectueuses et couvertes par la garantie. Aucune garantie ne sera étendue au-delà de termes stipulés sur le présent document. Le fabricant ne pourra en aucun cas être tenu responsable du manque à gagner dû à la non utilisation de l'appareil, au temps perdu ou à la perte de locations, des dérangements causés, des pertes commerciales ou des dommages indirects.

TABLA DE CONTENIDO

INTRODUCCIÓN	47
ADVERTENCIAS DE SEGURIDAD IMPORTANTES	48-53
RIESGO DE EXPLOSIÓN O INCENDIO	48
RIESGO DE ASFIXIA	49
RIESGO DE ELECTROCUCIÓN O CHOQUE ELÉCTRICO	50
RIESGO DE INYECCIÓN O LESIÓN SEVERA POR CORTADURA	51
RIESGO DE QUEMADURAS	52
RIESGO DE EXPLOSIÓN	52
RIESGO POR PIEZAS EN MOVIMIENTO	52
RIESGO DE LESIÓN CORPORAL	53
UBICACIÓN DE LA MÁQUINA	54-59
UBICACION DE LA UNIDAD	54
INSTALACIÓN ELÉCTRICA	54
TUBERÍA DE GAS	55
VENTILACIÓN	56
SUMINISTRO DE AGUA	57
CONEXIÓN DE ALTA PRESIÓN	57
INSPECCIÓN Y VERIFICACIÓN DE CONDICIONES	58
LISTA DE VERIFICACIÓN PREOPERATIVA	59
PREPARACIÓN	60
VESTIMENTA	60
PRE-ENCENDIDO	60
INSPECCIÓN DE SEGURIDAD ANTES DEL ENCENDIDO	60
INSTRUCCIONES DE OPERACIÓN	62
ENJUAGUE DEL SISTEMA	62
OPERACIÓN CON AGUA CALIENTE	62
APAGADO	62
MANTENIMIENTO	63-64
TABLAS DE MANTENIMIENTO	64
DIAGNÓSTICO Y SOLUCIÓN DE FALLAS	65
NOTE	66
INFORME DE GARANTÍA	67

CÓDIGOS NACIONALES:

CÓDIGO NACIONAL DE GAS COMBUSTIBLE ANSI Z223.1 (NFPA NO. 54)

CÓDIGO NACIONAL ELÉCTRICO NFPA NO. 70 (NEC)

CÓDIGO DE INSTALACIÓN DE GAS-NUMERO CSA B149.1

CÓDIGO CANADIENSE ELÉCTRICO PARTE 1 - NUMERO CSA C22.1

WARNING

ADVERTENCIA: Este producto tiene plomo, una sustancia química conocida al Estado de California a causar cáncer y defectos de nacimiento u otro daño reproductivo.

Lávese las manos después de usar este producto.

ADVERTENCIA

Este producto contiene química conocida por el estado de California a causar cancer, defectos de nacimiento, y otros peligros reproductor.

INTRODUCCIÓN

Felicitaciones por haber adquirido su nueva módulo de calentador de la SERIE HGM. Puede estar seguro de que su módulo de calentador fue construida y diseñada pensando en la calidad y la eficacia de funcionamiento. Cada componente ha sido probado rigurosamente para asegurar el nivel más alto de confiabilidad.

Este manual del operador fue preparado para su beneficio. Si lee y sigue los sencillos pasos de seguridad, instalación, operación y mantenimiento, así como de diagnóstico y solución de fallas que se describen en este manual, su nueva módulo de calentador le ofrecerá muchos años de operación sin problemas. El contenido de este manual se basa en la información más reciente del producto, disponible al momento de la publicación. Manufacturar se reserva el derecho de hacer cambios de precio, color, materiales, equipo, especificaciones o modelos en cualquier momento sin previo aviso.

¡IMPORTANTE!

Estos párrafos están rodeados por un “CUADRO DE AVISO DE SEGURIDAD”. Este cuadro se usa para especificar y enfatizar las advertencias de seguridad que se deberán cumplir al operar esta lavadora a presión. Junto con las Advertencias de Seguridad se encuentran “palabras clave” que designan el grado o nivel de riesgo. Las “palabras clave” usadas en este manual son las siguientes:

PELIGRO: Indica una situación inminentemente peligrosa que, de no evitarse, **CAUSARÁ lesiones graves o fatales.**



ADVERTENCIA: Indica una situación potencialmente peligrosa que, de no evitarse, **PODRÍA causar lesiones graves o fatales.**



PRECAUCIÓN: Indica una situación potencialmente peligrosa que, de no evitarse, **PODRÍA causar una lesión menor o moderada.**



Los símbolos a la izquierda de este párrafo son “símbolos de aviso de seguridad”. Estos símbolos se usan para señalar puntos o procedimientos que podrían ser peligrosos para usted o para otras personas que usen este equipo.



Siempre proporcione una copia de este manual a quien use este equipo, lea todas las instrucciones antes de operar esta lavadora a presión y especialmente señale las “advertencias de seguridad” para prevenir posibles lesiones al operador.

Una vez que haya sacado la unidad de su caja, anote inmediatamente el número de serie en el espacio proporcionado a continuación.

Número de serie: _____


Debe inspeccionar el equipo para determinar si hay señales de daño evidente u oculto ocurrido durante la transportación. Si se encuentra algún daño, presente una queja con la compañía de transportación inmediatamente. Asegúrese de que todas las partes dañadas sean reemplazadas y que los problemas mecánicos y eléctricos sean corregidos antes de operar la unidad. Si requiere de servicio, llame a la oficina de servicio a cliente.

Por favor, prepare la siguiente información cada vez que efectúe una llamada de servicio:

1. Número de modelo
2. Número de serie
3. Fecha y lugar de compra


ADVERTENCIAS DE SEGURIDAD

LEA TODAS LAS ADVERTENCIAS DE SEGURIDAD ANTES DE INSTALAR Y USAR DE MÓDULO DE CALENTADOR

PELIGRO	POSIBLE CONSECUENCIA	PREVENCIÓN
RIESGO DE ASFIXIA 	Puede haber riesgo de lesiones graves o fatales a causa de la inhalación del gas de escape del quemador o ciertos vapores peligrosos..	<p>Para la instalación de esta unidad, e inclusive para la ventilación de los gases de combustión debe cumplirse con todos los códigos y reglamentos locales, estatales y nacionales (las normas que deben seguirse incluyen el código nacional de gas combustible de ANSI Z223.1/NFPA No.54. En Canada; Refiera al código de instalación de gas en numero CSA B149.1).</p> <p>Siempre asegúrese que la ventilación sea adecuada (aire puro del exterior) para respiración y combustión. Esto evitará la acumulación de gases peligrosos como monóxido de carbono. Tenga cuidado en áreas de ventilación escasa, o áreas con ventiladores de extracción que no realicen intercambio de aire adecuado.</p> <p>Si hay olor de gas, parar el suministro de gas al aparato, extinguir algunas llamas abiertas, y examinar todas conexiones con un solución de jabón. Si el olor continua, llamar su proveedor de gas inmediatamente.</p> <p>Siga todas las instrucciones de seguridad que se proporcionan con los materiales que va a rociar. Puede requerirse el uso de un respirador cuando se trabaja con ciertos materiales. No use esta módulo de calentador para rociar materiales peligrosos.</p>

ADVERTENCIAS DE SEGURIDAD

LEA TODAS LAS ADVERTENCIAS DE SEGURIDAD ANTES DE INSTALAR Y USAR DE MÓDULO DE CALENTADOR

PELIGRO	POSIBLE CONSECUENCIA	PREVENCIÓN
<p style="text-align: center;">RIESGO DE ELECTROCUCIÓN O CHOQUE ELÉCTRICO</p> <div style="text-align: center;">  </div>	<p>Hay riesgo de lesiones graves o fatales si la instalación no es adecuada.</p> <p>Pueden sufrirse lesiones graves o fatales si la este módulo de calentador no está correctamente conectada a tierra. Si este módulo de calentador tiene alimentación de electricidad y puede causar choques eléctricos o electrocución si no se usa correctamente.</p> <p>Puede sufrirse choque eléctrico si la este módulo de calentador no se opera correctamente.</p> <p>Puede sufrirse una lesión grave o fatal si se hace contacto con el circuito eléctrico.</p> <p>Puede sufrirse una lesión grave o fatal si se intenta hacer una reparación eléctrica sin haber recibido la capacitación necesaria.</p>	<p>Para la instalación de esta unidad, inclusive de las conexiones eléctricas, deben cumplirse todos los códigos y reglamentos locales, estatales y nacionales (las normas que deben cumplirse incluyen NFPA No.70/NEC del código nacional eléctrico. En Canada; Refiera al código canadiense eléctrico partel - numero CSA C22.1).</p> <p>Esta unidad tiene que conectar a un sistema permanente de eléctrica de la tierra o un conductor del equipo de la tierra tiene que funcionar con los conductores de circuito y conectar al principal del equipo de la tierra en la unidad.</p> <p>Asegúrese que la este módulo de calentador esté conectada a una fuente con toma de tierra adecuada, que proporcione el voltaje correcto y tenga la protección adecuada de fusible. Desconecte de la fuente de energía cuando no use el aparato y cuando haga reparaciones.</p> <p>No intente encender el piloto manualmente, ya que tiene un sistema electrónico de chispa para encender automáticamente el piloto.</p> <p>Nunca opere la este módulo de calentador con sus compartimentos abiertos o con tapas quitadas o dañadas.</p> <p>No toque la máquina cuando esté parado en piso mojado o con las manos mojadas. Nunca permita que la fuente de alimentación eléctrica o las conexiones hagan contacto con el agua.</p> <p>No rocíe directamente sobre instalaciones eléctricas. Esto incluye contactos eléctricos, bombillas, cajas de fusibles, transformadores y la unidad misma.</p> <p>No permita que los componentes metálicos de la este módulo de calentador hagan contacto con componentes eléctricos vivos.</p> <p>Cualquier cableado o reparación del sistema eléctrico debe realizarlo un técnico de servicio autorizado y de acuerdo con los códigos eléctricos locales y nacionales.</p> <p>Antes de abrir un gabinete eléctrico, siempre apague la este módulo de calentador, libere la presión y desconecte la lavadora de la fuente de alimentación. Permita que la este módulo de calentador se enfríe. Nunca suponga que la este módulo de calentador es segura, solamente porque no está en operación. Podría encenderse en cualquier momento.</p>




ADVERTENCIAS DE SEGURIDAD

LEA TODAS LAS ADVERTENCIAS DE SEGURIDAD ANTES DE INSTALAR Y USAR DE MÓDULO DE CALENTA-

PELIGRO	POSIBLE CONSECUENCIA	PREVENCIÓN
<p>RIESGO DE INYECCIÓN O LESIÓN SEVERA POR CORTADURA GRAVE</p> 	<p>Hay riesgo de una lesión grave o fatal por penetración de la piel al rociar líquido a alta presión.</p>	<p>Manténgase apartado de la boquilla y del líquido rociado. Nunca ponga la mano, los dedos o el cuerpo directamente enfrente de la boquilla de rocío.</p> <p>Nunca apunte la descarga de alta presión hacia su cuerpo o hacia otra persona.</p> <p>Este producto debe ser usado solamente por operadores capacitados.</p> <p>Siempre mantenga el área de operación despejada de personas.</p> <p>Para reducir el riesgo de lesiones graves, es necesario para tener supervisión bueno cuando usando este equipo cerca de niños. No permita que algún niño opere esta unidad.</p> <p>CONSIGA ATENCIÓN MÉDICA INMEDIATA si el rocío parece haber penetrado la piel. NO TRATE LA HERIDA COMO UNA SIMPLE CORTADURA. Prepárese para explicar al médico exactamente qué tipo de agentes limpiadores está usando, leyendo la hoja de especificaciones de seguridad del material (MSDS) que viene con su detergente.</p> <p>Las mangueras de alta presión deben ser inspeccionadas diariamente para detectar señales de desgaste. Si existe riesgo de roturas, reemplace todas las mangueras sospechosas para prevenir lesiones causadas por el rocío a alta presión. Si una manguera o conector tiene fuga, NUNCA PONGA LA MANO DIRECTAMENTE SOBRE LA FUGA.</p> <p>Antes de usar la este módulo de calentador, o cuando use conectores rápidos para las mangueras y boquillas de alta presión, asegúrese que el "collar" de la conexión hembra esté firmemente trabado para prevenir una descarga accidental, y asegúrese que todos los conectores estén bien trabados.</p> <p>NUNCA opere la pistola con el gatillo fijado en la posición abierta. Para prevenir una descarga accidental la pistola debe estar trabada firmemente cuando no se use.</p>


ADVERTENCIAS DE SEGURIDAD

LEA TODAS LAS ADVERTENCIAS DE SEGURIDAD ANTES DE INSTALAR Y USAR DE MÓDULO DE CALENTADOR

PELIGRO	POSIBLE CONSECUENCIA	PREVENCIÓN
<p style="text-align: center;">RIESGO DE QUEMADURAS</p> 	<p>Pueden sufrirse lesiones graves si se toca el intercambiador de calor o la tubería de escape. Estas áreas pueden permanecer calientes por algún tiempo después de haber apagado la este módulo de calentador.</p>	<p>Nunca permita que alguna parte del cuerpo haga contacto con el intercambiador de calor o la tubería de escape.</p>
<p style="text-align: center;">RIESGO DE EXPLOSIÓN</p> 	<p>Pueden sufrirse lesiones graves a causa de mal funcionamiento de la este módulo de calentador o explosión de accesorios si se usan componentes, aditamentos o accesorios incorrectos.</p> <p>Pueden sufrirse lesiones graves o fatales si se intenta encender la lavadora a presión cuando se encuentra congelada.</p>	<p>Si el quemador no se apaga, cierre la válvula de suministro de gas y llame al técnico de servicio.</p> <p>Nunca se exceda de las presiones máximas permitidas por los fabricantes de los aditamentos.</p> <p>Nunca permita que las mangueras hagan contacto con el intercambiador de calor, para prevenir la posibilidad de que revienten. No arrastre las mangueras sobre superficies abrasivas como el cemento.</p> <p>Use solamente repuestos recomendados por el fabricante para su este módulo de calentador.</p> <p>En temperaturas de congelación, la unidad debe estar suficientemente caliente para prevenir que se forme hielo en el interior. No encienda la este módulo de calentador sin antes permitir que se descongele completamente.</p>
<p style="text-align: center;">RIESGO POR PARTES EN MOVIMIENTO</p> 	<p>Pueden sufrirse lesiones graves si el operador hace contacto con piezas en movimiento de la este módulo de calentador.</p>	<p>No opere la unidad sin sus tapas protectoras ni haga ajustes sin apagar la lavadora, liberar la presión y desconectarla de la fuente de alimentación. Permita que la lavadora se enfríe. Nunca suponga que la este módulo de calentador es segura, solamente porque no está en operación. Podría encenderse en cualquier momento.</p>

ADVERTENCIAS DE SEGURIDAD

LEA TODAS LAS ADVERTENCIAS DE SEGURIDAD ANTES DE INSTALAR Y USAR DE MÓDULO DE CALENTADOR


PELIGRO	POSIBLE CONSECUENCIA	PREVENCIÓN
<p style="text-align: center;">RIESGO DE LESIONES</p> 	<p>Pueden sufrirse lesiones graves o fatales cuando los detergentes hacen contacto con la piel o la penetran.</p> <p>Pueden sufrirse lesiones graves a causa de residuos lanzados a alta velocidad por la pistola de rocío.</p> <p>Pueden sufrirse lesiones si el operador pierde el equilibrio a causa del chorro de agua que sale de la boquilla de rocío.</p> <p>Pueden sufrirse lesiones causadas por la este módulo de calentador.</p>	<p>CONSIGA ATENCIÓN MÉDICA DE EMERGENCIA si el rocío parece haber penetrado la piel. NO TRATE LA HERIDA COMO UNA SIMPLE CORTADURA. Prepárese para explicar al médico exactamente qué tipo de agentes limpiadores estaba usando, leyendo la hoja de especificaciones de seguridad del material (MSDS) proporcionada con su detergente.</p> <p>Nunca use solventes o detergentes altamente corrosivos o limpiadores ácidos con esta módulo de calentador.</p> <p>Se recomienda usar equipo de protección como trajes de goma, guantes y respiradores, especialmente cuando se usan detergentes limpiadores.</p> <p>Mantenga todos los detergentes fuera del alcance de los niños.</p> <p>SIEMPRE use gafas protectoras cuando opere la unidad para proteger sus ojos de residuos y detergentes lanzados al aire.</p> <p>NO dirija el rocío hacia materiales frágiles como cristal porque los podría quebrar.</p> <p>Manténgase alerta y observe lo que hace. No opere la unidad cuando esté cansado o esté bajo la influencia de alcohol o drogas.</p> <p>NUNCA apriete el gatillo sin antes estar bien apoyado.</p> <p>NO se extienda demasiado ni se pare sobre un soporte inestable.</p> <p>Las superficies mojadas pueden ser resbalosas, por lo tanto debe usar calzado resistente y mantener una buena posición y equilibrio en todo momento.</p> <p>NUNCA apriete el gatillo mientras esté parado en una escalera o en un techo.</p> <p>SIEMPRE sostenga firmemente la pistola y varilla cuando encienda y cuando opere la unidad. Si no lo hace, puede caerse la varilla y moverse peligrosamente como un látigo. Debe saber cómo parar la lavadora a presión y cómo liberar la presión rápidamente. Familiarícese bien con los controles.</p> <p>NO deje la unidad a alta presión cuando se aparte. Apague la lavadora y libere la presión antes de apartarse.</p> <p>NO opere la unidad si hay aceite o agua que se ha fugado de la máquina. NO reanude la operación sin que antes la haya inspeccionado y reparado un técnico capacitado de servicio.</p> <p>Nunca haga ajustes en la máquina mientras esté en operación.</p>



¡CONSERVE ESTAS INSTRUCCIONES!




INSTALACIÓN

 **PELIGRO**

¡RIESGO DE EXPLOSIÓN O INCENDIO!
NO PONGA LA UNIDAD EN LUGARES DONDE PUEDAN EXISTIR GASES O VAPORES INFLAMABLES. ¡UNA CHISPA PODRÍA CAUSAR UNA EXPLOSIÓN O UN INCENDIO!


¡RIESGO DE ESTALLIDO DE LA UNIDAD!
¡NO PONGA LA UNIDAD EN LUGARES DONDE PUEDA CONGELARSE!

 **ADVERTENCIA**

¡RIESGO DE ASFIXIA!
¡USE ESTE PRODUCTO SOLAMENTE EN ÁREAS BIEN VENTILADAS! EL GAS QUE ESCAPA CONTIENE MONÓXIDO DE CARBONO, UN GAS VENENOSO, INODORO E INVISIBLE. LA RESPIRACIÓN DE ESTE GAS PUEDE CAUSAR LESIONES, ENFERMEDAD Y POSIBLEMENTE LA MUERTE.

LUBICACIÓN DE LA UNIDAD:

1. Esta unidad debe instalarla en interiores un técnico capacitado. Debe ser un ambiente sin riesgo de congelación y seco, apartado de viento y lluvia. Si alguna parte de la unidad se congela, la presión excesiva resultante podría causar un estallido y posibles lesiones graves al operador o a las personas que se encuentren cerca. Deben tomarse las precauciones normales para que la humedad no llegue a los controles eléctricos de la unidad de potencia.
2. Debe colocarse apartada de materiales inflamables o combustibles. Estos tipos de materiales deben mantenerse por lo menos a 20 pies de las unidades que consuman gas como combustible.
3. No la ponga en áreas pequeñas o en áreas que tengan ventiladores de extracción. La combustión se dificulta y se puede acumular monóxido de carbono en estas áreas. Deje suficiente espacio libre para el servicio. En algunos códigos pueden requerirse ciertas distancias a la pared y al piso. Dos pies de separación hasta la pared pueden ser suficientes.
4. Esta unidad debe colocarse sobre un piso nivelado. NUNCA rocíe agua directamente hacia la unidad.
5. NO COLOQUE LA UNIDAD en un área:
 - a. que pueda tener gases o vapores inflamables.
 - b. que tenga ventilación insuficiente.
 - c. donde existan fugas de aceite o combustible.

 **ADVERTENCIA**

¡RIESGO DE ELECTROCUCIÓN!
ESTA UNIDAD DEBE CONECTARSE A UNA TOMA DE CORRIENTE CON CONEXIÓN A TIERRA ADECUADA.

INSTALACIÓN ELÉCTRICA:

1. Un técnico capacitado de servicio debe realizar la instalación de esta unidad y toda la instalación eléctrica debe cumplir con los códigos y reglamentos locales, estatales y nacionales, incluyendo el NFPA No. 70 del código eléctrico nacional (NEC). En Canada; Refiera al código canadiense eléctrico parte 1 - numero CSA C22.1.
2. Debe asegurarse que la alimentación eléctrica tiene las especificaciones de la placa de su este módulo de calentador.
3. Asegúrese que todas las conexiones queden firmes y vuelva a poner todas las tapas.

INSTALACIÓN

TUBERÍA DE GAS:

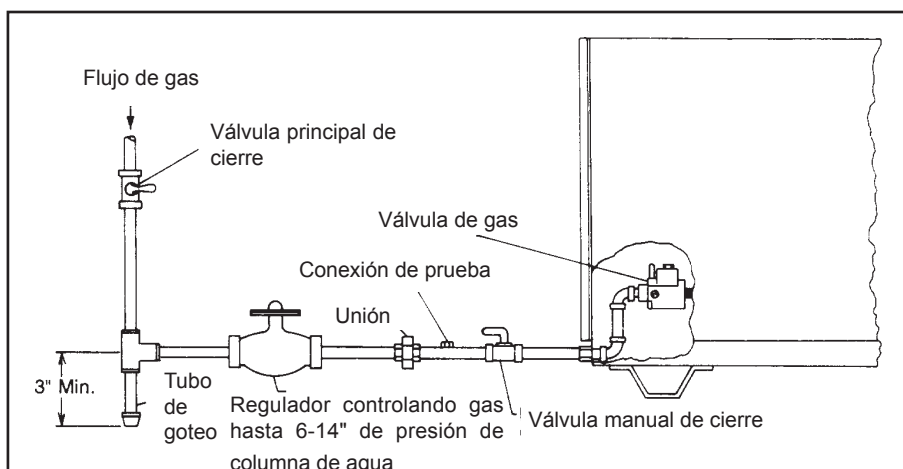
1. La instalación de esta unidad debe realizarla un técnico capacitado y toda la tubería de gas debe cumplir con los códigos y reglamentos locales, estatales y nacionales, incluyendo el código nacional de gas combustible ANSI Z223.1/NFPA No.54. En Canada; Refiera al código de instalación de gas - numero CSA B149.1.
2. Cierre la alimentación de gas y desconecte la electricidad antes de iniciar la instalación o el servicio.
3. La línea de gas al quemador debe ser un suministro separado del medidor debido a la demanda del quemador. Use tubería nueva y acomódela pensando siempre en facilitar el servicio futuro. Use solamente tubo negro o tubo adecuado para instalaciones de gas y asegúrese que esté libre de rebabas de corte y defectos. Use compuesto para juntas (no use cinta de teflón) solamente en conectores macho, dejando limpios los primeros dos hilos de la rosca. NO use compuesto en conectores hembra donde pueda entrar a la línea y causar falla de la válvula de gas.

TAMAÑOS RECOMENDADOS DE TUBERÍA PARA ALIMENTACIÓN DE GAS

<u>GAS NATURAL</u>		<u>GAS LÍQUIDO</u>	
DISTANCIA DEL REGULADOR A LA UNIDAD	TAMAÑO DE TUBO	DISTANCIA DEL REGULADOR A LA UNIDAD	TAMAÑO DE TUBO
0 - 50 Pies	1-1/2" 1PS	0-50 Pies	1"1PS
50 - 100 Pies	2" 1 PS	50 - 100 Pies	1 - 1/2" 1PS
100 - 200 Pies	2 - 1/2" 1PS	100 -200 Pies	1 - 3/4" 1PS

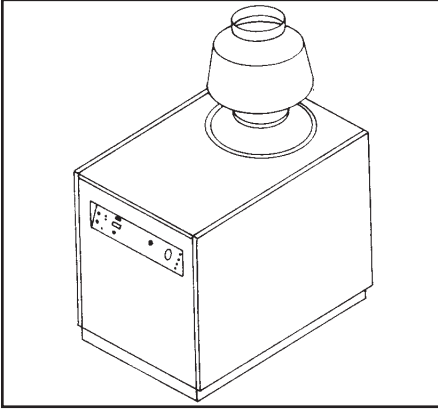
4. Instale una válvula manual principal de cierre en la línea de gas, entre el medidor o regulador y la máquina.
5. Más adelante en la línea, después de la válvula principal de cierre, debe instalarse una T y un tubo de goteo para atrapar residuos y humedad. Este tubo de goteo debe tener un tapón.
6. Debe instalarse un niple y regulador de gas en la conexión de T. Este regulador debe controlar la presión de gas hasta un nivel bajo de 3"-12" de presión de columna de agua
7. En el otro lado del regulador, debe instalarse otro niple de 4" y una unión.
8. Después de la unión y antes de la válvula de gas en la unidad, debe instalarse una válvula manual de cierre con un tubo NPT de 1/8" accesible para una conexión de manómetro de prueba entre la válvula y la unión.

TUBERÍA DE SUMINISTRO DE GAS

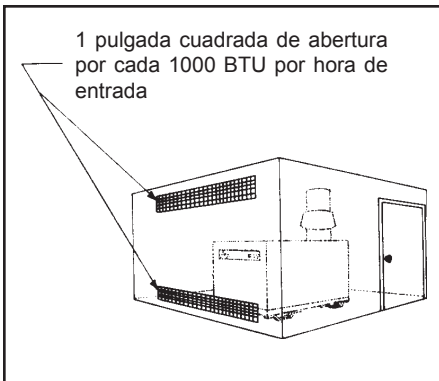


INSTALACIÓN

CAMPANA DE ESCAPE



VENTILACIÓN DE UN CUARTO CERRADO



VENTILACIÓN:

1. La instalación de esta unidad en interiores o en áreas cerradas debe ser realizada por un técnico capacitado y todos los medios de ventilación deben cumplir con todos los códigos o reglamentos locales, estatales y nacionales, incluyendo el código nacional de gas combustible ANSI Z223.1/NFPA No.54. En Canada; Refiera al código de instalación de gas - numero CSA B149.1. El escape del quemador debe tener un tubo que conduzca los gases a la atmósfera exterior y se debe instalar también una barrera contra vientos.

NOTA: No debe haber más de 6500 BTU por cada pulgada cuadrada de escape.

2. Debe instalarse una barrera contra viento arriba de la salida de escape. Esta barrera anula el efecto de chimenea y mejora el flujo del aire a través del quemador para tener una llama más eficiente. También ayuda a prevenir que los vientos fríos congelen el intercambiador de calor.
3. Instale el tubo del tamaño recomendado locales, estatales y nacionales, incluyendo el código nacional de gas combustible ANSI Z223.1/NFPA No.54. En Canada; Refiera al código de instalación de gas - numero CSA B149.1. Si el tubo de escape excede de 10 pies o tiene más de dos codos, el tiro natural se elimina y el quemador no encenderá. No instale una compuerta reguladora móvil en el tubo.
4. Si se instala la unidad en una habitación cerrada, proporcione aire adecuado para combustión instalando aberturas cerca del techo para escape y cerca del piso para aire de combustión. Estas aberturas deben ser calculadas en base a una pulgada cuadrada por cada 1000 BTU por hora de la máquina.

Ejemplo: Una este módulo de calentador con 400,000 BTU de entrada requiere aberturas de 400 pulgadas cuadradas o aproximadamente 3 pies x 1 pie.

5. Si el edificio en el que se instala la unidad parece muy hermético, se recomienda instalar entradas de aire extendidas hasta el exterior del edificio para tener buen suministro de aire de combustión. Los tubos de estas entradas deben terminar en una abertura o codo hacia abajo para protegerlos de nieve y lluvia. Debe ponerse también una malla con orificios no menores de 1/4" a la entrada del tubo.

INSTALACIÓN

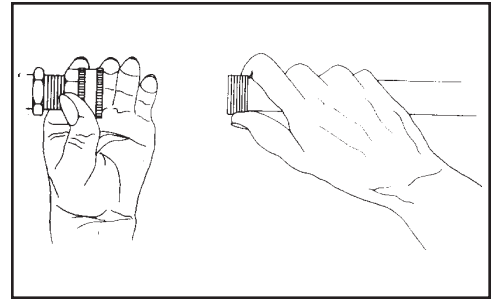
SUMINISTRO DE AGUA:

1. Usando la conexión rápida en la entrada de la unidad, conecte el suministro de agua a la unidad. Para los resultados mejores, la entrada a la unidad debe ser 3-6 GPM.

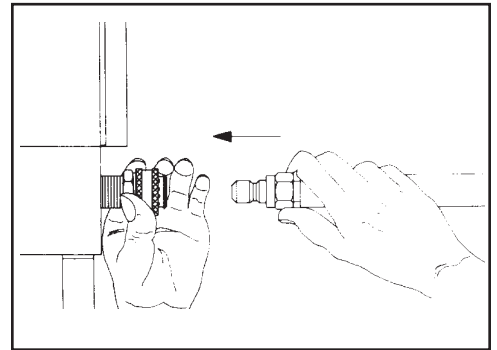
NOTA: Presión de agua entrante no sobrepase 3500 PSI

2. Conecte la manguera de descarga que ha provechado a salida de unidad.
3. Conecte pistola / varilla / asamblea de lanza a manguera de descarga. Asegúrese que todas conexiones sean seguras antes de encendido.

CONEXIÓN DE LA MANGUERA



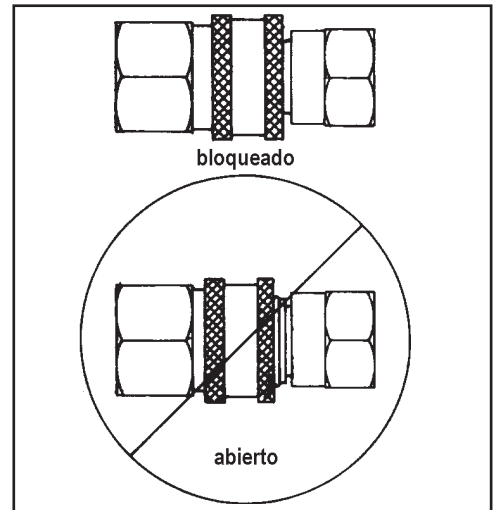
CONEXIÓN DE MANGUERA DE ALTA PRESIÓN



CONEXIÓN DE ALTA PRESIÓN:

Conecte la manguera de descarga de alta presión uniéndolo un extremo a la lavadora y el otro a la pistola. Asegúrese que los conectores rápidos estén firmemente trabados.

CONECTOR RÁPIDO

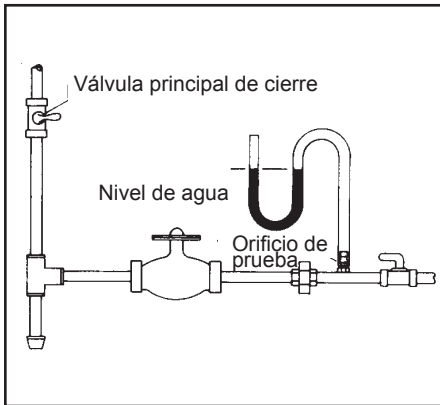


INSTALACIÓN

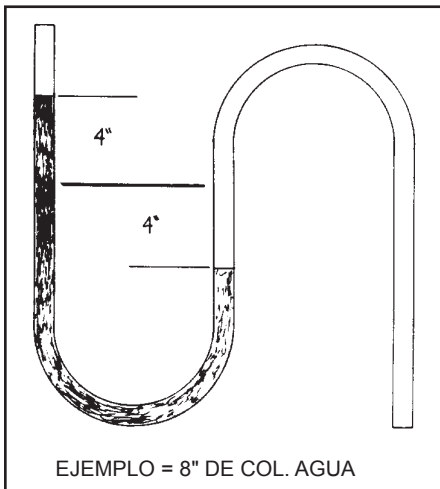
INSPECCIÓN Y VERIFICACIÓN DE CONDICIONES:

1. Asegúrese que no se debilita la construcción del edificio al instalar esta unidad y asegúrese que la tubería quede bien sujeta.

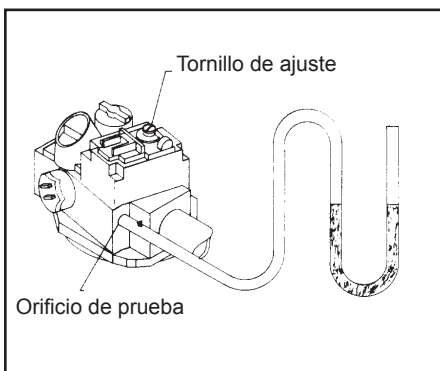
CÓMO HACER UN MANÓMETRO



MEDICIÓN DE LA COLUMNA DE AGUA



AJUSTE DEL REGULADOR DE GAS



2. Verifique la presión del gas y revise la tubería para detectar fugas.

a. Asegúrese que todas las conexiones de gas se han hecho y cierre la válvula antes de la válvula de gas en la máquina.

b. Inmediatamente después de abrir la válvula principal, recubra con agua jabonosa toda la tubería y las conexiones para verificar si hay fugas de gas. Deben reemplazarse inmediatamente los tubos y conectores defectuosos.

c. Después de revisar el medidor y la tubería para detectar fugas, purgue el aire del sistema quitando el tapón del orificio de prueba y drenando la línea en un área bien ventilada para protegerse contra un riesgo potencial de incendio.

d. Si no tiene disponible un manómetro comercial, haga uno con un tubo transparente en forma de U y llénelo hasta la mitad con agua. Con la válvula principal de gas cerrada, ponga un conector de manguera en el orificio de prueba, conecte la manguera y marque el nivel de agua como se muestra en la figura.

e. Abra la válvula principal de gas y verifique el nivel de la columna de agua midiendo la distancia que subieron y bajaron los dos niveles de agua a partir del punto inicial. Esto no debe exceder de 14" de columna de agua. Encienda la unidad y verifique la presión con el quemador encendido. La presión de gas en ese punto debe ser de 3"-7" de columna de agua para gas natural y 8"-12" de columna de agua para propano líquido.

f. Cierre la válvula principal de gas, quite el conector de manguera y vuelva a poner el tapón.

g. Con una llave de tuercas hexagonales de 3/16" quite el tapón del orificio de prueba en la válvula de gas del interior de la lavadora y conecte su manómetro o tubo de prueba.

h. Abra la válvula principal de gas y la válvula reguladora. Opere la unidad con el quemador encendido y verifique la presión del múltiple. La presión de gas en este punto debe ser de 2"-4" de columna de agua para gas natural y 8.5"-9.5" de columna de agua para propano líquido.

i. Apague la unidad y la válvula manual de cierre, quite el manómetro o tubo de prueba y vuelva a poner el tapón.

3. El ajuste del regulador de gas en la válvula normalmente NO ES necesario, ya que viene preajustado de fábrica. Sin embargo, si llega a ser necesario, siga las instrucciones siguientes:

a. Con una llave de tuercas hexagonales de 3/16" quite el tapón del orificio de prueba en la válvula de gas del interior de la lavadora y conecte su manómetro o tubo de prueba.

b. Con el quemador encendido, use un destornillador para ajustar la presión de gas (en el sentido de las manecillas del reloj para aumentar y en el sentido contrario a las manecillas para reducir la presión).

c. Cuando termine apague la unidad y cierre la válvula manual, vuelva a poner la tapa de ajuste, quite el manómetro o tubo de prueba y vuelva a poner el tapón.

INSTALACIÓN

LISTA DE VERIFICACIÓN PREOPERATIVA:

Antes de encender la unidad, conteste las preguntas de esta lista:

CÓDIGOS:	SÍ	NO
1. ¿Cumple la instalación eléctrica con los códigos respectivos?	—	—
2. ¿Cumple la instalación de gas con los códigos respectivos?	—	—
3. ¿Cumple el sistema de ventilación con los códigos respectivos?	—	—
LUBICACIÓN:		
1. ¿Está instalada la unidad en el interior de un edificio sobre un piso no combustible en un área seca protegida de exceso de viento, lluvia y humedad?	—	—
2. ¿Está ubicada la unidad lejos de materiales inflamables y combustibles?	—	—
3. ¿Está ubicada la unidad en un lugar suficientemente grande para tener flujo de aire adecuado?	—	—
INSTALACIÓN ELÉCTRICA:		
1. ¿Está conectada debidamente a tierra la unidad?	—	—
2. ¿Cumplen todos los componentes eléctricos de la instalación con los requisitos mostrados en la placa de especificaciones del aparato y se alimenta el voltaje correcto?	—	—
SUMINISTRO DE GAS:		
1. ¿Se usa el combustible apropiado (gas natural o propano líquido) para su módulo de calentador?	—	—
2. ¿Cumple el gas de suministro con la demanda del quemador (capacidad en BTU)?	—	—
3. ¿Se ha instalado el regulador de gas apropiado para obtener el nivel adecuado de presión y flujo?	—	—
4. ¿Es del tamaño correcto la tubería y se han verificado las conexiones de gas para detectar fugas?	—	—
5. ¿Está completamente abierta la válvula de gas?	—	—
6. ¿Hay una presión de entrada de gas de 3"-7" de columna de agua para gas natural y 8"-12" de columna de agua para propano líquido?	—	—
7. ¿Son suficientemente grandes los tanques de propano (si corresponde) para evitar congelación de acuerdo con la capacidad de la unidad?	—	—
VENTILACIÓN:		
1. ¿Se han empleado los tubos y campana de tamaño adecuado para el escape?	—	—
2. ¿Hay ventilación adecuada para la combustión del quemador?	—	—
3. ¿Está adecuadamente ventilada la unidad para permitir un flujo de aire apropiado?	—	—
4. ¿Está entubada la línea de escape hasta llegar al exterior del edificio?	—	—
GENERAL:		
1. ¿Han leído todos los operadores de esta unidad el manual de instalación y operación y entendido todas las advertencias de seguridad?	—	—
2. ¿Ha sido instalada la unidad por técnicos capacitados que siguieron las instrucciones del manual de instalación y operación?	—	—
3. ¿Existe un suministro de agua abundante?	—	—

SI SE MARCA NO EN CUALQUIERA DE ESTAS PREGUNTAS, CORRIJA LA SITUACIÓN ANTES DE OPERAR ESTE APARATO DE GAS.



PREPARACIÓN

VESTIMENTA:

1. Es esencial usar ropa adecuada para su seguridad. Se recomienda utilizar los medios necesarios para proteger ojos, oídos y piel. Puede requerirse equipo de seguridad adicional (como mascarilla respiratoria) cuando se usan detergentes limpiadores con este módulo de calentador.



DANGER

¡RIESGO DE EXPLOSIÓN O INCENDIO!

TRATE DE PERCIBIR OLOR A GAS ANTES DE ENCENDER LA UNIDAD. DEBE OLER ALREDEDOR DEL ÁREA DE LA MÁQUINA PARA DETECTAR OLOR A GAS. ASEGURESE DE OLER CERCA DEL PISO, YA QUE ALGUNOS GASES SON MÁS PESADOS QUE EL AIRE Y SE ASIENTAN POR EL PISO.

SI PERCIBE OLOR A GAS:

- NO ENCIENDA LA UNIDAD.
- NO OPERE NINGUN INTERRUPTOR ELÉCTRICO.
- NO ENCIENDA NINGÚN APARATO.
- NO USE TELÉFONOS DE ÁREAS CERCANAS.
- ABANDONE EL ÁREA, VAYA A OTRO LUGAR Y USE EL TELÉFONO PARA LLAMAR A SU PROVEEDOR DE GAS.
- SIGA LAS INSTRUCCIONES DEL PROVEEDOR DE GAS.
- SI NO PUEDE COMUNICARSE CON SU PROVEEDOR DE GAS, LLAME AL DEPARTAMENTO DE.

PRE-ENCENDIDO:

1. Antes de encender, trate de oler alrededor de la máquina para detectar gas. Debe oler especialmente por el piso, ya que algunos gases son más pesados que el aire y se asientan. No opere el aparato si percibe olor a gas. Abandone ese lugar y comuníquese con un técnico capacitado de servicio.
2. Verifique que de "voltaje" esté encendida.

INSPECCIÓN DE SEGURIDAD ANTES DEL ENCENDIDO:

1. Antes de encender la unidad, siga los siguientes pasos de inspección:
 - a. Busque olor de gas. Si detecta olor de gas, ¡NO ENCIENDA EL APARATO! Vea la sección de advertencias de "Riesgo de explosión o incendio" en la página 48.
 - b. Revise todas las conexiones de mangueras para asegurarse que estén firmemente apretadas.
 - c. Inspeccione el sistema para detectar fugas de agua o aceite.
 - d. Inspeccione el sistema para detectar torceduras, cortaduras o fugas en las mangueras de alta presión. Si encuentra una cortadura o fuga, ¡NO USE LA MANGUERA! Cambie la manguera antes de encender el aparato. Vea la sección de advertencias de "Riesgo de inyección" en la página 51. Asegúrese de reemplazar todas las piezas dañadas y corregir los problemas mecánicos antes de operar el aparato. Si requiere servicio, comuníquese a la oficina de servicio a clientes.



ADVERTENCIA



LAS SIGUIENTES PÁGINAS CONTIENEN INSTRUCCIONES SOBRE LA OPERACIÓN Y EL MANTENIMIENTO.

NO INTENTE OPERAR ESTE MÓDULO DE CALENTADOR HASTA QUE HAYA LEÍDO Y COMPRENDIDO TODAS LAS PRECAUCIONES E INSTRUCCIONES DE SEGURIDAD SEÑALADAS EN ESTE MANUAL. SIGA INSTRUCCIONES DE MANTENIMIENTO QUE ESPECIFICAR EN ESTA MANUAL.

¡LA OPERACIÓN INCORRECTA DE ESTA UNIDAD PUEDE CAUSAR LESIONES GRAVES!

¡NO ALTERE NI MODIFIQUE ESTE EQUIPO DE NINGUNA MANERA!

INSTRUCCIONES DE OPERACIÓN



PRECAUCIÓN

RIESGO DE DAÑO A LA UNIDAD
ASEGÚRESE QUE NO ESTÉN CONECTADAS LA MANGUERA, LA PISTOLA O LA BOQUILLA CUANDO SE ESTÉ PURGANDO EL SISTEMA. AL PURGAR SE LIBERAN DEPÓSITOS MINERALES DEL SISTEMA, LOS CUALES PODRÍAN OBSTRUIR O DAÑAR LA PISTOLA Y LA BOQUILLA, REQUIRIENDO REPARACIONES COSTOSAS.

Una vez que un técnico capacitado haya instalado el aparato y usted haya completado la lista de verificación preoperativa en la página 60, ya está listo para la operación. Los siguientes pasos le ayudarán a operar su máquina con seguridad.

ENJUAGUE DEL SISTEMA:

1. Esta unidad tiene un serpentín de acero en el que se torna marrón o negra el agua residual del uso previo. Debe evacuarse y enjuagarse el sistema antes de encenderlo. No haga este procedimiento sin instalación de pistola y lanza.
 - a. Sujete la manguera de jardín a la maquina.
 - b. Encendido de suministro de agua.
 - c. Funcione agua por 3-5 minutos.
 - d. Apague suministro de agua cuando agua claro sea descargado de serpentín.



ADVERTENCIA

RIESGO DE QUEMADURAS
LA TEMPERATURA DE AGUA PODRÍA SER MUY CALIENTE DURANTE OPERACIÓN. SEA CUIDADOSO CUANDO AJUSTE LA PRESIÓN Y CONTROLE EL CONJUNTO DE PISTOLA Y VARILLA.

OPERACIÓN CON AGUA CALIENTE:

1. Aprete en interruptor de quemador para encender el quemador. Al inicio de encendido el agua comenzará a calentarse en 60 segundos aproximadamente y alcanzará su temperatura máxima en 3 minutos aproximadamente, siempre y cuando se mantenga oprimido el gatillo de la pistola. El quemador se apagará cuando se suelte el gatillo.
2. Ajuste el termostato en la regulación deseada.

En este punto, la unidad está operando como este módulo de calentador de agua caliente. Recuerde ser extremadamente cuidadoso cuando ajuste la presión y controle el conjunto de pistola y varilla para evitar la posibilidad de quemaduras.



IMPORTANTE

CUANDO EL AGUA FRIO ESTÁ BOMBEANDO EN INTERCAMBIADOR DE CALOR Y EL QUEMADOR ESTA ENCENDIDO, CONDENSACIÓN PODRÍA FORMAR EN EL SERPENTÍN Y GOTEAR. ESTE DARÁ LA APARICIÓN DE SERPENTÍN AGUJERADO ESPECÍFICAMENTE EN TIEMPO FRIO Y HÚMEDO.

NOTA: *El quemador está equipado con un dispositivo de seguridad que cierra el gas. Si el piloto no enciende en 60 segundos, la válvula de gas se cierra (OFF). Simplemente suelte el gatillo por otros 60 segundos y repita este paso. Durante la operación, el quemador puede apagarse y encenderse ocasionalmente, debido a la regulación del termostato.*

APAGADO:

1. Si el interruptor del quemador está todavía encendido, apáguelo.
2. Apriete el gatillo y descargue agua por unos tres minutos para enfriar el intercambiador de calor y la manguera de alta presión (el enfriamiento insuficiente de la manguera de alta presión causará desgaste excesivo y rotura eventual de la manguera).
3. Mueva interruptor de bomba a posición de "OFF" para parar la unidad de bomba. Si la maquina tiene la opción de apagarse de encendido retardada, espere para un descanso de reloj automático y apague la maquina. Vea abajo para más información de apagarse de encendido retardada.
4. Oprima el gatillo de la pistola momentáneamente para liberar la presión atrapada.

MANTENIMIENTO

MANTENIMIENTO PREVENTIVO:

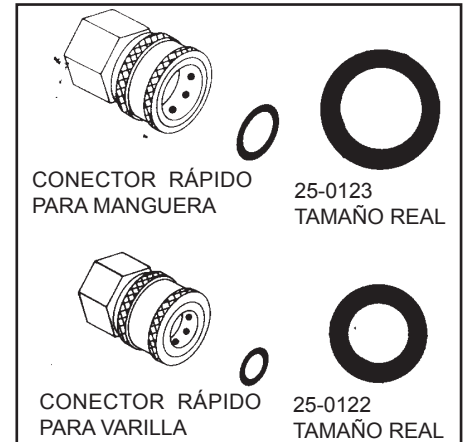
FUGAS: Elimine con prontitud cualquier fuga que encuentre en el sistema de bombeo removiendo las piezas sospechosas y aplicando sellador en las roscas antes de reinstalar.

NOTA: Si usa cinta de teflón, asegúrese que no entre cinta a la tubería para prevenir la posibilidad de taponamientos en las boquillas.

ACOPLADORES RÁPIDOS: Hay sellos anulares (o-ring) dentro de los acopladores, los cuales se pueden deteriorar. Para cambiarlos, simplemente instale un sello de repuesto para corregir la fuga. Puede adquirir sellos anulares con su distribuidor.

BOQUILLA: El flujo del agua a través de la boquilla erosiona el orificio, agrandándolo y causando como resultado pérdida de presión. Deben cambiarse las boquillas siempre que la presión baje a menos del 85% del máximo. La frecuencia de reemplazo depende de variables como el contenido de minerales en el agua y el número de horas que se usa la boquilla.

ACOPLADORES RÁPIDOS



ACONDICIONAMIENTO PARA BAJAS TEMPERATURAS:

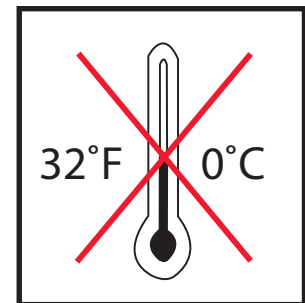
Para propósitos de almacenamiento y transportación a temperaturas inferiores a la de congelación, es necesario acondicionar esta unidad. Debe protegerse para las más bajas temperaturas posibles, por las siguientes razones:

1. Si alguna parte de sistema de manejo agua se fría; presión excesiva puede acumular en la unidad cual causaría romperse de unidad resultando en posibilidad de lesiones graves a operador o transeúntes.
2. La sistema de manejo de agua en esta unidad sera dañado permanente si se fria. **DAÑO DE FRIARSE NO ES UNA PARTE DE GUARANTYA.**

Si debe almacenar la unidad en un área en la que la temperatura pueda descender más allá de 32° F (0° C), puede proteger la unidad siguiendo uno de los procedimientos descritos abajo.

AIR BLOW OUT:

1. Quite la boquilla de asamblea de varilla. Aprete el gatillo hasta agua venga a la salida de asamblea de varilla.
2. Conecte una instalación de aire de manguera de aire a entrada del módulo de calentador.
3. Agregue aire comprimido entre sistema para quitar todo agua de la sistema.



MANTENIMIENTO

CUADRO DE MANTENIMIENTO PREVENTIVO PARA EL OPERADOR

PROCEDIMIENTO	DIARIAMENTE
Inspección de fuga de gas	X
Inspección de fuga de agua	X
Inspección de conectores y mangueras	X

CUADRO DE MANTENIMIENTO PARA EL DISTRIBUIDOR

PROCEDIMIENTO	12 MESES
Inspección de suministro de gas	X
Limpieza de tubo de goteo de línea de gas	X
Inspección del quemador	X
Inspección de ventilación de escape	X
*Desincrustación del serpentín	X
*La acumulación de incrustaciones variará dependiendo del contenido de minerales en el agua y la frecuencia de uso. Puede variar desde una limpieza cada mes hasta una limpieza cada año.	

DIAGNÓSTICO Y SOLUCIÓN DE FALLAS

SEÑAL DE FALLA	CAUSA PROBABLE	SOLUCIÓN
Antes de encender, se percibe olor a gas alrededor de la máquina.	Hay fuga de gas.	Vaya a otro edificio y llame a su proveedor de gas para pedir instrucciones, o si no puede localizar a su proveedor de gas, llame al departamento de bomberos.
El quemador no enciende.	<p>El interruptor del quemador no está en la posición de encendido (ON).</p> <p>La perilla del termostato está en la posición cerrada (OFF).</p> <p>La pistola está cerrada.</p> <p>Falla de la vacío o posición del interruptor.</p> <p>Se activó el cierre automático de seguridad de la válvula.</p> <p>Suministro de gas inadecuado.</p> <p>Obstrucción de la línea de gas.</p> <p>Falla del módulo de ignición.</p> <p>Falla de la válvula de gas.</p>	<p>Verifique la posición del interruptor.</p> <p>Verifique la posición de la perilla del termostato.</p> <p>Abra la pistola para crear presión.</p> <p>Repare o reemplace.</p> <p>Suelte el gatillo de la pistola o ponga el interruptor del quemador en la posición cerrada (OFF) por 60 segundos.</p> <p>Revise el suministro de gas.</p> <p>Verifique la presión del gas.</p> <p>Reemplace el módulo.</p> <p>Reemplace el módulo.</p>
Gotea agua bajo el serpentín del intercambiador de calor.	<p>Condensación.</p> <p>Rotura en el serpentín del intercambiador de calor.</p>	<p>Es común que ocurra (vea la nota "IMPORTANTE" de la página 62).</p> <p>Reemplace el serpentín.</p>

NOTE

DECLARACIÓN DE GARANTÍA PARA TODAS LAS SERIE HGM DE GAS NATURAL Y PROPANO LÍQUIDO PARA MÓDU- LO DE CALENTADOR CON AGUA CALIENTE

El fabricante garantiza todas las piezas (excepto las piezas a las cuales se hace referencia más abajo) de su nuevo módulo de calentador contra defectos en sus materiales o su manufactura durante los períodos siguientes:

Por cinco (5) años a partir de la fecha original de compra:
El serpentín del intercambiador de calor

Por dos (2) años a partir de la fecha original de compra:
Protecciones o guardas Tubería
Marcos Poleas

Por un (1) año a partir de la fecha original de compra:
Válvula de gas Control de ignición
Termostato ajustable Transformador de control

Por noventa (90) días a partir de la fecha original de compra:
Interruptor de flujo Termostato de límite arriba
Asamblea de arranque

Por treinta (30) días a partir de la fecha original de compra:
Manguera de alta presión Coladores/Filtros

Durante el período de garantía, se repararán o reemplazarán a discreción las piezas defectuosas que no estén sujetas a un desgaste normal. El reembolso en cualquier caso se limitará al precio de compra.

EXCLUSIONES

1. Esta garantía no cubre piezas dañadas a causa de desgaste normal, aplicación incorrecta, uso incorrecto, u operación a velocidades, presiones o temperaturas diferentes a las recomendadas. Tampoco se garantizan las piezas dañadas o desgastadas debido al uso de líquidos cáusticos o a la operación en ambientes abrasivos o corrosivos, o bajo condiciones que causen cavitación de la bomba. También se anula la garantía si no se siguen los procedimientos recomendados de operación y mantenimiento.
2. El uso de piezas que no sean genuinas anulará la garantía. Las piezas enviadas con porte prepago a la fábrica o a un centro de servicio autorizado serán inspeccionadas y reemplazadas sin cargo alguno si se encuentran defectuosas y están cubiertas por la garantía. No hay otras garantías que se extiendan más allá de la descripción presentada aquí. Manufacturer no será responsable bajo ninguna circunstancia por pérdida de uso del aparato, pérdida de tiempo o renta, inconveniencia, pérdida comercial o daños consecuentes.

