



Performance Under Pressure

PARTS LIST FOR
WC-150-OME3
WATER CANNON

Congratulations on the purchase of your new Mi-T-M Water Cannon! This parts listing has been compiled for your benefit. You can be assured your Mi-T-M Water Cannon was constructed and designed with quality and performance in mind. Each component has been rigorously tested to insure the highest level of acceptance.

The contents of this parts listing are based on the latest product information available at the time of publication. Mi-T-M reserves the right to make changes in price, color, materials, equipment, specifications or models at any time without notice.

WARNING

THIS IS A PROFESSIONAL CLEANING SYSTEM. CAUTION SHOULD BE OBSERVED WHEN USING OR REPAIRING THIS UNIT! READ AND FOLLOW THE SAFETY WARNINGS LISTED BELOW BEFORE ATTEMPTING ANY REPAIRS ON THIS WATER CANNON!

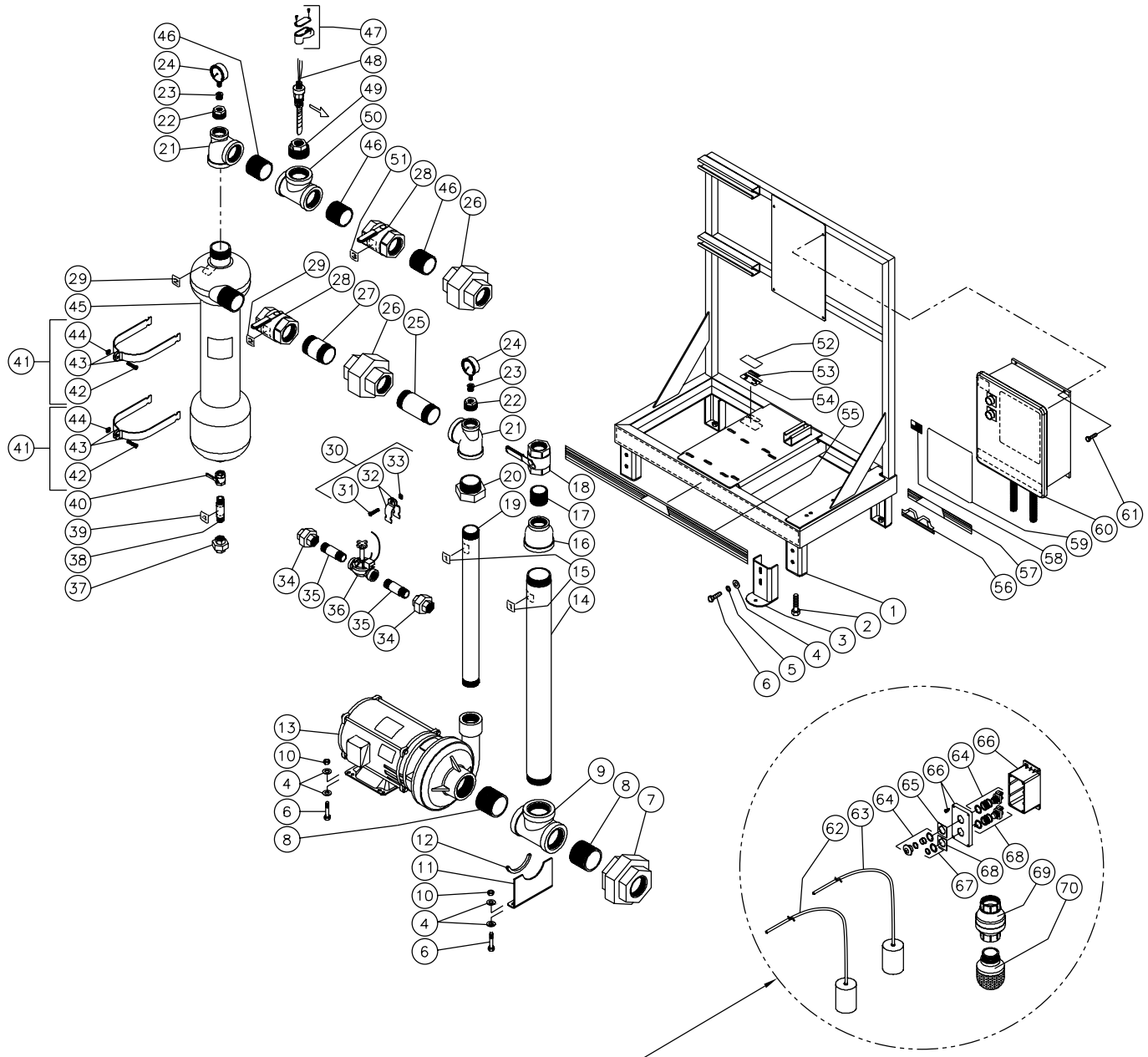
SAFETY WARNINGS

1. Serious injury or death could occur if the Water Cannon (Power Supply) is not properly grounded. Your Water Cannon is powered by electricity and may cause electric shock or electrocution if not installed properly. Installation to this unit, including all electrical connections, must comply with all local, state and national codes. Any electrical wiring or repairs performed on this Water Cannon should be done by Authorized Service Personnel in accordance with National and Local electrical codes.
2. NEVER alter or modify the equipment. Use only genuine Mi-T-M parts for repair of your Water Cannon. Failure to do so can cause hazardous operating conditions and will VOID warranty.
3. Know how to stop and bleed pressures quickly. Be thoroughly familiar with controls. Do not operate without protective gear. Follow the maintenance instructions specified in your operator's manual.
4. Before servicing, ALWAYS shut off the water and the unit. NEVER assume the Water Cannon is safe to work on just because it is not operating. It could restart at any time! ALWAYS disconnect from the power source.

Table of Contents

MAIN ASSEMBLY	4
CENTRIFUGAL PUMP (3-2002).....	6
CONTROL PANEL (208V/230V).....	8
ELECTRICAL SCHEMATIC (208V/230V)	10
ELECTRICAL DIAGRAM (208V/230V)	11
WX-0003 VOLTAGE OPTION (460V)	12
WX-0003 ELECTRICAL SCHEMATIC (460V).....	13
WX-0003 ELECTRICAL DIAGRAM (460V).....	13
WC-150-0ME3 ACCESSORIES.....	14

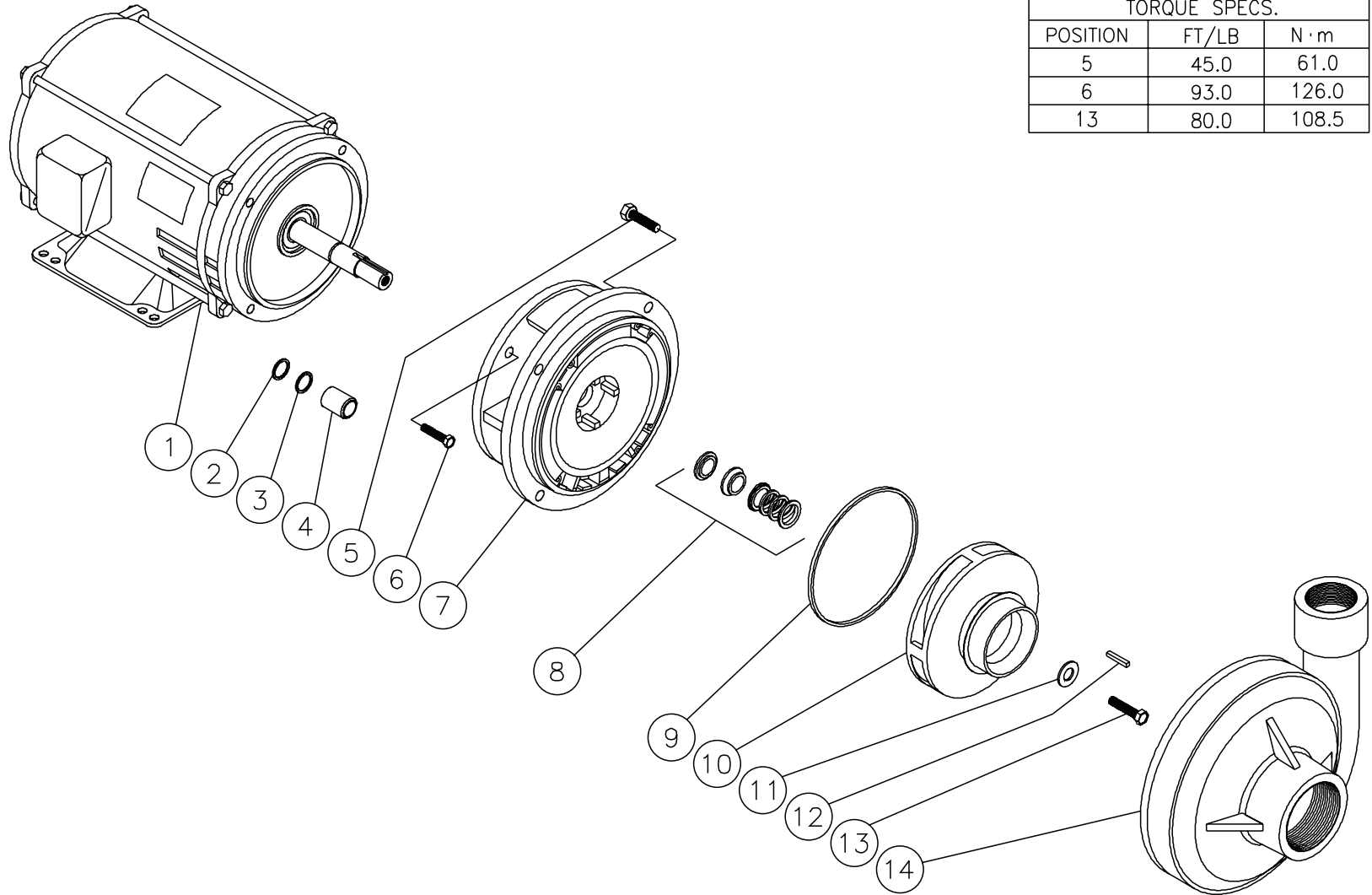
MAIN ASSEMBLY



INSTALLED AT LOCATION.

MAIN ASSEMBLY											
REF. #	DESCRIPTION	PART#	QTY.	REF. #	DESCRIPTION	PART#	QTY.	REF. #	DESCRIPTION	PART#	QTY.
1	Frame Assembly	5-0141A01	1	25	Nipple	24-0211	1	49	Bushing	24-0234	1
2	Bolt	27-0218	4	26	Union	24-0230	2	50	Tee	24-0232	1
3	Leveler Foot	20-0502A01	4	27	Nipple	24-0210	1	51	Decal- Number 3	34-0968	1
4	Washer	28-0023	20	28	Ball Valve	22-0289	2	52	Decal- Clear Laminate	N/A	1
5	Lock Washer	29-0008	8	29	Decal- Number 2	34-0967	2	53	Decal- Serial Number	N/A	1
6	Bolt	27-0118	14	30	Clamp (Includes 31-33)	42-0031	1	54	Decal- Data Plate	N/A	1
7	Union	24-0231	1	31	Bolt	27-0017	1	55	Decal- Mi-T-M Stripew/ Logo	34-0725	1
8	Nipple	24-0203	2	32	Clamps (See 42-0031)	N/A Sep.	2	56	Logo- Mi-T-M Gold	62-0087	1
9	Tee	24-0225	1	33	Nut	30-0155	1	57	Decal- Mi-T-M Stripe	34-0502	1
10	Nut	30-0159	6	34	Union	24-0228	2	58	Decal- American Flag	34-0521	1
11	Plumbing Support Bracket	20-0504A01	1	35	Nipple	24-0208	2	59	Decal- Warning/Caution/Operation	34-0970	1
12	Edging *(One Foot Required)	33-0020	1	36	Solenoid Valve	55-0019	1	60	Control Panel Assembly (See pg. 8)	N/A Sep.	1
13	Centrifugal Pump	3-2002	1	37	Union	24-0227	1	61	Bolt	27-8898	5
14	Pipe	24-0216	1	38	Nipple	24-0205	1	62	Switch- Blue	32-0528	1
15	Decal- Number 1	34-0966	2	39	Decal- Number 4	34-0969	1	63	Switch- Red	32-0530	1
16	Reducer Coupling	24-0195	1	40	Ball Valve	22-0279	1	64	Switch- Stop	32-0608	1
17	Nipple	24-0201	1	41	Clamp (Includes 42-44)	42-0032	2	65	Legend- Stop	32-0609	1
18	Ball Valve	22-0288	1	42	Bolt	27-0118	2	66	Electrical Cover	32-0605	1
19	Pipe	24-0213	1	43	Clamp (See 42-0032)	N/A Sep.	4	67	Switch- Start	32-0606	1
20	Bushing	24-0192	1	44	Nut	30-0159	2	68	Legend- Start	32-0607	1
21	Drain "T"	24-0221	2	45	Filter	19-2002	1	69	Check Valve	55-1887	1
22	Bushing	24-0189	2	46	Nipple	24-0202	3	70	Filter Screen	19-2004	1
23	Bushing	23-0056	2	47	Condulet	32-0642	1	*Must Order in One Foot Lengths			
24	Guage	22-0292	2	48	Adjustable Flow Switch	32-0641	1				

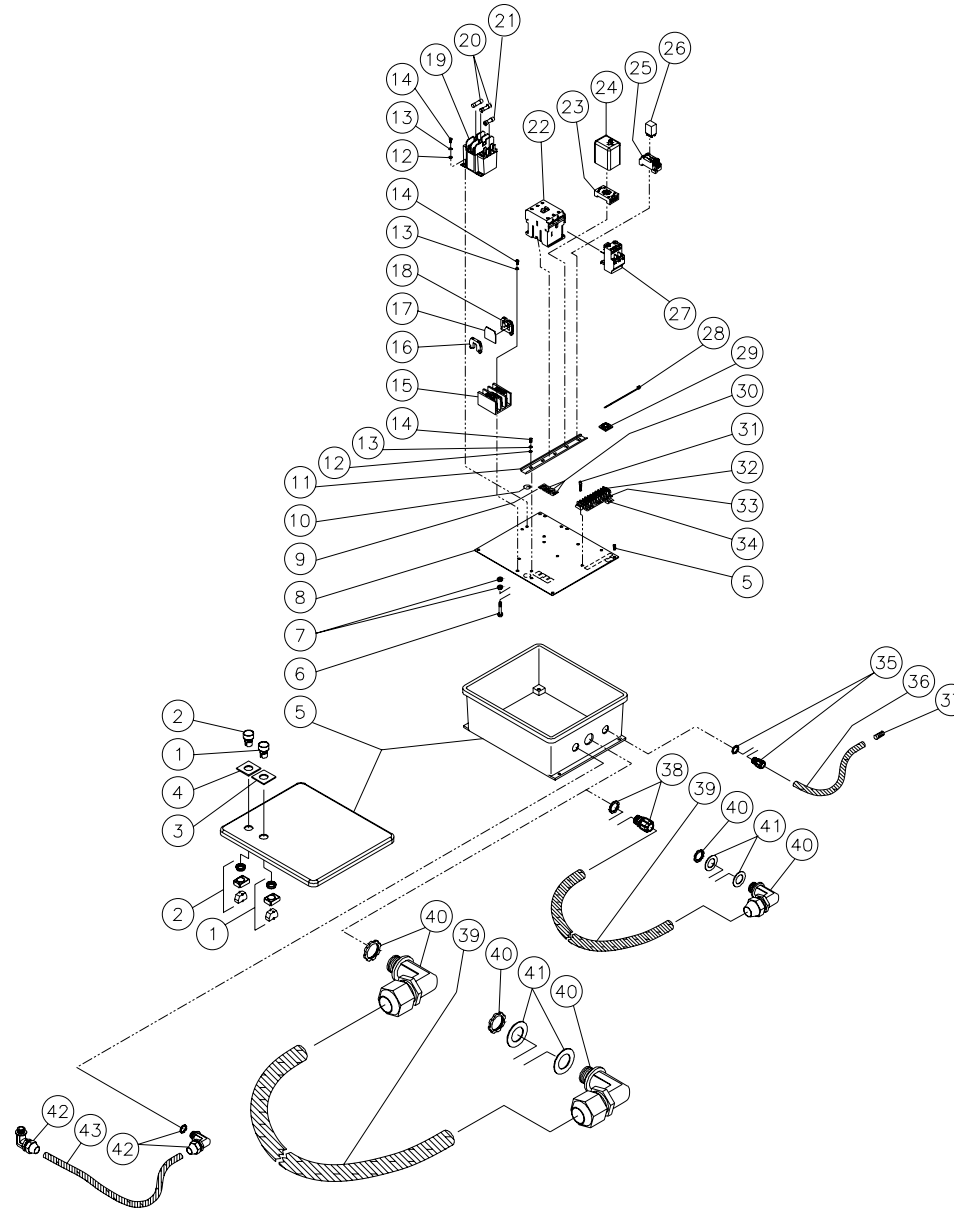
CENTRIFUGAL PUMP (3-2002)



TORQUE SPECS.		
POSITION	FT/LB	N · m
5	45.0	61.0
6	93.0	126.0
13	80.0	108.5

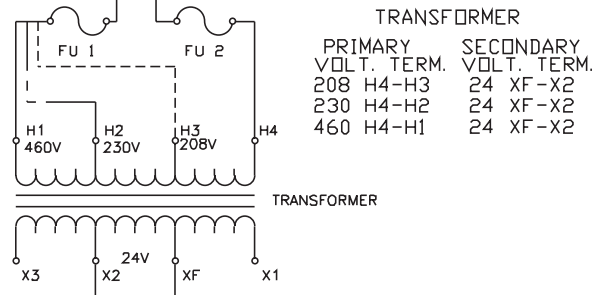
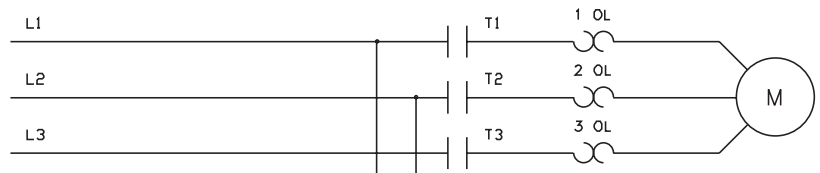
CENTRIFUGAL PUMP (3-2002)								
REF. #	DESCRIPTION	PART #	QTY.		REF. #	DESCRIPTION	PART #	QTY.
1	Motor- 15HP	2-0104	1		9	O-ring	25-0487	1
2	O-ring	25-0484	1		10	Impeller	46-0855	1
3	O-ring Sleeve	25-0485	1		11	Impeller Washer	28-1036	1
4	Seal Sleeve	46-0865	1		12	Square Key	43-0082	1
5	Bolt	27-8951	8		13	Bolt	27-8953	1
6	Bolt	27-8955	4		14	Case	46-0858	1
7	Bracket	46-0863	1			Kit- Pump End (Includes 2-14)	70-0285	
8	Mechanical Seal	46-0860	1					

CONTROL PANEL (208V/230V)



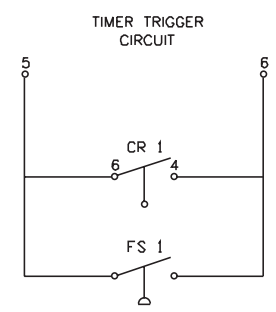
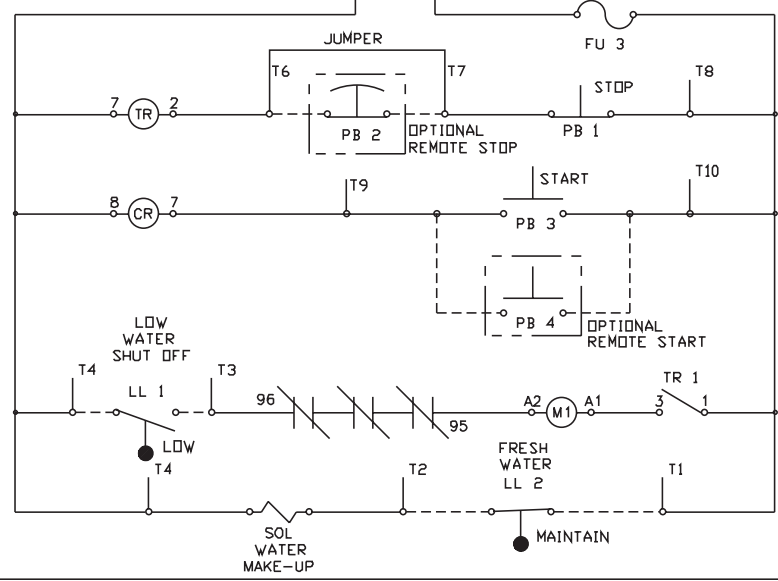
CONTROL PANEL (208V/230V)							
REF. #	DESCRIPTION	PART#	QTY.	REF. #	DESCRIPTION	PART#	QTY.
1	Switch- Start	32-0534	1	24	Timer	32-0314	1
2	Switch- Stop	32-0610	1	25	Base Socket	32-0321	1
3	Legend- Start	32-0612	1	26	Relay	32-0320	1
4	Legend- Stop	32-0611	1	27	Over Load Relay	32-0490	1
5	Control Box	32-046201	1	28	Cable	32-0021	15
6	Bolt	27-8898	1	29	Mounting Base	32-0621	6
7	Nut	30-3022	2	30	Decal- 208 Volt	34-0896	1
8	Control Panel	20-0507A14	1	-	Decal- 230 Volt	34-0895	1
9	Decal- 3 Phase	34-0965	1	31	Bolt	27-8930	2
10	Decal- Ground	34-0889	1	32	Terminal Block	32-0614	1
11	Din Rail *(One Foot Required)	32-0316	1	33	Decal- Terminal Strip 1-10	34-0958	1
12	Washer	28-0010	7	34	Decal- 24 Volt	34-0894	1
13	Washer	28-1009	11	35	Conduit- Straight	32-0255	1
14	Bolt	27-8835	9	36	Conduit- Flexible *(Two Feet Required)	33-0253	1
15	Power Distribution Block	32-0613	1	37	Heat Shrink	32-0219	1
16	Terminal Block Anchor	32-0616	2	38	Conduit- Straight	32-0488	1
17	Terminal Block End	32-0617	1	39	Conduit- Flexible *(Two Feet Required)	32-0486	1
18	Terminal Block	32-0615	3	40	Conduit Elbow	32-0487	1
19	Transformer	32-0618	1	41	Washer	32-0603	2
20	Fuse- 600 Volt	32-0469	2	42	Conduit- Flexible *(Four Feet Required)	32-0253	1
21	Fuse- 125 Volt	32-0619	1	43	Conduit Elbow	32-0254	2
22	Contactor	32-0598	1	*Must Order in One Foot Lengths			
23	Base Socket	32-0315	1				

ELECTRICAL SCHEMATIC (208V/230V)



TRANSFORMER


PRIMARY VOLT. TERM.	SECONDARY VOLT. TERM.
208 H4-H3	24 XF-X2
230 H4-H2	24 XF-X2
460 H4-H1	24 XF-X2



REMOVE JUMPER FROM T6 TO T7 WHEN WIRING REMOTE

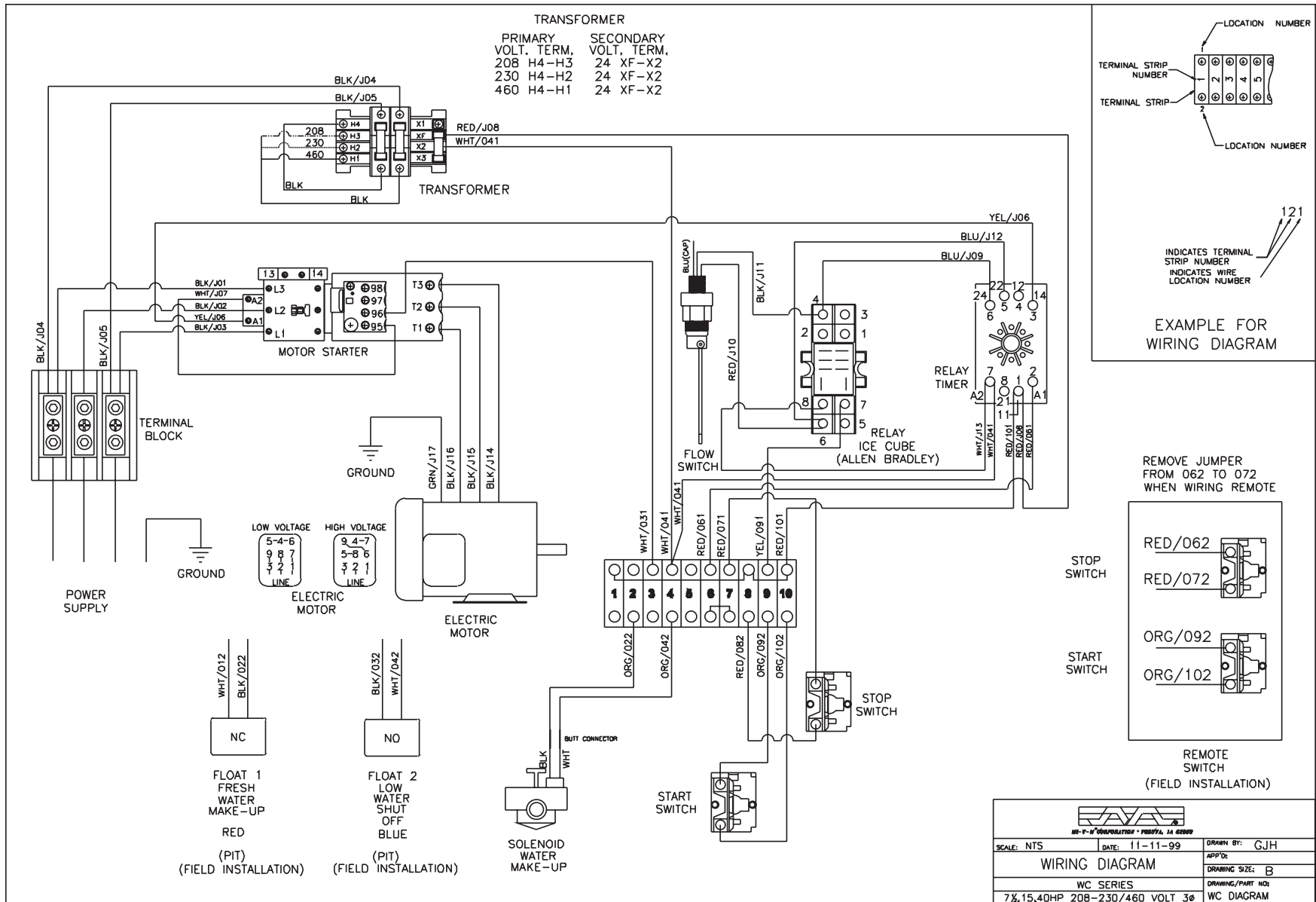
LEGEND

- FS = FLOW SWITCH
- LL = LIQUID LEVEL
- CR = CONTROL RELAY
- TR = TIMER RELAY
- T = TERMINAL
- OL = OVER LOAD
- FU = FUSE
- PB = PUSH BUTTON
- SOL = SOLENOID
- M1 = MOTOR STARTER
- FIELD WIRING

 <small>MI-T-M CORPORATION • PEOPTA, IA 52068</small>		
SCALE: NTS	DATE: 4-26-00	DRAWN BY: DCE
LADDER DIAGRAM		APP'D:
WC SERIES		DRAWING SIZE: B
7 1/2, 15, 40HP 208-230/460 VOLT 3Ø		DRAWING/PART NO:
		WC LADDER DIA

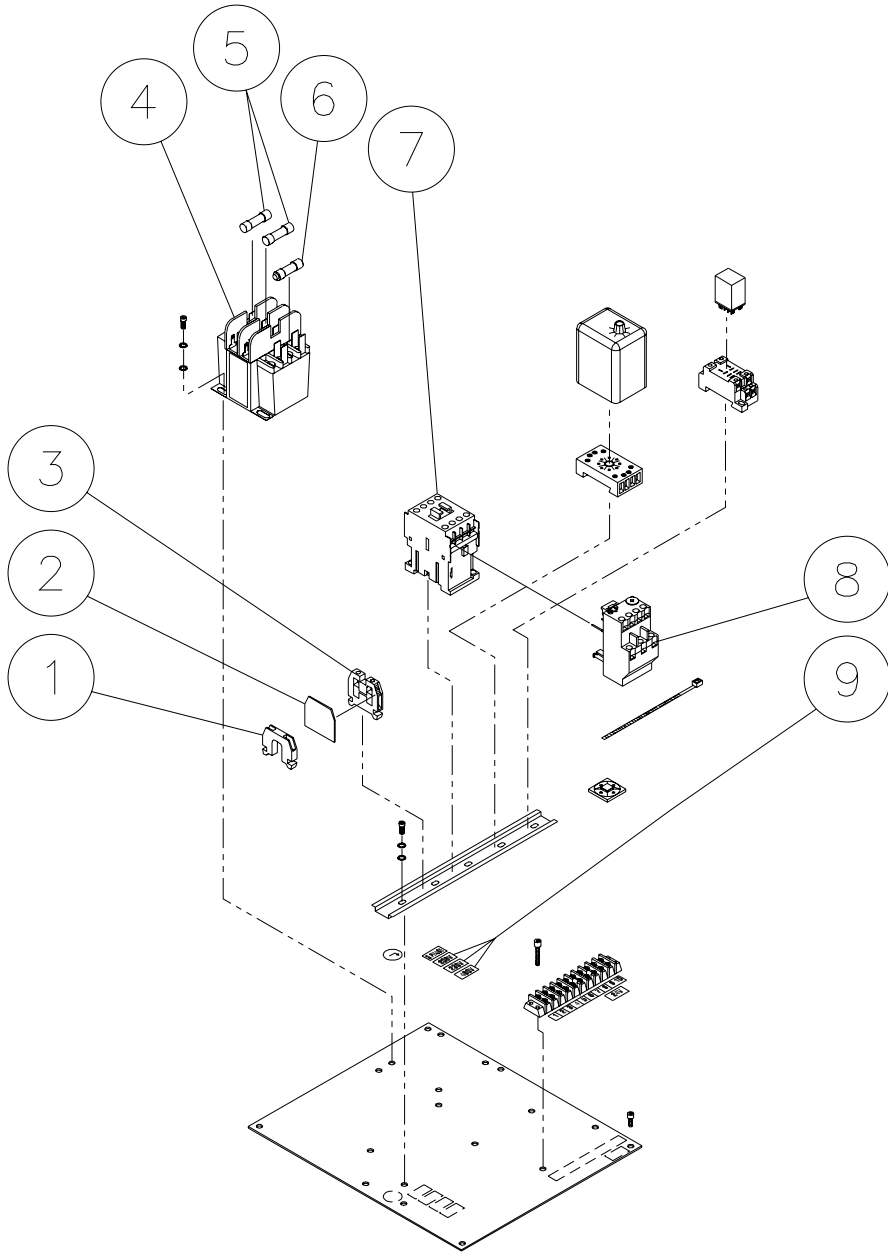
WC-SCHEMATIC-A-042600-JJ

ELECTRICAL DIAGRAM (208V/230V)



WC DIAGRAM-A-042600-JJ

WX-0003 VOLTAGE OPTION (460V)

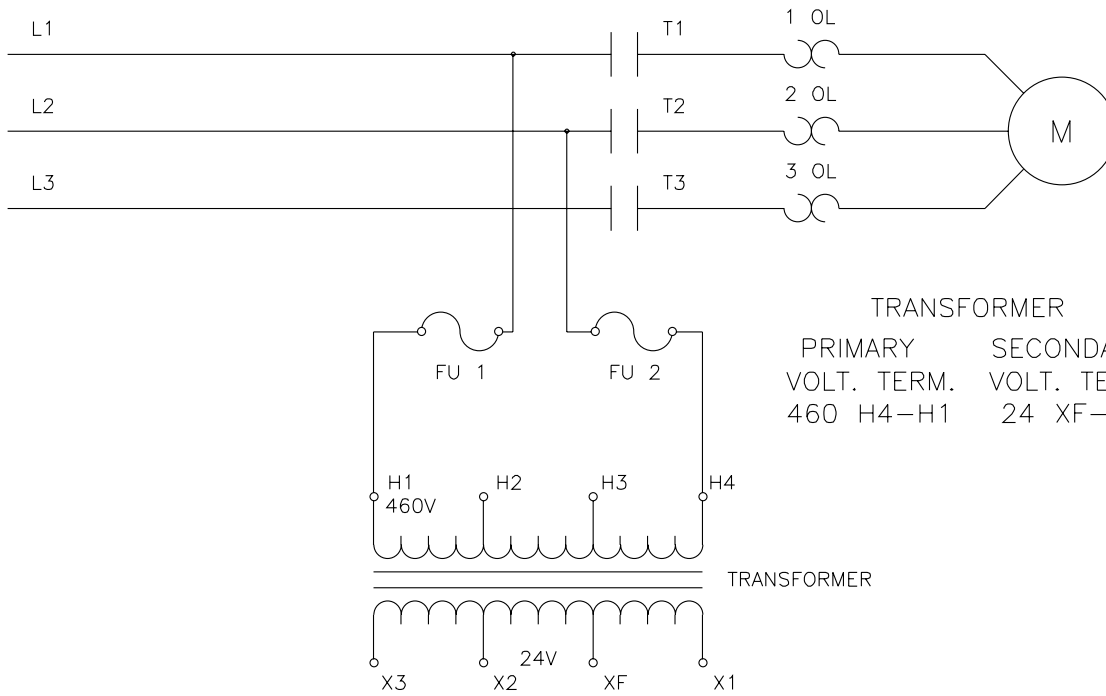


WX-0003-060399-DCE

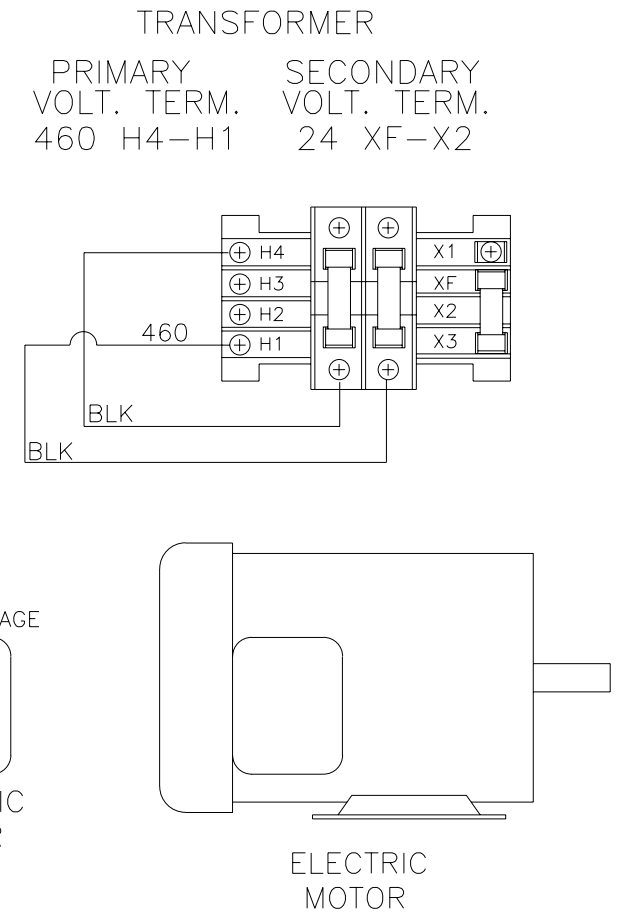
WX-0003 VOLTAGE OPTION (460V)			
REF. #	DESCRIPTION	PART#	QTY.
1	Terminal Block Anchor	32-0616	2
2	Terminal Block End	32-0617	1
3	Terminal Block	32-0615	3
4	Transformer	32-0313	1
5	Fuse- 600 Volt	32-0325	2
6	Fuse- 250 Volt	32-0323	1
7	Contactor	32-0597	1
8	Over Load Relay	32-0483	1
9	Decal- 460 Volt	34-0898	1

WX-0003-060399-DCE

WX-0003 ELECTRICAL SCHEMATIC (460V)



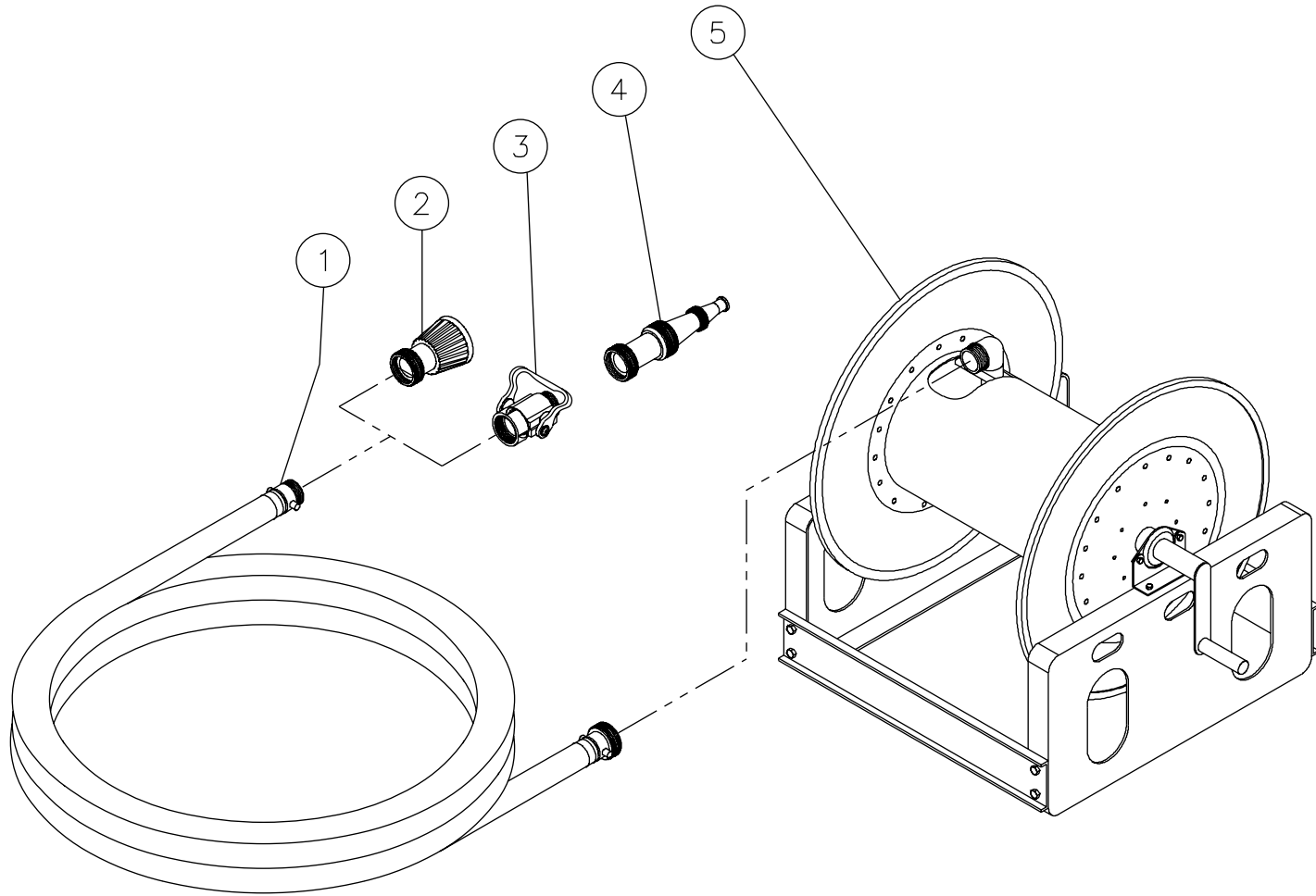
WX-0003 ELECTRICAL DIAGRAM (460V)



WC-SCHEMATIC-B-051999-DCE

WC-DIAGRAM-B-051999-DCE

WC-150-0ME3 ACCESSORIES



WC-150 ACCESSORIES-020999-DCE

WC-100 ACCESSORIES-020999-DCE

WC-100-0ME3 ACCESSORIES			
REF. #	DESCRIPTION	PART#	QTY.
1	Hose	15-2001	1
2	Nozzle- 60 PSI Twist Shut Off	18-2001	1
3	Ball Valve (Bale)	18-2007	1
4	Nozzle- Smooth Bore	18-2008	1
5	Hose Reel	50-2001	1

Manufactured by Mi-T-M
8650 Enterprise Drive, Peosta IA 52068
563-556-7484/ Fax 563-556-1235